

# RS PRO Pressure Transmitter

RS Stock No.: 2547421

## FEATURES

Pressure range: 0~1000mbar

Pressure type: Gauge

Electrical connection: Circular Aviation IEC61076-2-101

Accuracy:  $\pm 0.5\%$ FS

Process connection: G1/4A ISO 1179-2

Medium: Air, water, mixed oil or other fluids that can be compatible with wetted parts



# Pressure Transmitter

## Electrical Specifications

<b>Power supply</b>	8V~30V DC
<b>Output signal</b>	4mA~20mA
<b>Load resistor (<math>\Omega</math>)</b>	$\leq$ (power supply-8V) /0.02A
<b>Total current consumption</b>	$\leq$ 23mA
<b>Reverse polarity protection</b>	$\leq$ 20M $\Omega$ (500V DC)

## Mechanical Specifications

<b>Structure</b>	Full welded,molecular sieve
<b>Housing material</b>	Stainless steel 316L, Nylon
<b>Wetted parts</b>	Stainless steel 316L
<b>Weight</b>	$\leq$ 95g

## Accuracy

<b>Accuracy</b>	$\pm$ 0.5%FS
<b>Total error band</b>	0~50 $^{\circ}$ C $\pm$ 0.75%FS(max.)
	-10 $^{\circ}$ C~80 $^{\circ}$ C $\pm$ 1.15%FS(max.)

## Environmental Conditions

<b>Medium temperature</b>	-30 $^{\circ}$ C~85 $^{\circ}$ C
<b>Environment temperature</b>	-30 $^{\circ}$ C~85 $^{\circ}$ C
<b>Storage temperature</b>	-40 $^{\circ}$ C~100 $^{\circ}$ C

## Operation Conditions

<b>Atmospheric pressure</b>	86kPa~106kPa
<b>Vibration environment</b>	10g (@10Hz~2000Hz)
<b>Shock resistance</b>	100g/11ms
<b>Service life</b>	> 10 million times load cycle(within measuring range)
<b>Position effect</b>	$\leq$ $\pm$ 0.1%FS
<b>Installation direction</b>	Pressure port should be vertically downward

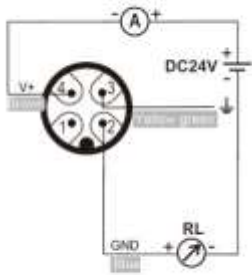
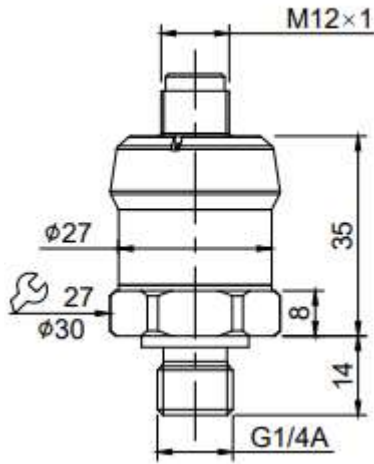
## Protection Category


**IP Rating** IP65

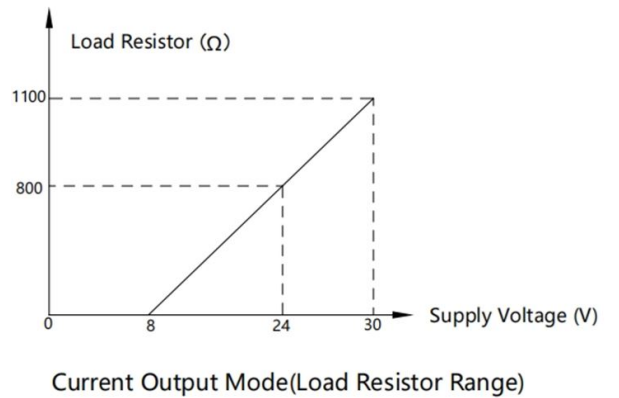
## Approvals

**Compliance/Certifications** CE,RoHS,REACH,UL

## Dimension and Wiring



	Pin	Definition
	4	V+
	2	V-
	1	Null
	⏏	Grounding



# Pressure Transmitter

