

RS PRO Pressure Transmitter

RS Stock No.: 2547409

FEATURES

Pressure range: 0~10bar

Pressure type: Gauge

Electrical connection: Circular Aviation IEC61076-2-101

Accuracy: $\pm 0.5\%FS$

Process connection: G1/4A ISO 1179-2

Medium: Air, water, mixed oil or other fluids that can be compatible with wetted parts



Pressure Transmitter

Electrical Specifications

Power supply	8V~30V DC
Output signal	4mA~20mA
Load resistor (Ω)	\leq (power supply-8V) /0.02A
Total current consumption	\leq 23mA
Reverse polarity protection	\leq 20M Ω (500V DC)

Mechanical Specifications

Structure	Full welded,molecular sieve
Housing material	Stainless steel 316L, Nylon
Wetted parts	Stainless steel 316L
Weight	\leq 95g

Accuracy

Accuracy	\pm0.5%FS
Total error band	0~50 $^{\circ}$ C \pm 0.75%FS(max.)
	-10 $^{\circ}$ C~80 $^{\circ}$ C \pm 1.15%FS(max.)

Environmental Conditions

Medium temperature	-30$^{\circ}$C~85$^{\circ}$C
Environment temperature	-30 $^{\circ}$ C~85 $^{\circ}$ C
Storage temperature	-40 $^{\circ}$ C~100 $^{\circ}$ C

Operation Conditions

Atmospheric pressure	86kPa~106kPa
Vibration environment	10g (@10Hz~2000Hz)
Shock resistance	100g/11ms
Service life	> 10 million times load cycle(within measuring range)
Position effect	\leq \pm 0.1%FS
Installation direction	Pressure port should be vertically downward

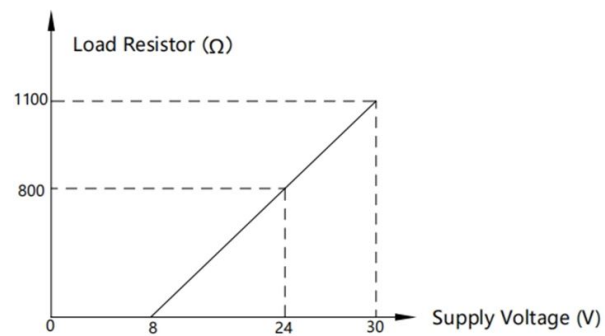
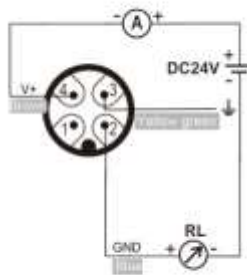
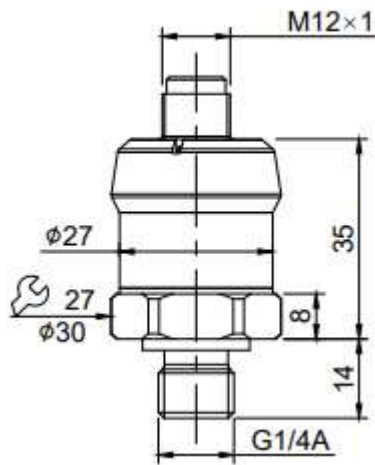
Protection Category

IP Rating IP65


Approvals

Compliance/Certifications CE,RoHS,REACH,UL

Dimension and Wiring



Current Output Mode(Load Resistor Range)

	Pin	Definition
	4	V+
	2	V-
	1	Null
	⏏	Grounding