

This document is the property of Amphenol Corporation and is delivered on the express condition that it is not to be disclosed, reproduced or used, in whole or in part, for manufacture or sale by anyone other than Amphenol Corporation without the express written consent of Amphenol Corporation. No license is granted to disclose or to use any information in this document.

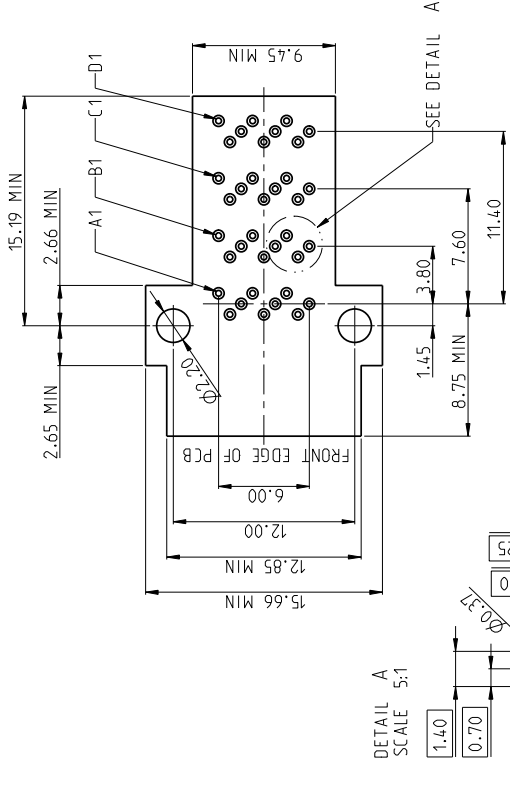
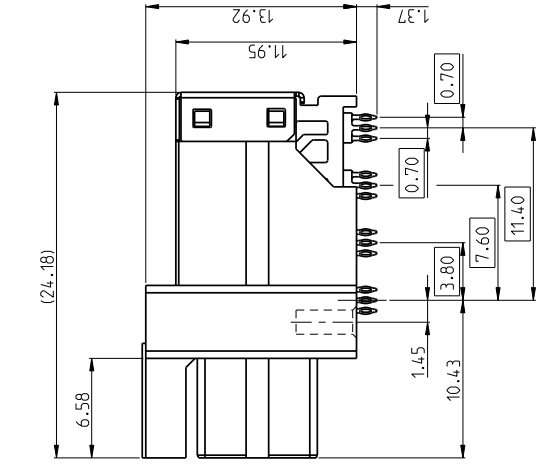
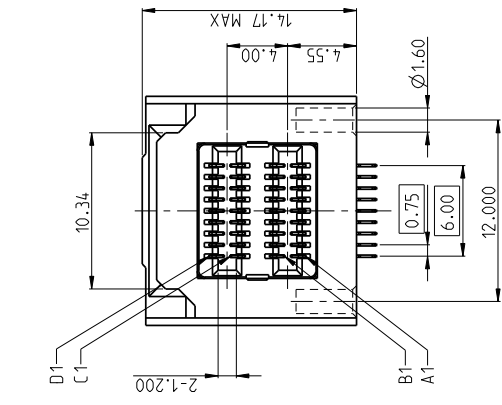
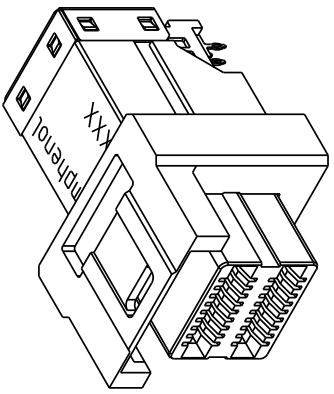
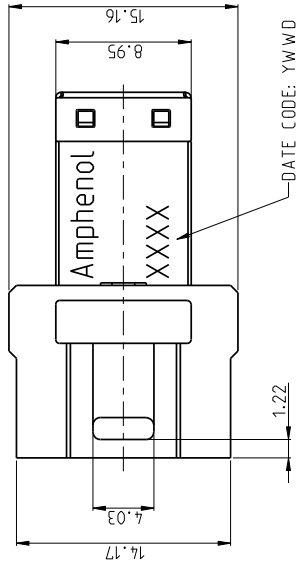
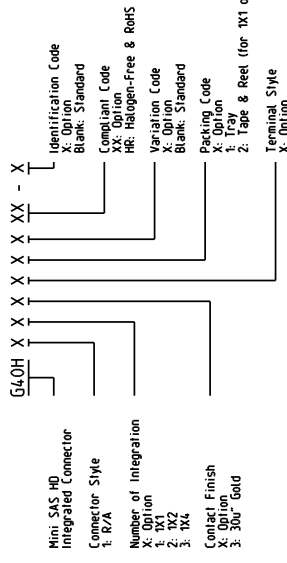
This marking on this product designates RoHS compliant hazardous materials. Material Specification SS-00259 for SMD (SIP compliant) or per directive 2011/65/EU for RoHS compliant or per IEC 61249-2-21 for Halogen-Free compliant.

**ORIGINAL**

SYM	ECN No.	REVISIONS	DATE	BY
A	NA	RELEASE	04/03/2013	HANK HSU
B	ME-13092	DRAWING UPDATE	06/26/2013	HANK HSU



**PART NUMBER SYSTEM**



RECOMMENDED PCB LAYOUT ALL TOLERANCES ARE ±0.05

DETAIL A SCALE 5:1

**NOTES:**

- INSULATOR: HIGH TEMPERATURE THERMOPLASTIC UL94V-0, COLOR: BLACK
- TERMINAL: COPPER ALLOY CONTACT AREA: OPTION
- TAIL AREA: 30-60u" MATTE TIN PLATING UNDER PLATING: NICKEL 100u" MIN.
- BACK-SHELL: STAINLESS STEEL
- MOUNTING HARDWARE: M2X0.4 SELF THREADING SCREW
- MOUNTING SCREW LENGTH: PCB THICKNESS + 2.5MM MAX.
- THIS PRODUCT DOESN'T CONTAIN ENVIRONMENTAL HAZARDOUS PER DIRECTIVE 2011/65/EU FOR RoHS COMPLIANT AND PER IEC 61249-2-21 FOR HALOGEN-FREE COMPLIANT.

TOLERANCE	DRAWN APPROVALS	DATE	TITLE
X.X ±0.30	DESIGNED Hank Hsu	06/26/2013	MINI SAS HD INTEGRATED CONNECTOR
X.XX ±0.20	CHECKED Sondra Sang	06/26/2013	0.75 PITCH, R/A, PRESS FIT TYPE
X.XXX ±0.10	APPROVED Hank Hsu	06/26/2013	
ANGULAR ±2°	DWG TYPE CUST DWG	PROJECT CODE 1514	
UNLESS OTHERWISE SPECIFIED			

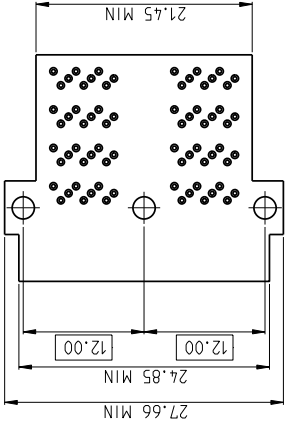
<b>Amphenol®</b>	
Amphenol Corporation Amphenol Taiwan Corporation	
PART No.	G40H1XXXXHR
DWG No.	G40H1XXXXHR

UNIT	mm
SCALE	NA
SIZE	A3
SHEET	1 OF 2

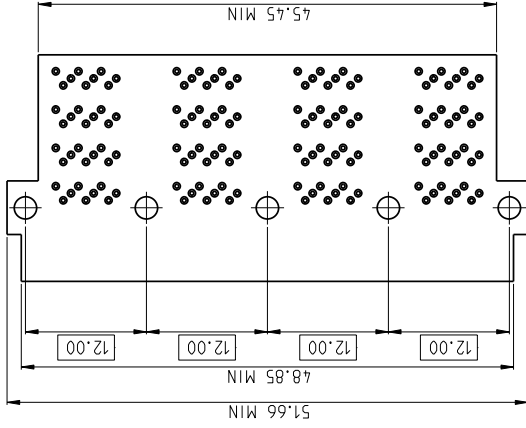
This document is the property of Amphenol Corporation and is delivered on the express condition that it is not to be disclosed, reproduced or used, in whole or in part, for manufacture or sale by anyone other than the party to whom it is issued, without the prior written consent of Amphenol Corporation. Amphenol Corporation grants no license, express or implied, by this document, for the use of any information contained herein for the manufacture or sale of any product, or for the use of any material or process, or for the use of any other information, without the prior written consent of Amphenol Corporation. This marking on this product designates compliance with the RoHS (Restriction of Hazardous Substances) Directive 2002/95/EC, the WEEE (Waste Electrical and Electronic Equipment) Directive 2002/96/EC, and the REACH (Registration, Evaluation, and Restriction of Chemicals) Directive 2006/182/EC. This marking also indicates compliance with the RoHS (Restriction of Hazardous Substances) Directive 2011/65/EU for RoHS compliant or per IEC 61249-2-21 for Halogen-Free compliant.

**ORIGINAL**

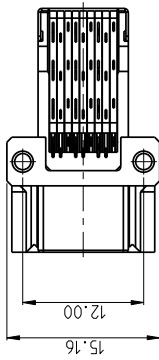
SYM		ECN No.	REVISIONS
A	NA	RELEASE	DATE
B	NE-13092	DRAWING UPDATE	06/26/2013
			HANK HSU
			HANK HSU



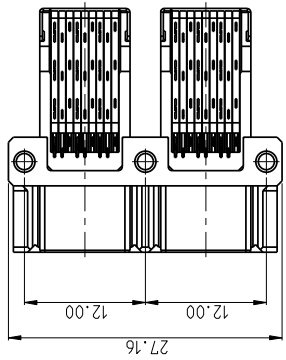
1x2 RIGHT ANGLE INTEGRATED HD CONNECTOR FOOTPRINT



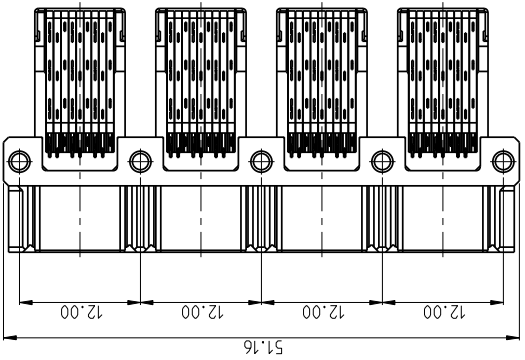
1x4 RIGHT ANGLE INTEGRATED HD CONNECTOR FOOTPRINT



1x1 INTEGRATED CONNECTOR



1x2 INTEGRATED CONNECTOR



1x4 INTEGRATED CONNECTOR

- NOTES:
1. RECOMMENDED DRILL SIZE FOR  $\varnothing 0.37$  FINISHED PTH IS  $\varnothing 0.457$ (#77 DRILL)
  2. RECOMMENDED ANNULAR RING AROUND  $\varnothing 0.37$  FINISHED PTH IS  $\varnothing 0.73$
  3. MINIMUM PCB THICKNESS: 1.57MM
  4. PIN ASSIGNMENTS PLEASE REFER TO SERIAL ATTACHED SCSI-3 (SAS-3) STANDARD.

TOLERANCE	DRAWN	APPROVALS	DATE	TITLE
X. ±0.30	DESIGNED	Hank Hsu	06/26/2013	MINI SAS HD INTEGRATED CONNECTOR
X.XX ±0.20	CHECKED	Sondra Sang	06/26/2013	0.75 PITCH, R/A, PRESS FIT TYPE
X.XXX ±0.10	APPROVED	Hank Hsu	06/26/2013	
ANGULAR ±2°	DWG TYPE	CUST DWG	PROJECT CODE	UNIT
UNLESS OTHERWISE SPECIFIED			1514	mm
				SCALE
				NA
				SHEET
				2 OF 2
				SIZE
				A3
				PART No.
				G40H1XXXXXHR
				DWG No.
				G40H1XXXXXHR
				REV.
				B

**Amphenol®**  
Amphenol Corporation  
Amphenol Taiwan Corporation