

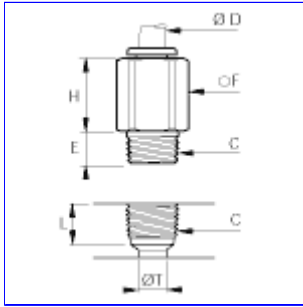


3091

**SELF-SEALING MALE STUD
FITTING, BSPT THREAD**

[Description](#)
[Dimensions](#)
[Specifications](#)
[CAD drawings](#)
[Related products](#)

maximum working pressure	bar 10	MPa 1	psi 145
working temperature	°C (Celsius) From 0 to 70	F (Fahrenheit) From 32 to 158	K (Kelvin) From 273 to 343
vacuum capability	mm Hg vacuum level of 755,000		
body	nickel-plated brass		
'O'-rings	nitrile		
gripping ring	stainless steel		



3091 SELF-SEALING MALE STUD FITTING, BSPT THREAD



for metric tubing

[Zoom](#)

[Description](#)
[Dimensions](#)
[Specifications](#)
[CAD drawings](#)
[Related products](#)



[Display Part No for imperial tubing](#)
 convert weight standard : kg | oz

	ØD (mm)	C	E (mm)	F (mm)	H (mm)	L (mm)	ØT (mm)	 (kg)
3091 04 10	4	R1/8	7,5	12,0	18,0	9,5	5,0	0,144
3091 06 10	6	R1/8	7,5	13,0	19,5	9,5	7,5	0,015
3091 08 10	8	R1/8	6,5	14,0	25,0	10,5	7,5	0,100
3091 08 13	8	R1/4	11,0	14,0	25,5	13,5	9,0	0,021
3091 10 17	10	R3/8	11,5	17,0	27,5	14,0	10,0	0,035