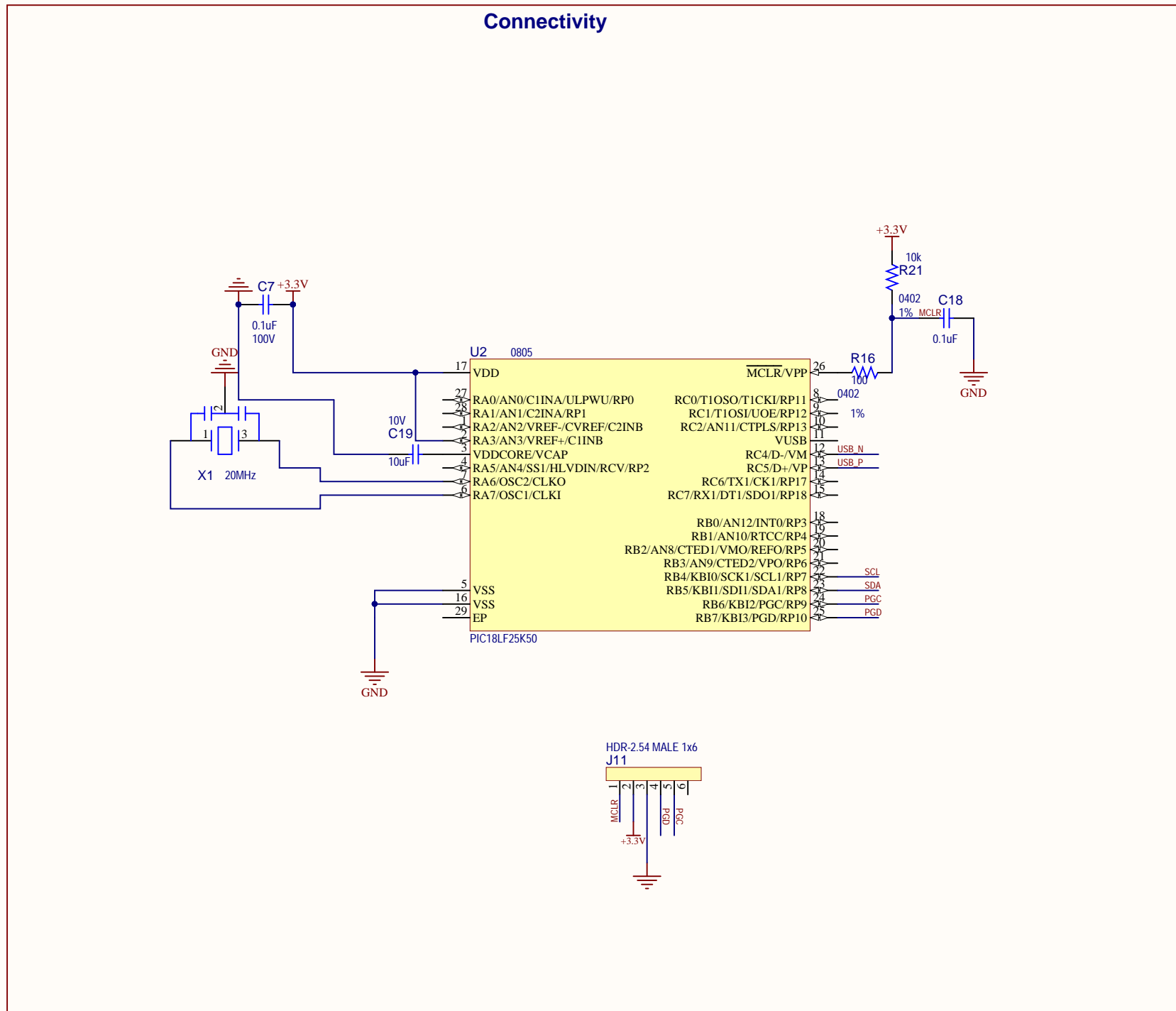


REV	ECO#	DESCRIPTION	DATE

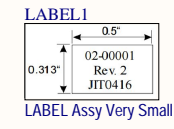
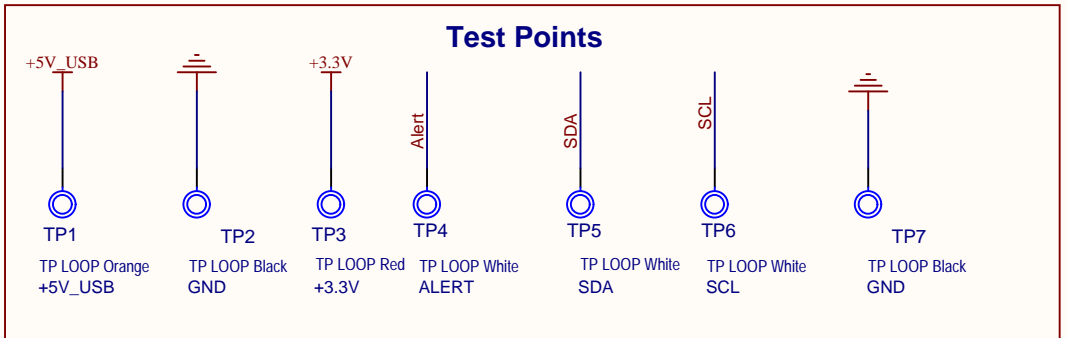
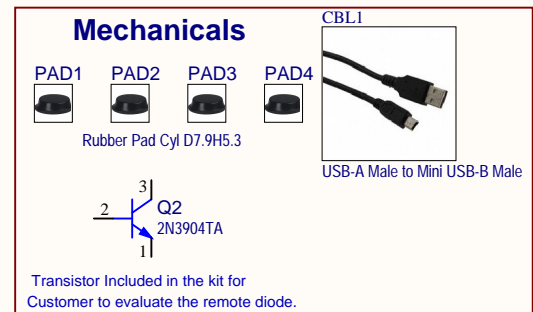
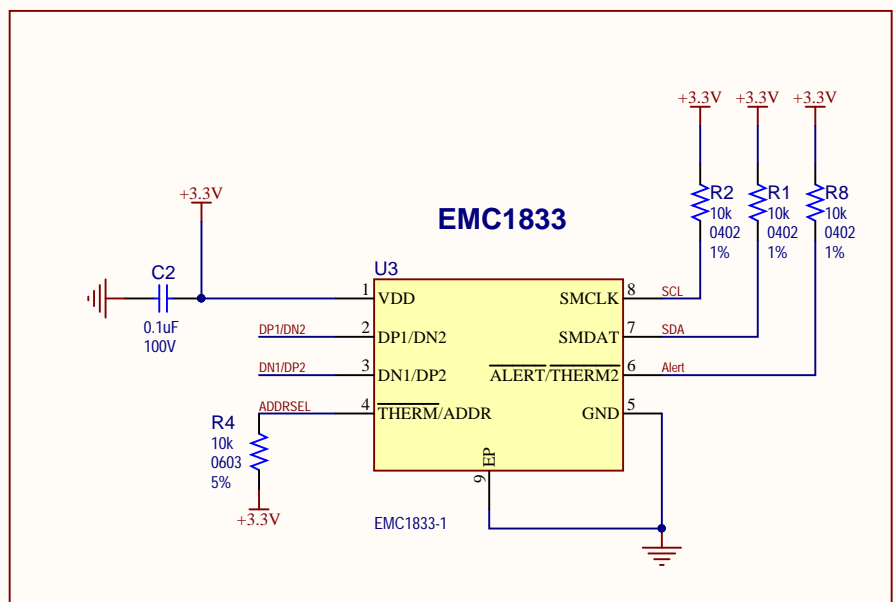
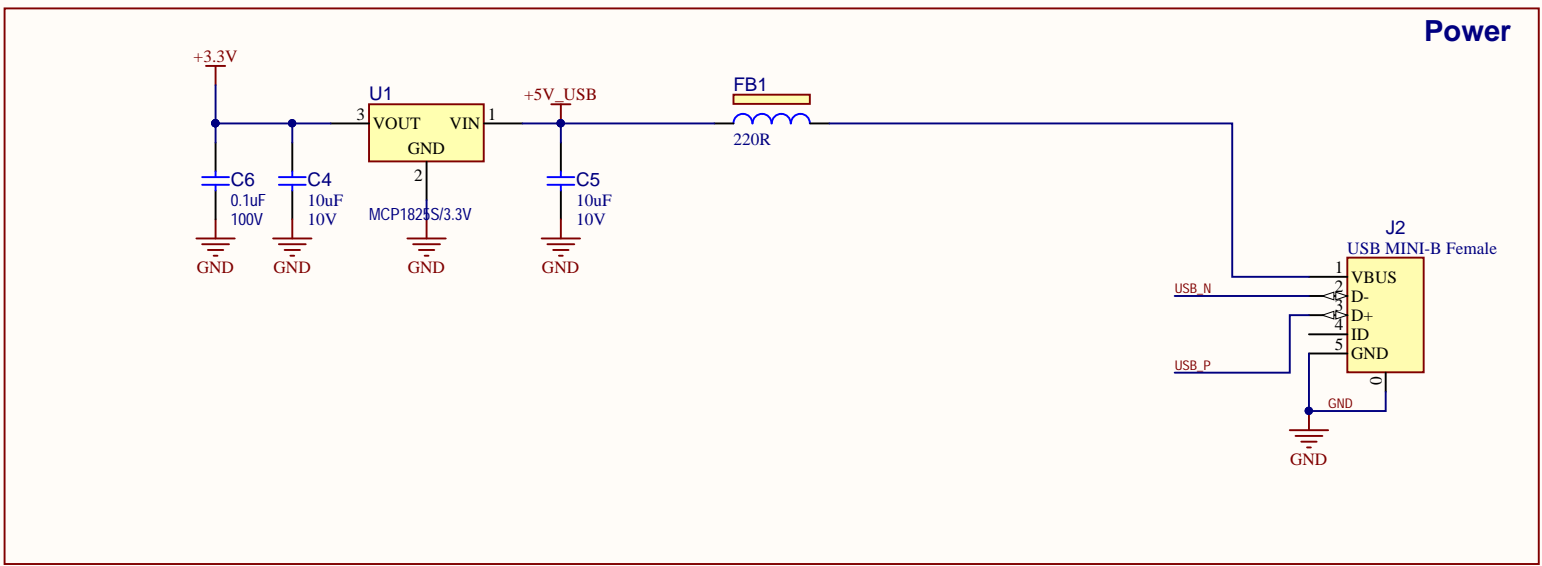
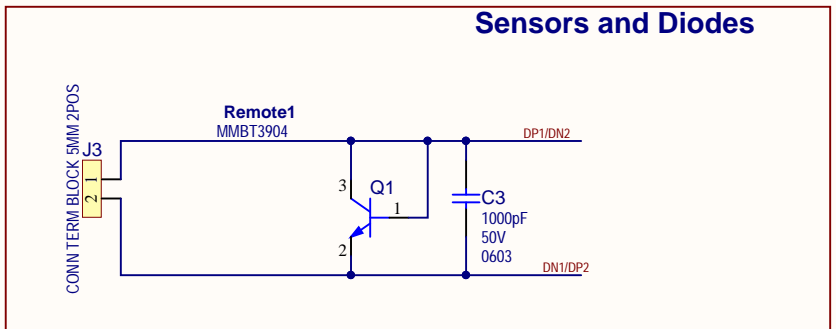


Drawn By: John Austin	
Engineer: John Austin	
PartNumber: ADM00773	Project Title EMC1833 3-Channel Temperature Eval Board.
Sheet Title EMC1833 Interface Circuit	
Size B	Sch #03-10567 Date: 2/9/2017 9:21:03 AM
Revision: 2	Sheet 1 of 2
File: EMC1833 Interface Circuit Rev-1.SchDoc	

Designed with

Altium.com

REV	ECO#	DESCRIPTION	DATE



Drawn By: John Austin	
Engineer: John Austin	
PartNumber: ADM00773	Project Title EMC1833 3-Channel Temperature Eval Board.
Sheet Title EMC1833 Main Circuit	Designed with
Size B	Sch #03-10567 Revision:2
	Date: 2/9/2017 9:21:03 AM Sheet 2 of 2
File: EMC1833 customer evaluation board Rev-1.SchDoc	

Mouser Electronics

Authorized Distributor

Click to View Pricing, Inventory, Delivery & Lifecycle Information:

[Microchip:](#)

[ADM00773](#)