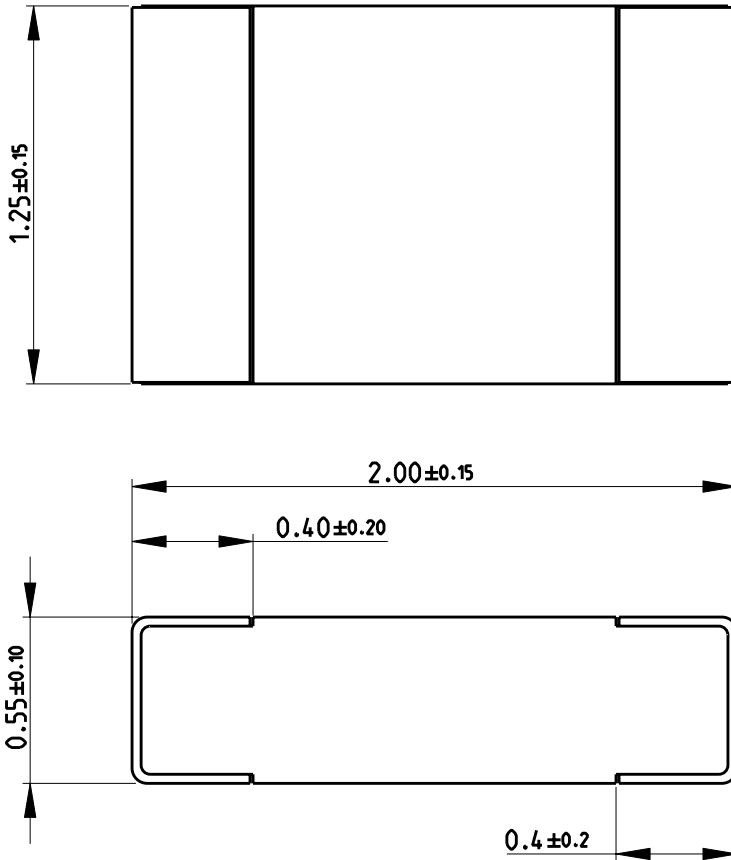
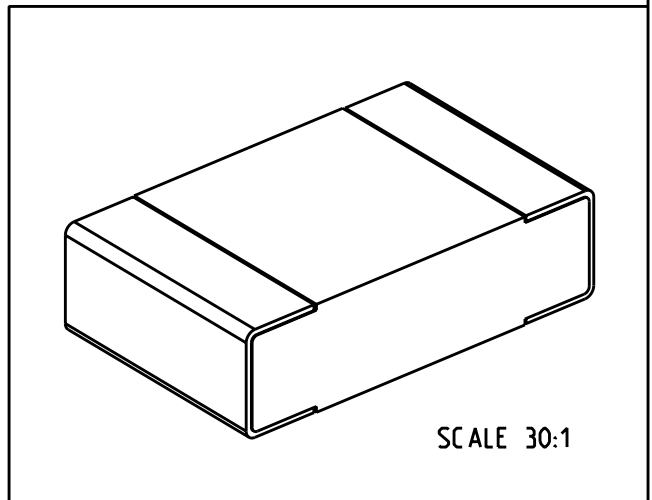


| | | | | | | | |
|-----|------|-----------|-----|-------------|-----------|-----|------|
| LOC | DIST | REVISIONS | | | | | |
| E | B | P | LTR | DESCRIPTION | DATE | DWN | APVD |
| | | BA | | NEW RELEASE | 11-MAY-09 | SM | St.P |

FOR FURTHER INFORMATION SEE DATA SHEET FOR
CRG SERIES-THICK FILM CHIP RESISTORS



RoHS Compliant



2009

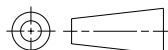
RELEASED FOR PUBLICATION

THIS DRAWING IS UNPUBLISHED.

BY TYCO ELECTRONICS CORPORATION. ALL RIGHTS RESERVED.

© COPYRIGHT 2009

| | | | | | | |
|----------------------------------------|--------------------------|-----------|----------------------------------------------------------|-------|------------|---|
| DIMENSIONS: mm | DWN SUBHASH.M | 11-MAY-09 | MATERIAL | - | FINISH | - |
| | CHK PRAKASH.S | 11-MAY-09 | Tyco Electronics Corporation Dorcan, Swindon, SN3 5HH | | | |
| TOLERANCES UNLESS OTHERWISE SPECIFIED: | APVD STEPHEN.P | 11-MAY-09 | | | | |
| 0 PLC ±0.5 | PRODUCT SPEC | - | NAME THICK FILM CHIP RESISTORS | | | |
| 1 PLC ±0.2 | APPLICATION SPEC | - | SIZE CAGE CODE DRAWING NO RESTRICTED TO | | | |
| 2 PLC ±0.1 | | - | A 4 | 00779 | C- 1623235 | - |
| 3 PLC ±- | | - | SCALE 40:1 SHEET 1 OF 1 REV BA | | | |
| 4 PLC ±- | WEIGHT | - | CUSTOMER DRAWING | | | |
| ANGLES ±5° | | - | | | | |



Mouser Electronics

Authorized Distributor

Click to View Pricing, Inventory, Delivery & Lifecycle Information:

[TE Connectivity:](#)

[CRG0805F47R](#)