

## RJ45 connector - CUC-IND-C1ZNI-S/R4IE8 - 1421607

Please be informed that the data shown in this PDF Document is generated from our Online Catalog. Please find the complete data in the user's documentation. Our General Terms of Use for Downloads are valid (<http://phoenixcontact.com/download>)




RJ45 connector, degree of protection: IP20, number of positions: 8, 1 Gbps, CAT5 (IEC 11801:2002), material: Zinc die-cast, connection method: IDC fast connection, connection cross section: AWG 26- 24, cable outlet: straight, color: green

### Your advantages

- assembly without special tools
- One-Piece Design
- AWG 26-24
- 360° shielding
- High shock and vibration resistance



### Key Commercial Data

Packing unit	1 pc
GTIN	 4 055626 276915
GTIN	4055626276915

### Technical data

#### Mechanical characteristics

Connection method	IDC fast connection
Minimum external conductor diameter	5 mm
Maximum external conductor diameter	9 mm
Overvoltage category	I
AWG solid min.	26
AWG solid max.	24
AWG multi-stranded min.	26
AWG multi-stranded max.	24
Insertion/withdrawal cycles	≥ 750
Number of positions	8
Degree of pollution	2

# RJ45 connector - CUC-IND-C1ZNI-S/R4IE8 - 1421607

## Technical data

### Mechanical characteristics

Cable outlet	straight
No. of cable outlets	1
Locking type	Locking clips
Conductor cross section	0.14 mm <sup>2</sup> ... 0.25 mm <sup>2</sup> (solid)
	0.14 mm <sup>2</sup> ... 0.25 mm <sup>2</sup> (flexible)
Weight	13.96 g
Flammability rating according to UL 94	V0

### Ambient conditions

Ambient temperature (operation)	-40 °C ... 70 °C
---------------------------------	------------------

### Material data

Contact surface material	Au/Ni
Contact material	Copper alloy
Contact carrier material	PC
Housing material	Zinc die-cast
Width	13.6 mm
Height	14.4 mm
Length	53 mm
Housing surface material 1	Cu/Ni

### Electrical characteristics

Number of positions	8
Nominal voltage U <sub>N</sub>	48 V
Transmission speed	1 Gbps
Transmission characteristics (category)	CAT5 (IEC 11801:2002)
GRP transmission properties	CAT5 (IEC 11801:2002) CAT5 (IEC 11801:2002)
Transmission speed	1 Gbps
Frequency range	to 100 MHz
Rated current	1.75 A
Overvoltage category	I
Degree of pollution	2
Contact resistance	0.001 Ω (Wire – IDC)
	0.005 Ω (Litz wires – IDC)
Rated voltage (III/3)	72 V (DC)
Insulation resistance	> 500 MΩ

### Standards and Regulations

Flammability rating according to UL 94	V0
--	----

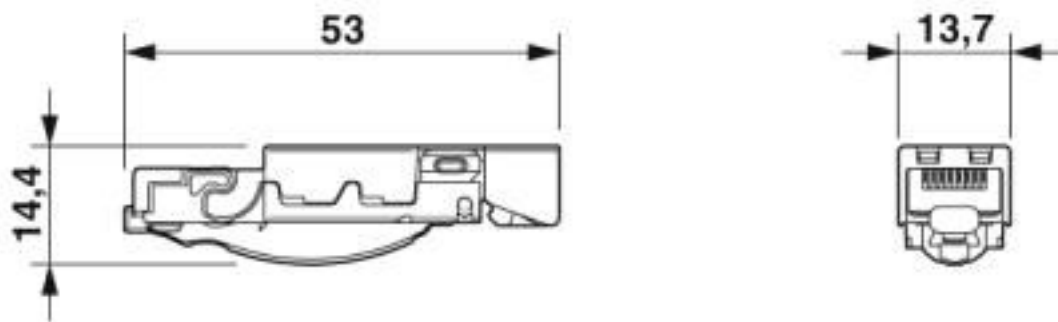
### Environmental Product Compliance

China RoHS	Environmentally friendly use period: unlimited = EFUP-e
	No hazardous substances above threshold values

# RJ45 connector - CUC-IND-C1ZNI-S/R4IE8 - 1421607

## Drawings

Dimensional drawing



RJ45 connector, IP20

## Classifications

eCl@ss

eCl@ss 10.0.1	27440101
eCl@ss 4.0	27260700
eCl@ss 4.1	27260700
eCl@ss 5.0	27260700
eCl@ss 5.1	27260700
eCl@ss 6.0	27260700
eCl@ss 7.0	27440101
eCl@ss 8.0	27440101
eCl@ss 9.0	27440101

ETIM

ETIM 5.0	EC002636
ETIM 6.0	EC002636
ETIM 7.0	EC002636

UNSPSC

UNSPSC 13.2	39121409
UNSPSC 18.0	39121409
UNSPSC 19.0	39121409
UNSPSC 20.0	39121409
UNSPSC 21.0	39121409

## Approvals

Approvals

# RJ45 connector - CUC-IND-C1ZNI-S/R4IE8 - 1421607

## Approvals

Approvals

cULus Recognized / EAC

Ex Approvals

## Approval details

cULus Recognized		<a href="http://database.ul.com/cgi-bin/XYV/template/LISEXT/1FRAME/index.htm">http://database.ul.com/cgi-bin/XYV/template/LISEXT/1FRAME/index.htm</a> E335024-20170228
Nominal voltage UN		56.5 V
Nominal current IN		0.175 A

EAC		B.01687
-----	--	---------

## Accessories

Accessories

Data cable by the meter

Network cable - VS-OE-OE-94B-100,0 - 1416567



Network cable, Ethernet CAT5 (1 Gbps), 8-position, PUR halogen-free, water blue RAL 5021, shielded, free cable end, on free cable end, cable length: 100 m

Network cable - VS-OE-OE-94B/... - 1417333



Network cable, Ethernet CAT5 (1 Gbps), 8-position, PUR halogen-free, water blue RAL 5021, shielded, free cable end, on free cable end, cable length: Free entry (0.5 ... 400 m)

Electronics pliers

## RJ45 connector - CUC-IND-C1ZNI-S/R4IE8 - 1421607

### Accessories

Diagonal cutter - MICROFOX-SP-1 - 1212487



Electronic diagonal cutter, tapered head, without chamfer, with opening spring, non-reflective phosphate-treated surface, punched version

---

### Female insert

RJ45 socket insert - CUC-F-J1ZNI-S/R4IDC8 - 1418984



RJ45 socket insert, type: RJ45, degree of protection: IP20, number of positions: 8, 10 Gbps, CAT6<sub>A</sub>, material: Zinc die-cast, connection method: IDC connection, connection cross section: AWG 26- 22, Freenet design for use with IP67 panel mounting frame and terminal outlets

---

RJ45 coupling - CUC-F-D1ZNI-S/R4GC8 - 1419022



RJ45 coupling, type: RJ45, degree of protection: IP20, number of positions: 8, 1 Gbps, CAT6, material: Zinc die-cast, connection method: Female

---

RJ45 socket insert - CUC-K-J1ZNI-S/R4IDC8 - 1419021



RJ45 socket insert, type: RJ45, degree of protection: IP20, number of positions: 8, 10 Gbps, CAT6<sub>A</sub>, material: Zinc die-cast, connection method: IDC connection, connection cross section: AWG 26- 22, Keystone design for use with IP20 panel mounting frame or integrated directly into the housing panel

---

### Patch panel

DIN rail adapter - CUC-PP-D1PGY/R4GC8 - 1418094



DIN rail adapter, type: RJ45, degree of protection: IP20, number of positions: 8, 1 Gbps, CAT6, material: PC-GF, connection method: Coupling, color: gray

---

### Terminal marking

## RJ45 connector - CUC-IND-C1ZNI-S/R4IE8 - 1421607

### Accessories

#### Marker for terminal blocks - UCT-TMF 5 GN - 0829193



Marker for terminal blocks, Sheet, green, unlabeled, can be labeled with: TOPMARK NEO, TOPMARK LASER, BLUEMARK ID COLOR, BLUEMARK ID, BLUEMARK CLED, THERMOMARK PRIME, THERMOMARK CARD 2.0, THERMOMARK CARD, mounting type: snap into flat marker groove, for terminal block width: 5.2 mm, lettering field size: 4.4 x 4.7 mm, Number of individual labels: 72

---

#### Marker for terminal blocks - UCT-TMF 5 RD - 0829189



Marker for terminal blocks, Sheet, red, unlabeled, can be labeled with: TOPMARK NEO, TOPMARK LASER, BLUEMARK ID COLOR, BLUEMARK ID, BLUEMARK CLED, THERMOMARK PRIME, THERMOMARK CARD 2.0, THERMOMARK CARD, mounting type: snap into flat marker groove, for terminal block width: 5.2 mm, lettering field size: 4.4 x 4.7 mm, Number of individual labels: 72

---

#### Marker for terminal blocks - UCT-TMF 5 BU - 0829192



Marker for terminal blocks, Sheet, blue, unlabeled, can be labeled with: TOPMARK NEO, TOPMARK LASER, BLUEMARK ID COLOR, BLUEMARK ID, BLUEMARK CLED, THERMOMARK PRIME, THERMOMARK CARD 2.0, THERMOMARK CARD, mounting type: snap into flat marker groove, for terminal block width: 5.2 mm, lettering field size: 4.4 x 4.7 mm, Number of individual labels: 72

---

#### Marker for terminal blocks - UCT-TMF 5 YE - 0828745



Marker for terminal blocks, Sheet, yellow, unlabeled, can be labeled with: TOPMARK NEO, TOPMARK LASER, BLUEMARK ID COLOR, BLUEMARK ID, BLUEMARK CLED, THERMOMARK PRIME, THERMOMARK CARD 2.0, THERMOMARK CARD, mounting type: snap into flat marker groove, for terminal block width: 5.2 mm, lettering field size: 4.4 x 4.7 mm, Number of individual labels: 72

---

#### Marker for terminal blocks - UCT-TMF 5 OG - 0829190



Marker for terminal blocks, Sheet, orange, unlabeled, can be labeled with: TOPMARK NEO, TOPMARK LASER, BLUEMARK ID COLOR, BLUEMARK ID, BLUEMARK CLED, THERMOMARK PRIME, THERMOMARK CARD 2.0, THERMOMARK CARD, mounting type: snap into flat marker groove, for terminal block width: 5.2 mm, lettering field size: 4.4 x 4.7 mm, Number of individual labels: 72

## RJ45 connector - CUC-IND-C1ZNI-S/R4IE8 - 1421607

### Accessories

Marker for terminal blocks - TMT 5 R - 0816430



Marker for terminal blocks, Roll, white, unlabeled, can be labeled with: THERMOMARK ROLL 2.0, THERMOMARK ROLL, THERMOMARK ROLL X1, THERMOMARK ROLLMASTER 300/600, THERMOMARK X1.2, THERMOMARK S1.1, perforated, mounting type: snap into universal marker groove, snap into flat marker groove, for terminal block width: 5.2 mm, lettering field size: 6.4 x 5.15 mm, Number of individual labels: 19000

---

Stripping tool - VS-CABLE-STRIP-VARIO - 1657407



Stripping tool, for the multi-level stripping of shielded cables

---

Phoenix Contact 2020 © - all rights reserved  
<http://www.phoenixcontact.com>

PHOENIX CONTACT GmbH & Co. KG  
Flachsmarktstr. 8  
32825 Blomberg  
Germany  
Tel. +49 5235 300  
Fax +49 5235 3 41200  
<http://www.phoenixcontact.com>

# Mouser Electronics

Authorized Distributor

Click to View Pricing, Inventory, Delivery & Lifecycle Information:

[Phoenix Contact:](#)

[1421607](#)