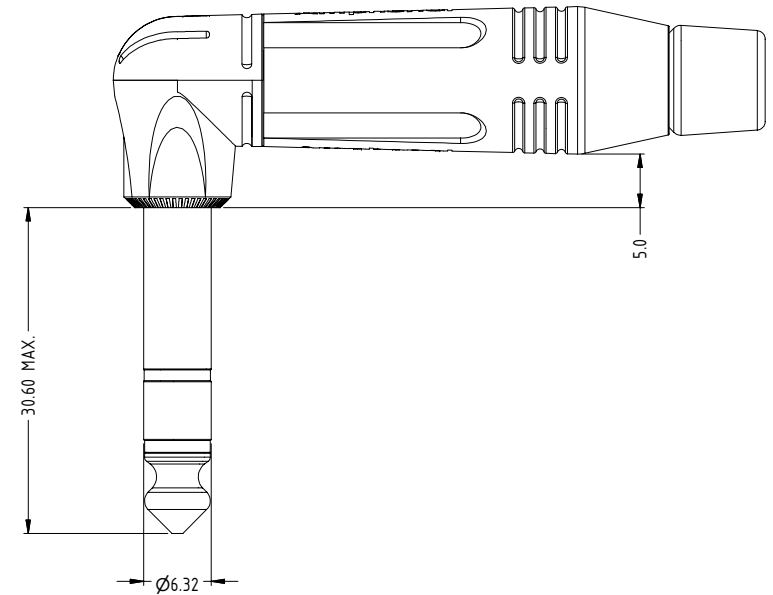
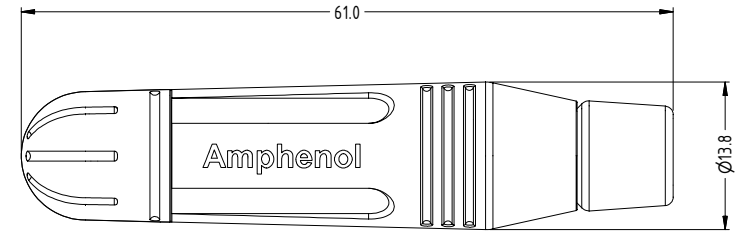
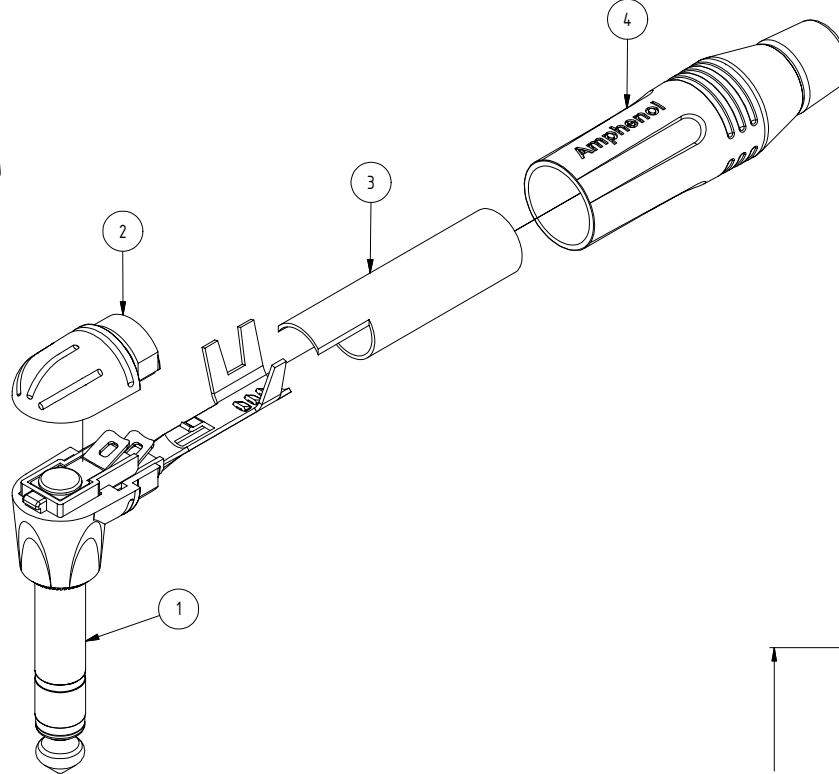
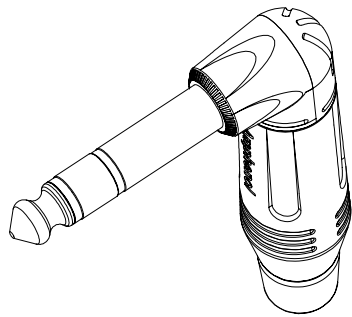


ISO VIEW



Stereo Connector Assembly - Parts List				
ITEM	PART NUMBER	DWG No	DESCRIPTION	QTY
1	50310027-*30	50310027-130-1	RA-STEREO PLUG INSERT CONTACT ASSEMBLY	1
2	50300105-*21	50300105-121-1	RA-TOP CAP	1
3	51270031-521	51270031-521-1	RA-BIG TUBE PVC INSULATOR	1
4	53490001-*31	53490001-331-1	M-SERIES BACKSHELL ASSEMBLY	1

Part Number according to Shell and Contact Finish			
CATALOGUE P/No.	REFERENCE P/No.	SHELL FINISH	CONTACT FINISH
ACPS-RN	55010302-000	NICKEL	NICKEL TIP, RING AND SLEEVE
ACPS-RN-AU	55010302-001	NICKEL	GOLD TIP, RING AND SLEEVE
ACPS-RB	55010302-002	BLACK	NICKEL TIP, RING AND SLEEVE
ACPS-RB-AU	55010302-003	BLACK	GOLD TIP, RING AND SLEEVE

UNLESS OTHERWISE SPECIFIED TOLERANCE TO BE		THIS DOCUMENT IS THE PROPERTY OF AMPHENOL AUSTRALIA PTY LTD. NO PART THEREOF MAY BE REPRODUCED AND USED WITHOUT THE PRIOR WRITTEN CONSENT OF THE OWNER				1 UPDATE ASSEMBLY TO COMPLY WITH MODIFIED COMPONENTS		L.V	10-05-05	8374
LINEAR		ANGULAR		CAD FILE: 55010302000111		0 FIRST ISSUE		L.V	26-08-04	----
X ± 0.5		X° ± 1		DSD: L.V		DATE: 26-08-04		BY DATE CHG/No		
XX ± 0.1		XX° ± 30'		MATERIAL: REFER TO COMPONENTS		DATE: 17-06-05		CHANGE DETAILS		
XXX ± 0.05		XXX° ± 15'		CKD: M.N.H		DATE: 29-06-05				
DO NOT SCALE		FINISH: SEE TABLE		APP'D: P.M		DATE: 29-06-05				
DIMENSIONS IN MILLIMETRES		THIRD ANGLE PROJECTION		SCALE: 2:1 UOS		PART No: REFER TO TABLE		SIZE: A3		DRAWING NO. 55010302-000-1
TITLE: 1/4" PHONE PLUG RA - STEREO CONNECTOR ASSY								SHEET 1/1		Amphenol Australia Pty Ltd, 2 Finlayson Blvd, Melbourne, Vic3173

# Mouser Electronics

Authorized Distributor

Click to View Pricing, Inventory, Delivery & Lifecycle Information:

[Amphenol:](#)

[ACPS-RN](#) [ACPS-RN-AU](#) [ACPS-RB-AU](#) [ACPS-RB](#) [ACPS-RB BULK](#) [ACPS-RB-AU BULK](#) [ACPS-RN BULK](#) [ACPS-RN-AU BULK](#)