

RS PRO Photoelectric Sensor

RS Stock No.: 2543659

FEATURES

- **Universal housing, an ideal replacement for a wide range of sensor types;**
- **IP67, suitable for harsh environments;**
- **Background suppression type, stable detection of both white and black targets;**
- **Visible light spots for easy installation and commissioning.**



RS Professionally Approved Products bring to you professional quality parts across all product categories. Our product range has been tested by engineers and provides a comparable quality to the leading brands without paying a premium price.

Specifications

Detection type	Background suppression
Rated distance	25cm
Output	PNP NO/NC
Distance adjustment	5-turn knob adjustment
Response time	≤ 1ms
Spot size	7mm@25cm
Hysteresis range	< 5%
Supply voltage	10...30 VDC
Consumption current	≤ 20mA
Load current	≤ 100mA
Voltage drop	≤ 1V
Light source	Red light (640nm)
Circuit protection	Short-circuit, overload, reverse polarity and zener protection
Indicator	Green light: power; Yellow light: output, overload or short circuit (flash)
Anti-ambient light	Anti-sunlight interference ≤ 10,000lux; Incandescent light interference ≤ 3,000lux
Operating temperature	-25°C...55°C
Storage temperature	-25°C...70°C
Material	Housing: PC+ABS; Filter: PMMA
Connection	2m PVC cable
NO/NC adjustment	The status of white wire connected to the negative is NC, while connected to the positive hanging is NO.

Protection Category

IP Rating IP67

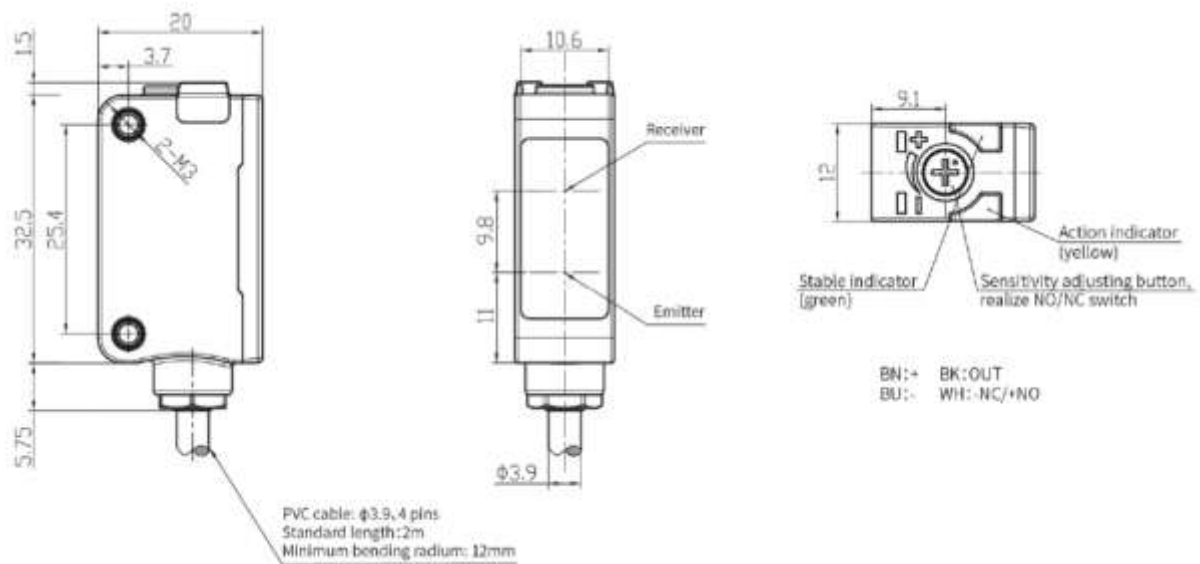
Additional Information

Custom Tariff Number/HS code 903180

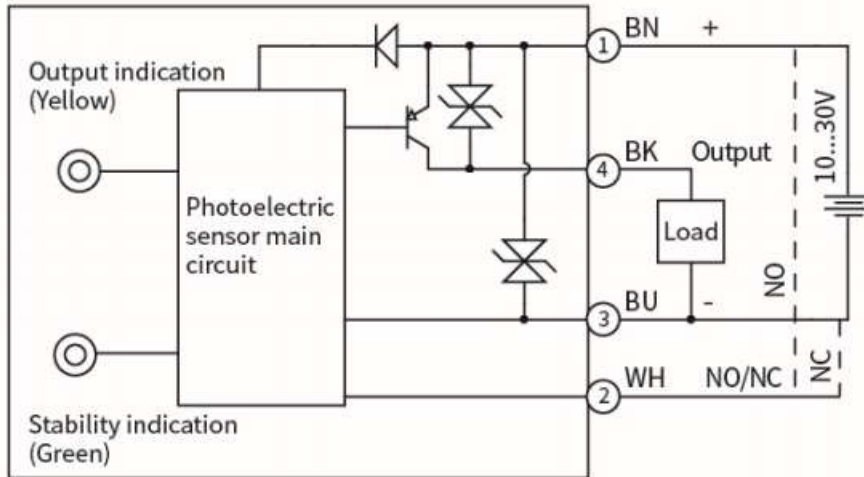
Approvals

ifications CE

Dimension and Wiring



Photoelectric Sensors



PNP