

# RS PRO Photoelectric Sensor

RS Stock No.: 2543657

## FEATURES

- **Universal housing, an ideal replacement for a wide range of sensor types;**
- **IP67, suitable for harsh environments;**
- **Background suppression type, stable detection of both white and black targets;**
- **Visible light spots for easy installation and commissioning.**



RS Professionally Approved Products bring to you professional quality parts across all product categories. Our product range has been tested by engineers and provides a comparable quality to the leading brands without paying a premium price.

## Specifications

<b>Detection type</b>	Background suppression
<b>Rated distance</b>	25cm
<b>Output</b>	NPN NO/NC
<b>Distance adjustment</b>	5-turn knob adjustment
<b>Response time</b>	≤ 1ms
<b>Spot size</b>	7mm@25cm
<b>Hysteresis range</b>	< 5%
<b>Supply voltage</b>	10...30 VDC
<b>Consumption current</b>	≤ 20mA
<b>Load current</b>	≤ 100mA
<b>Voltage drop</b>	≤ 1V
<b>Light source</b>	Red light (640nm)
<b>Circuit protection</b>	Short-circuit, overload, reverse polarity and zener protection
<b>Indicator</b>	Green light: power; Yellow light: output, overload or short circuit (flash)
<b>Anti-ambient light</b>	Anti-sunlight interference ≤ 10,000lux; Incandescent light interference ≤ 3,000lux
<b>Operating temperature</b>	-25°C...55°C
<b>Storage temperature</b>	-25°C...70°C
<b>Material</b>	Housing: PC+ABS; Filter: PMMA
<b>Connection</b>	2m PVC cable
<b>NO/NC adjustment</b>	The status of white wire connected to the negative is NC, while connected to the positive hanging is NO.

## Protection Category

IP Rating IP67

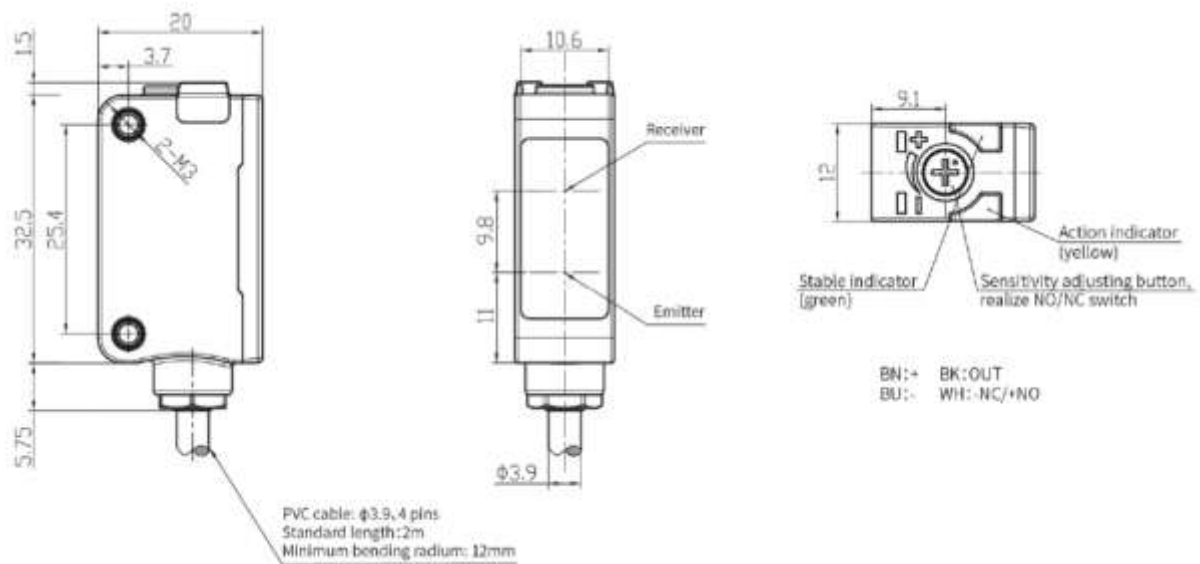
### Additional Information

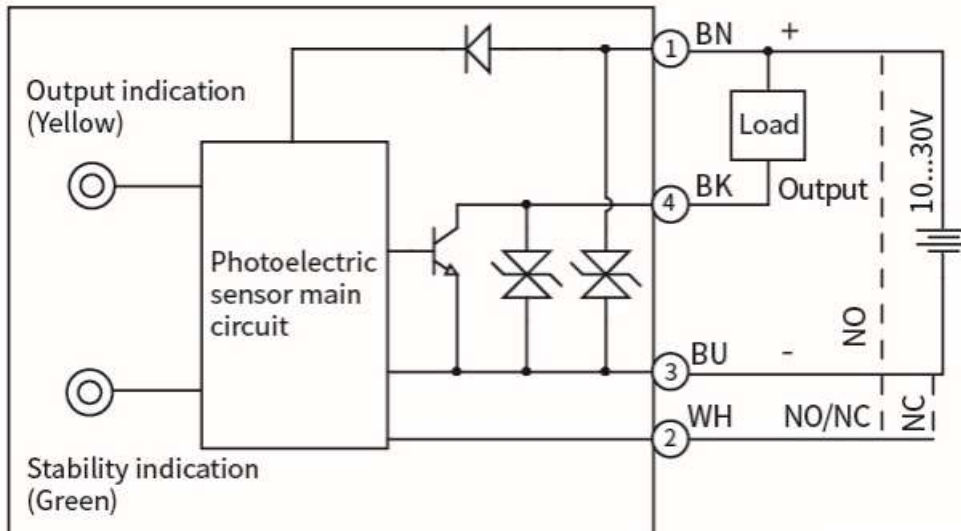
Custom Tariff Number/HS code 903180

### Approvals

ifications CE

### Dimension and Wiring





NPN