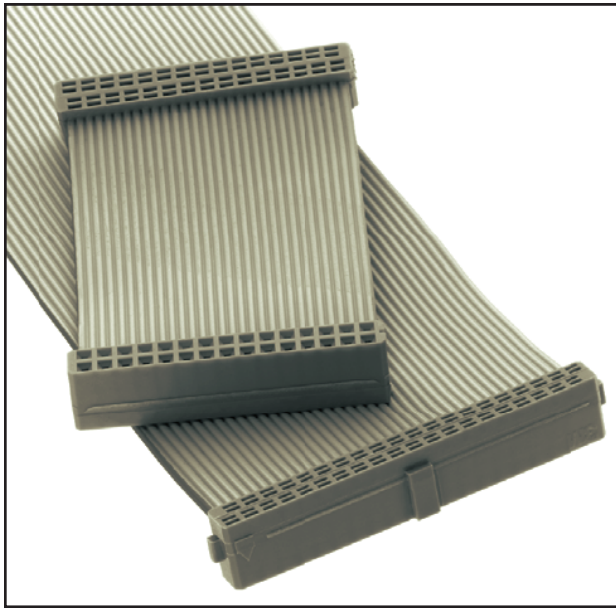


# 3M™ Molded Socket

2 mm x 2 mm for 1 mm Pitch Cable, Cable Assembly Connector

870 Series



- Part of a complete cable assembly
- One piece, molded-on construction provides integral strain relief
- Mates with industry standard .020" square contacts on 2 mm x 2 mm center headers
- Centerbump polarity feature available
- Low profile allows close stacking between components and boards
- Closed-end construction
- Optional latch ear feature
- Optional end guide ribs available on 40 & 50 Position
- Modular tooling allows customized designs
- See Regulatory Information Appendix (RIA) on TS-2150 for chemical compliance information

Date Modified: February 21, 2014

TS-0525-D  
Sheet 1 of 3

---

## Physical

### Insulation:

Material: Glass Filled Polyester (PBT)

Flammability: UL 94V-0

Color: Gray

### Contact:

Material: Copper Alloy

### Plating:

Underplating and U-Slot: 50-150  $\mu$ " [ 1.27-3.81  $\mu$ m ] Nickel

Wiping Area: 30  $\mu$ " [ 0.76  $\mu$ m ] Gold

Wire Accommodation: 28 AWG Stranded

**Marking:** 3M Logo and Orientation Triangle

---

## Electrical

**Current Rating:** 1 A

**Insulation Resistance:**  $> 1 \times 10^9 \Omega$  at 500 V<sub>DC</sub>

**Voltage Rating:** 300 V<sub>AC</sub> per EIA-364-20

**Withstanding Voltage:** 1000 V<sub>RMS</sub> at Sea Level

---

## Environmental

**Temperature Rating:** -55°C to +105°C

UL File No.: E86982

---

**3M**

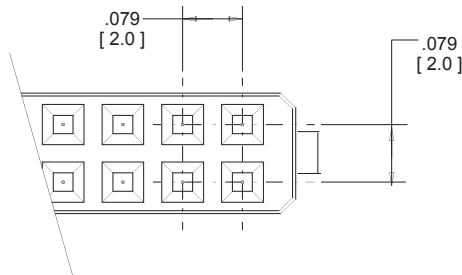
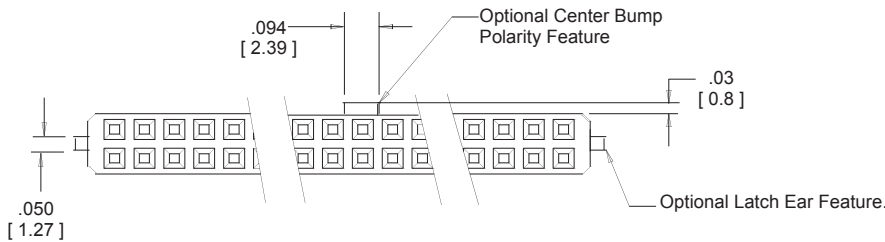
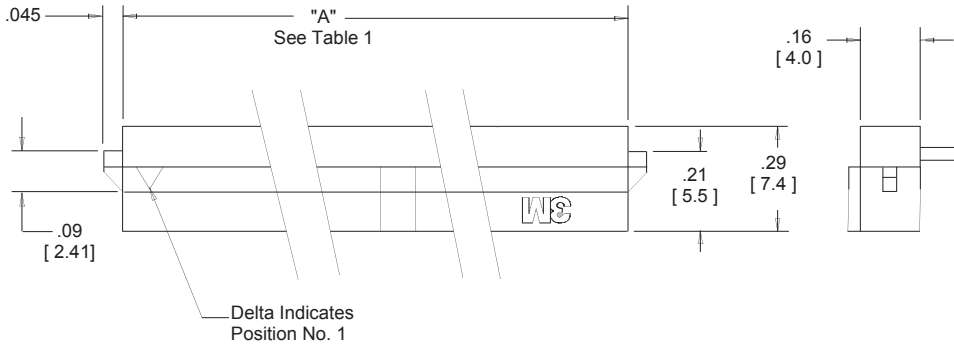
Electronic Solutions Division  
Interconnect Solutions  
<http://www.3M.com/interconnects/>

3M is a trademark of 3M Company.  
For technical, sales or ordering information call  
**800-225-5373**

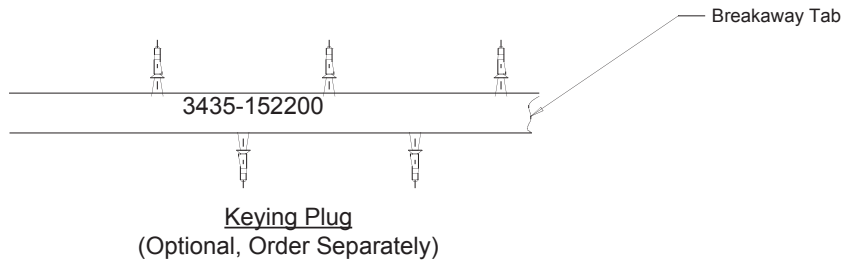
# 3M™ Molded Socket

2 mm x 2 mm for 1 mm Pitch Cable, Cable Assembly Connector

870 Series



Detail "A"



Contact Quantity	Dimension A
06	.27 [6.9]
08	.38 [9.6]
10	.46 [11.6]
16	.69 [17.6]
20	.85 [21.6]
22	.93 [23.6]
24	1.01 [25.6]
26	1.09 [27.6]
30	1.24 [31.6]
34	1.39 [35.3]
40	1.64 [41.6]
44	1.79 [45.5]
50	2.03 [51.6]



Tolerance Unless Noted			
	Inch	[mm]	
	.0	.00	.000
Inch	±.1	±.01	±.005

[ ] Dimensions for Reference only

## Ordering Information

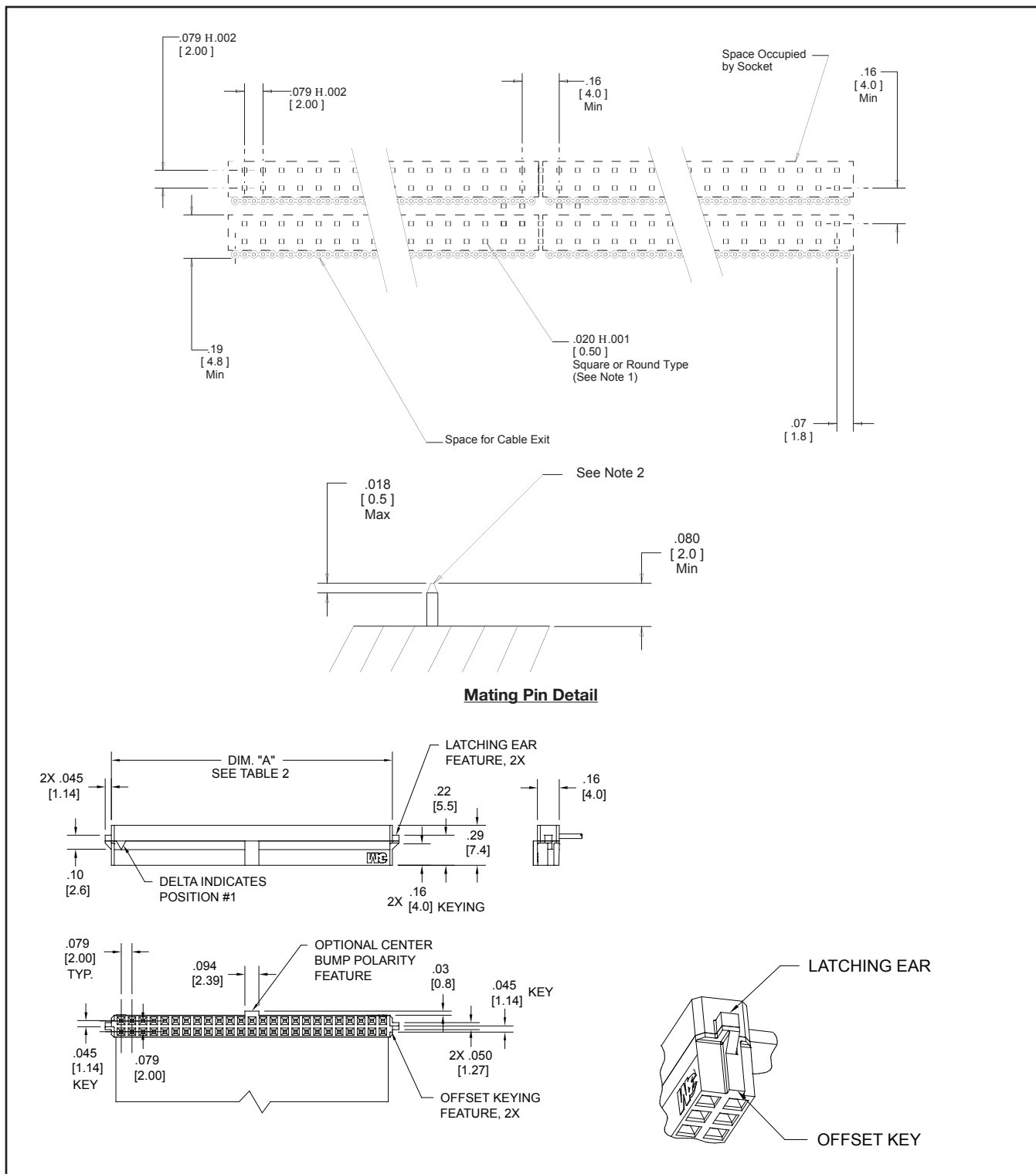
See TS-2150 technical drawing for ordering information on a complete cable assembly.

TS-0525-D  
Sheet 2 of 3

# 3M™ Molded Socket

2 mm x 2 mm for 1 mm Pitch Cable, Cable Assembly Connector

870 Series



## Ordering Information

See TS-2150 technical drawing for ordering information on a complete cable assembly.

TS-0525-D  
Sheet 3 of 3

**Important Notice**

All statements, technical information, and recommendations related to 3M's products are based on information believed to be reliable, but the accuracy or completeness is not guaranteed. Before using this product, you must evaluate it and determine if it is suitable for your intended application. You assume all risks and liability associated with such use. Any statements related to the product which are not contained in 3M's current publications, or any contrary statements contained on your purchase order shall have no force or effect unless expressly agreed upon, in writing, by an authorized officer of 3M.

**Warranty; Limited Remedy; Limited Liability.**

This product will be free from defects in material and manufacture for a period of one (1) year from the time of purchase. **3M MAKES NO OTHER WARRANTIES INCLUDING, BUT NOT LIMITED TO, ANY IMPLIED WARRANTY OF MERCHANTABILITY OR FITNESS FOR A PARTICULAR PURPOSE.** If this product is defective within the warranty period stated above, your exclusive remedy shall be, at 3M's option, to replace or repair the 3M product or refund the purchase price of the 3M product. **Except where prohibited by law, 3M will not be liable for any indirect, special, incidental or consequential loss or damage arising from this 3M product, regardless of the legal theory asserted.**

**3M Electronics Solutions Division**

6801 River Place Blvd.  
Austin, TX 78726-9000  
U.S.A.  
1-800-225-5373  
[www.3Mconnectors.com](http://www.3Mconnectors.com)

Please recycle. Printed in USA.  
© 3M 2014. All rights reserved.  
RIA-2217B-E

3M and Textool are trademarks of 3M Company.