



Micro PLC expansion module, 4 digital inputs + 4 relay outputs  
LRE08RD024

Product designation

Product type designation

Auxiliary supply voltage

Number of inputs

Number of outputs

n° 4 digital

N° 4 relay

Power supply

Rated auxil. supply voltage

24VDC

Operating voltage range

20.4...28.8VDC

Average current consumption

mA 70

Digital inputs

Number of digital input

n° 4

Rated voltage

V 24VDC

Input signals

State 0 (OFF)

<5VDC

State 1 (ON)

>15VDC

Digital outputs

Number of digital output

n° 4

type

Relay

type

Relay

Connections

Terminals type

Screw

Ambient conditions

Temperature

Operating temperature

min °C -20  
max °C +55

Storage temperature

min °C -40  
max °C +70

Relative humidity

% <90% (non condensing)

Housing

Mounting

35mm DIN rail or screw fixing (M4x15mm)

Degree of protection

IP20

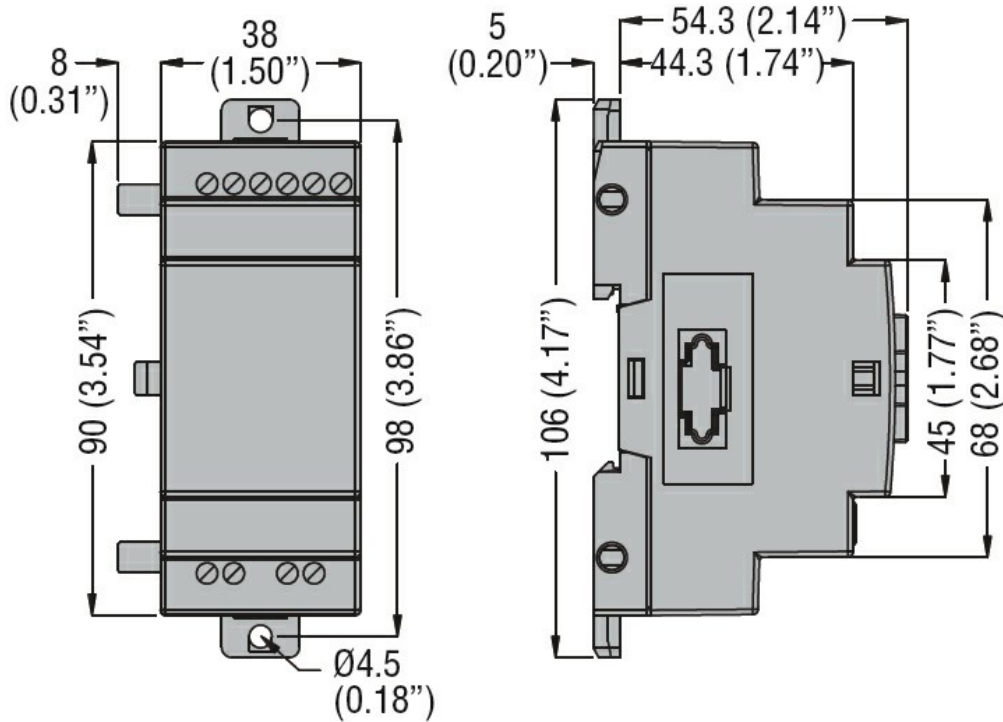
Dimensions (W x H x D)

mm 38 x 106 x 59.3

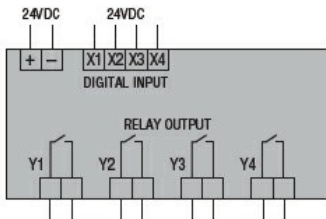
Weight

g 171

Dimensions



### Wiring diagrams



### Certifications and compliance

#### Compliance

CSA C22.2 n° 142

IEC/EN 61131-2

UL508

#### Certificates

cULus

EAC