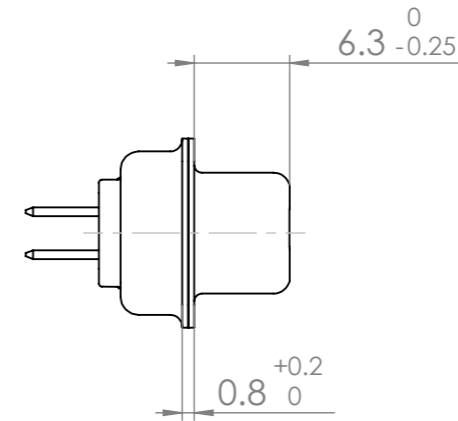
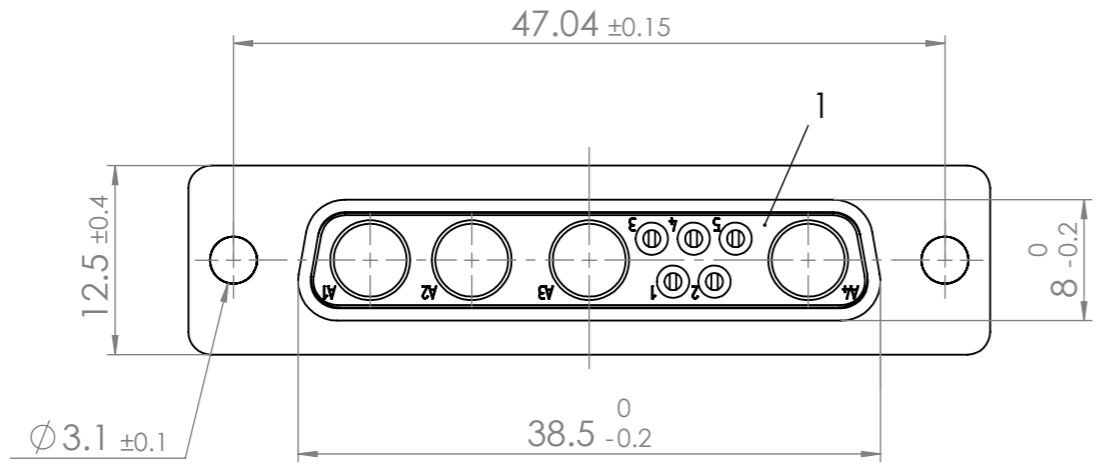
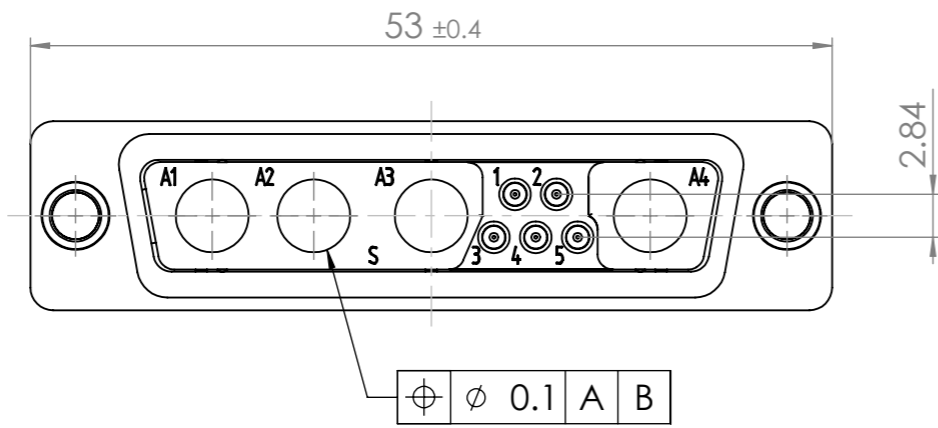
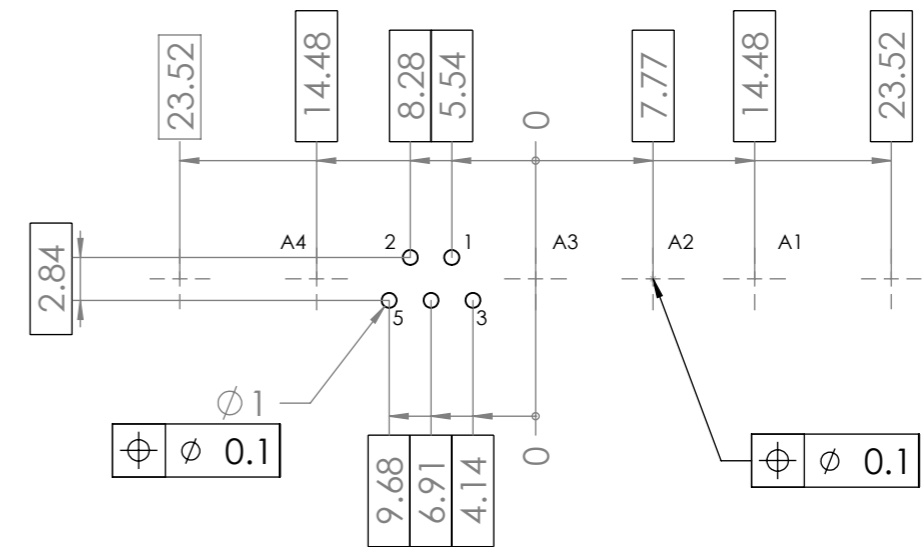
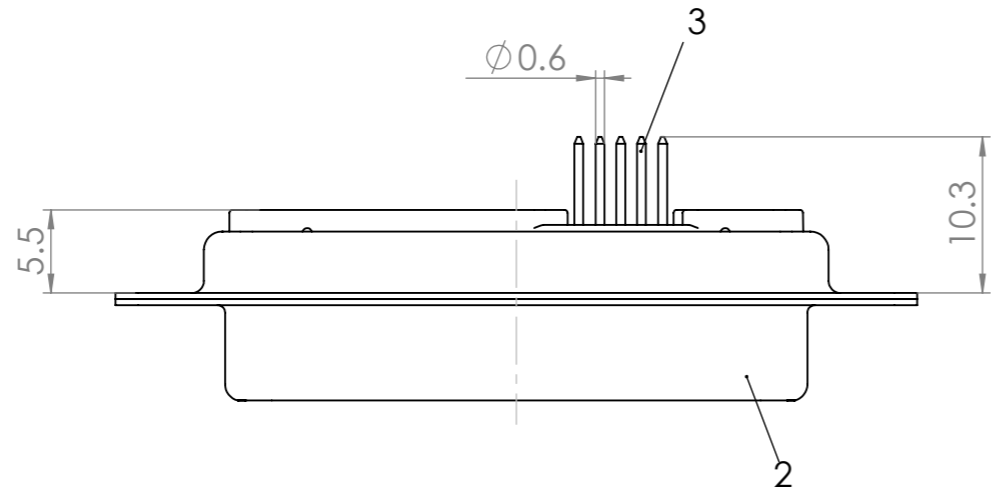


RoHS compliant  
by exemption



PCB hole pattern, mounting side



3	5	Signal contact	S1 / Brass	0.8µm Au
2	1	Shell	Steel	tin plated
1	1	Insulator	PBT (-55°C to +130°C) acc. UL94V-0	green
No.	St.	Part	Type Description/Material	Surface plating/Colour/Class

FUNCTIONAL SYMBOLS $\nabla_F = 0$ $\nabla_{FC} = 0$ $\nabla_{FP} = 0$					THIS DRAWING CONTAINS INFORMATION THAT IS PROPRIETARY TO MOLEX ELECTRONIC TECHNOLOGIES, LLC AND SHOULD NOT BE USED WITHOUT WRITTEN PERMISSION				
DIMENSION UNITS		SCALE		MEASUREMENTS WITHOUT TOLERANCE ACC. TO					
mm		2:1		ISO 2768-m					
CURRENT REVISION					PRODUCT CUSTOMER DRAWING				
DRWN: DRAWN BY		yyakovlyeva		01-02-2019		MATERIAL NUMBER		REVISION	
APPR: APPR BY		MTeubel		06-02-2019		1731070100		2	
INITIAL REVISION					DOCUMENT NUMBER				
DRWN: DRAWN BY		sschref		08-03-2006		FM9W4S1-K121		CUSTOMER	
APPR: APPR BY		aschiekofer		09-03-2006		GENERAL MARKET		SHEET NUMBER	
REPLACEMENT FOR:		FRIST ANGLE PROJECTION		DRAWING		A3-SIZE		1 OF 1	

COMMENT: ALL RIGHTS ARE RESERVED BY US FOR THIS DRAWING. WITHOUT OUR PRIOR CONSENT, IT MAY NEITHER BE DUPLICATED NOR MADE AVAILABLE TO A THIRD PARTY. AND IT ALSO MAY NOT BE IMPROPERLY USED BY THE RECEIVER, OR A THIRD PARTY.