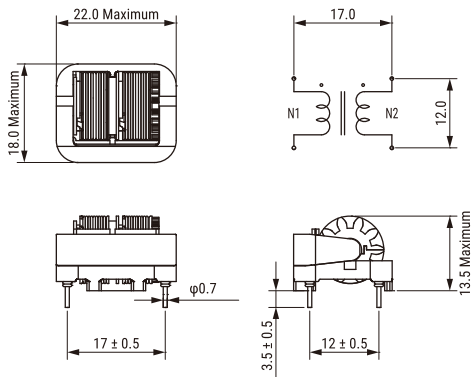


KEMET Part Number: SSR10H-10170
(UALR10H1017000)

KEMET, SSR10V/H, AC Line Filters, Common Mode, 0.017 H



Dimensions

L	22mm MAX
T	18mm MAX
H	13.5mm MAX
LL	3.5mm +/-0.5mm
S	17mm +/-0.5mm

Packaging Specifications

Packaging:	Tray
Packaging Quantity:	300
Weight:	9 g

General Information

Series:	SSR10V/H
Style:	Through-Hole
Features:	Small Standard Common Mode, High Permeability, Compact Size, Low Profile, Light Weight, High Impedance, Strong Inductance
RoHS:	Yes
Miscellaneous:	55 (K) Temperature Rise Max.

Specifications

Voltage AC:	250 VAC
Inductance:	17 mH (10 kHz)
Current:	1 A
Temperature Range:	-25/+120°C
DC Resistance:	480 mOhms