

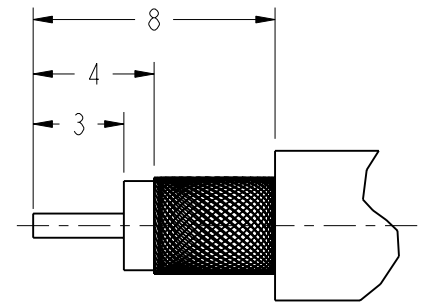
NOTES:

1. MATERIAL AND FINISH:
 BODY, NUTS, WASHERS, RETAINING RING & TOP HAT - BRASS, NICKEL PLATING
 CONTACT - BRASS, GOLD PLATING
 INSULATOR & RING - DELRIN, NATURAL
 LOOSE GASKET, SILICONE RUBBER, NATURAL
 ASSEMBLED GASKET, RUBBER, NATURAL
2. ELECTRICAL:
 A. IMPEDANCE: 50 OHM
 B. FREQUENCY RANGE: 0-6 GHz
 C. DIELECTRIC WITHSTANDING VOLTAGE: 1500 VRMS. MIN.
3. MECHANICAL:
 A. DURABILITY: 500 CYCLES MIN.
 B. TEMPERATURE RANGE: -40°C TO +85°C
4. CRIMPED CONTACT PIN
 HEX CRIMP SIZE .068"
5. ASTERISK (*) INDICATES CABLE ENTRY DIM'S

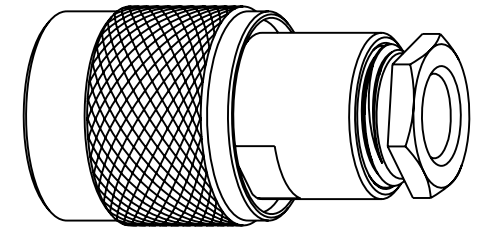
THIRD ANGLE PROJ.

REVISIONS

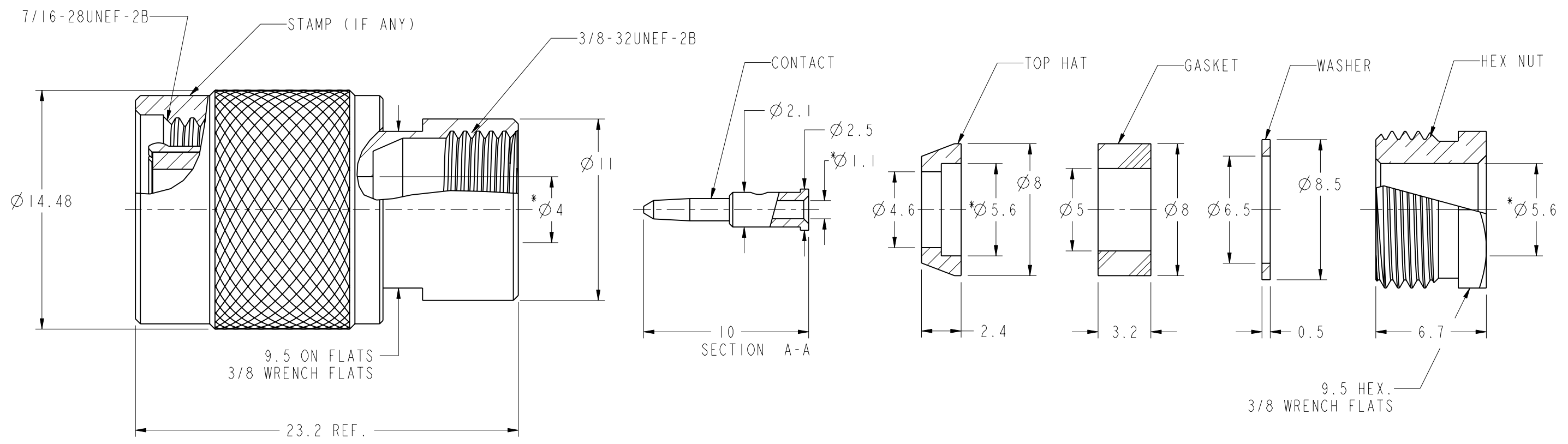
REV	DESCRIPTION	DATE	ECO	APPR
C	ADDED COD	17-Dec-12	49354	S.H



SCALE 4.000
 RECOMMENDED
 CABLE STRIPPING DIM'S



SCALE 2.000



CUSTOMER OUTLINE DRAWING
 ALL OTHER SHEETS ARE FOR INTERNAL USE ONLY

UNLESS OTHERWISE SPECIFIED, DIMENSIONS ARE IN METRIC AND TOLERANCES ARE: <0.5mm ±0.05mm 0.5 - 6mm ±0.1mm 6 - 30mm ±0.2mm 30 - 120mm ±0.3mm ANGLES ±1°	MATERIAL	DRAWN C. TONG	DATE 17-Dec-12	TITLE TNC, CLAMP PLUG (FOR RG-58C/U, 58/U 142A/U, 223/U)	Amphenol RF www.amphenolrf.com
	REFERENCE	ENGINEER C. TONG	DATE 17-Dec-12		
NOTICE - These drawings, specifications, or other data (1) are, and remain the property of Amphenol corp. (2) must be returned upon request; and (3) are confidential and not to be disclosed to any person other than those to whom they are given by Amphenol Corp. the furnishing of these drawings, specifications, or other data by Amphenol Corp., or to any other person to anyone for any purpose is not to be regarded by implication or otherwise in any manner licensing, granting rights to permitting such holder or any other person to manufacture, use or sell any product, process or design, patented or otherwise, that may in any way be related to or disclosed by said drawings, specifications, or other data.	CONFIGURATION LEVEL:	APPROVED S. HESIEH	DATE 20-Dec-12	SCALE: 4.0:1.0 SHEET 2 OF 2	ITEM NO. 021141AAA58ND5F
	FINISH	Root folder\T1141CI-ND3G-58U-50	CAD FILE	DWG SIZE B	REV C

Mouser Electronics

Authorized Distributor

Click to View Pricing, Inventory, Delivery & Lifecycle Information:

[Amphenol:](#)

[000-79875-RFX](#)