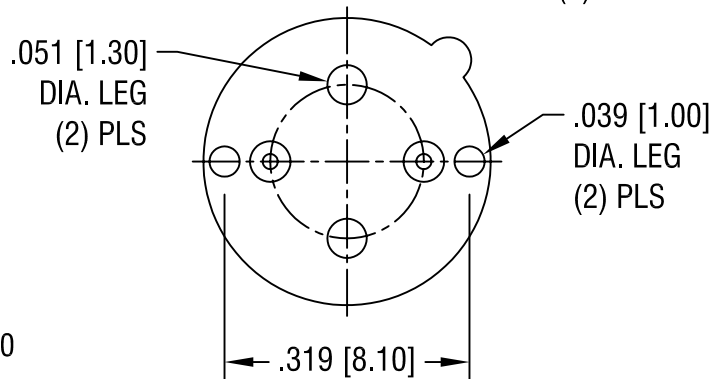
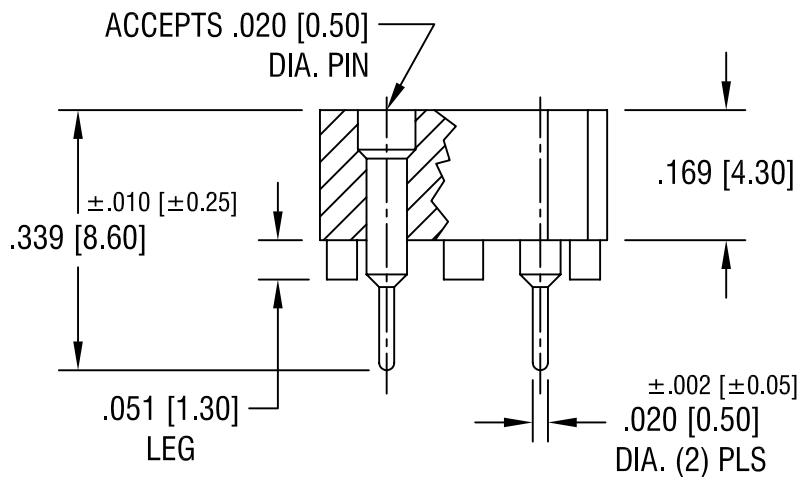
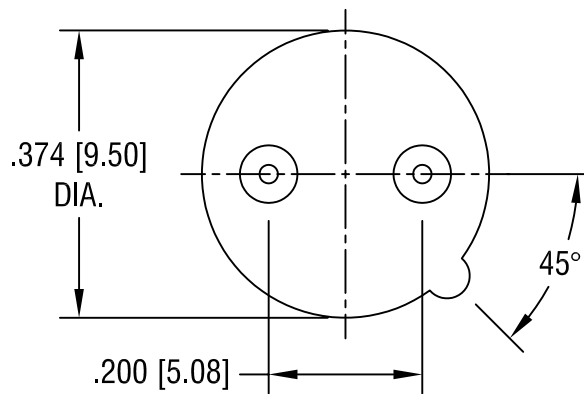
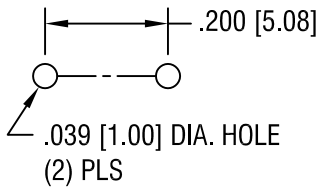


THIS DOCUMENT IS THE PROPERTY OF
KEYSTONE ELECTRONICS CORP. AND
SHALL NOT BE REPRODUCED, DISTRIBUTED
OR USED AS A BASIS FOR MANUFACTURE
WITHOUT PRIOR WRITTEN PERMISSION
FROM KEYSTONE ELECTRONICS CORP.

MOUNTING DETAIL



NOTES:

- 1. INSULATOR:
 MAT'L - THERMOPLASTIC, UL94 V-0
- CONTACT PIN:
 MAT'L - BRASS
 FINISH - TIN PLATE
- CONTACT SPRING:
 MAT'L - BERYLLIUM COPPER
 FINISH - GOLD PLATE

KEYSTONE ELECTRONICS CORP.

ASTORIA, N.Y. 11105-2017

PART NAME				SUBMINIATURE FUSE HOLDER			
MATERIAL				AS NOTED			
FINISH		AS NOTED		DRN BY	BOONE	DATE	6.20.06
TOLERANCES		INCH [MM]		APP'D	LN	SCALE	4X
DECIMAL		±.005 [±0.15]		DWG NO.		3556	
ANGULAR		± 1°		C/M		UNLESS OTHERWISE SPECIFIED	

DATE	DESCRIPTION	REV.
------	-------------	------

Mouser Electronics

Authorized Distributor

Click to View Pricing, Inventory, Delivery & Lifecycle Information:

[Keystone Electronics:](#)

[3556](#)