

FEATURES

- IP67
- Front/ screw mounting with M16 thread
- Solder Terminals

RS PRO M12 MALE FRONT PANEL MOUNT CONNECTOR 5 PIN 16 X 1.5 mm THREAD SOLDER TERMINAL

RS Stock No.: 2080593



RS Professionally Approved Products bring to you professional quality parts across all product categories. Our product range has been tested by engineers and provides a comparable quality to the leading brands without paying a premium price.

Product Description ATTRIBUTE 1

M12 Connector M16 Clamp Nut

A series of RS Pro M12 panel-mounted connectors has socket type connection. This panel mount connector has a voltage rating of 250VAC and a current rating of up to 4A per contact.

Features & Benefits

- Front/ screw mounting with M16 thread
- Solder Terminals
- Number of poles: 5

Applications

The RS PRO series of M12 panel mount connectors are generally used in industrial applications. They are typically used when connecting to sensors and actuators. Some of the most popular areas are

- Instrumentation
- Process control
- Robotics
- Assembly lines
- Factory automation
- Industrial automation

General Specifications

Rated Operational Voltage	60 V
Current Rating	4A
Insulation Resistance	>= 100 MΩ
Temperature Range	-25°C ... +75°C
Mounting	Front (M16 x 1.5)
Coding	A-Coded

Material Specifications

Housing Material	Brass Ni Plated
Contact	Cu-Zn
Contact Plating	Gold Flash
Contact Carrier	Nylon 66

RS PRO M12 PANEL MOUNT CONNECTOR

O-Ring	NBR
Pole	5
Clamp Nut	M16 x 1.5
Termination	Solderable

Protection Category

Degree of Protection	IP67
----------------------	------

Additional Information

Custom Tariff Number	85369090
----------------------	----------

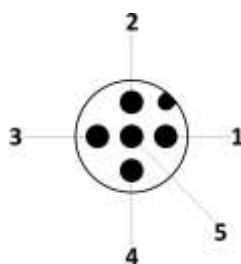
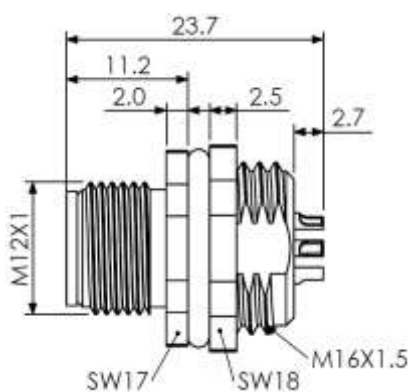
Approvals

Standards Met	IEC 61076-2-101
---------------	-----------------

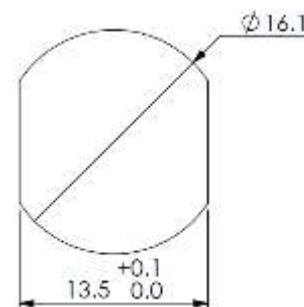
Similar Products

Stock No.	Brand	Product Name	Attribute 1	Attribute 2
877-1154	RS PRO	RS PRO Connector, 5 Pin Panel Mount M12 Socket, Pre-Wired IP67	M12 Panel Connector Front Mount	Industrial Automation Cable Assemblies

Connection Diagrams / Assembly Diagrams / Illustrations / Accessories



Panel Cutout



All Dimensions are in mm.