

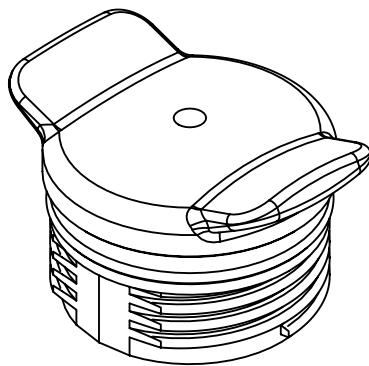
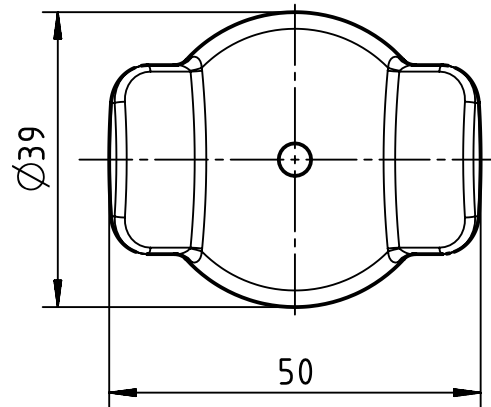
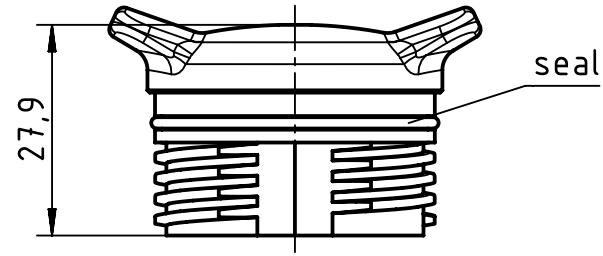
1 2 3 4 5 6


A

B

C

D



	All Dimensions in mm Original Size DIN A4		Scale 1:1	Free size tol.		Ref.		
	All rights reserved Department EL PD - DE		Created by HOLLERT	Inspected by RIEPE	Standardisation SCHMIDTM	Date 2016-06-10	State Final Release	
HARTING Electric GmbH & Co. KG D-32339 Espelkamp			Title Han F+B cover-HTE blue			Doc-Key / ECM-Nr. 100673968/UGD/001/A 500000105098		
			Type TB	Number 09 15 513 5411			Rev. A	Page 1/1