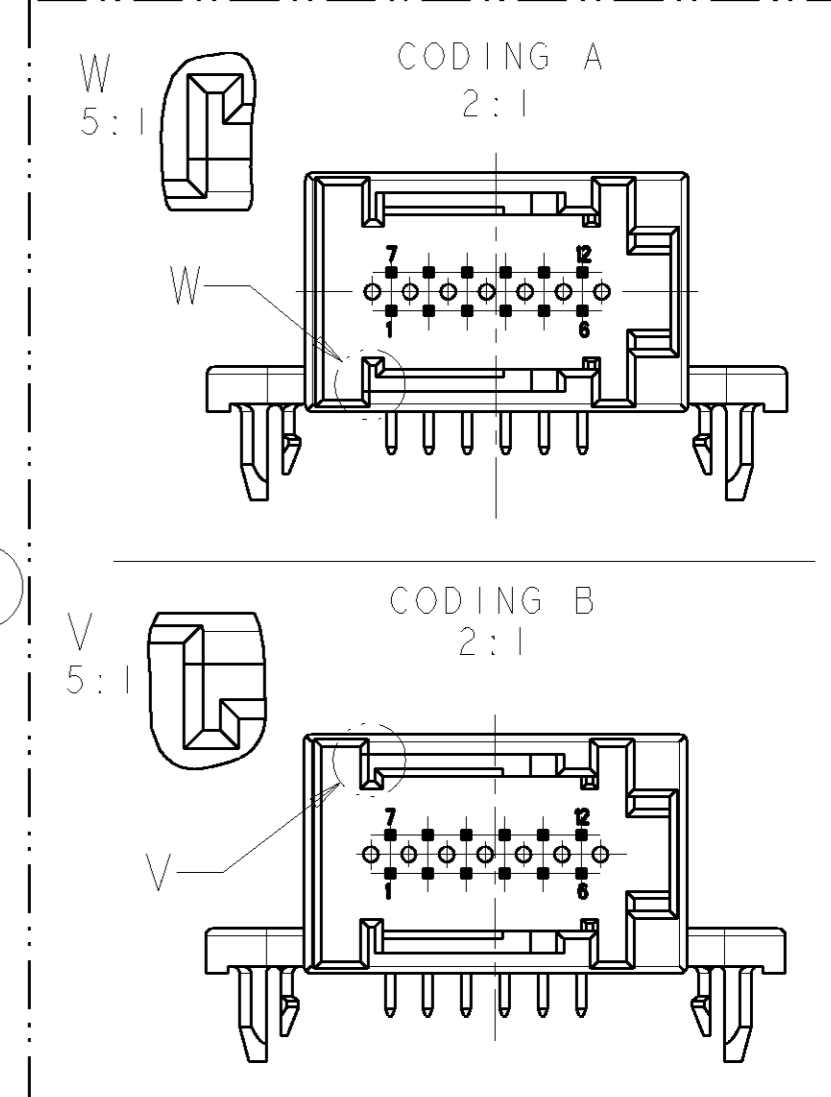
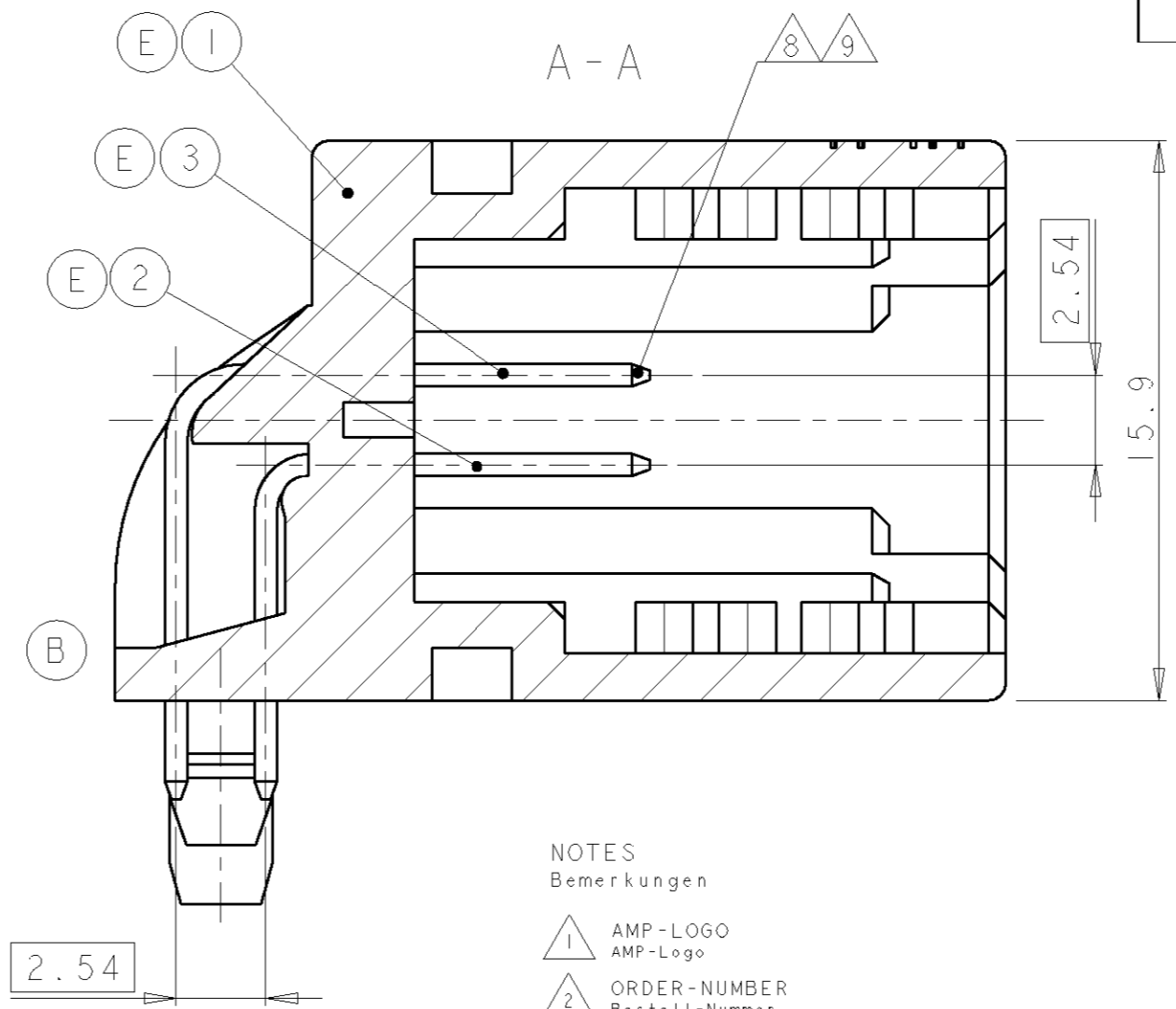
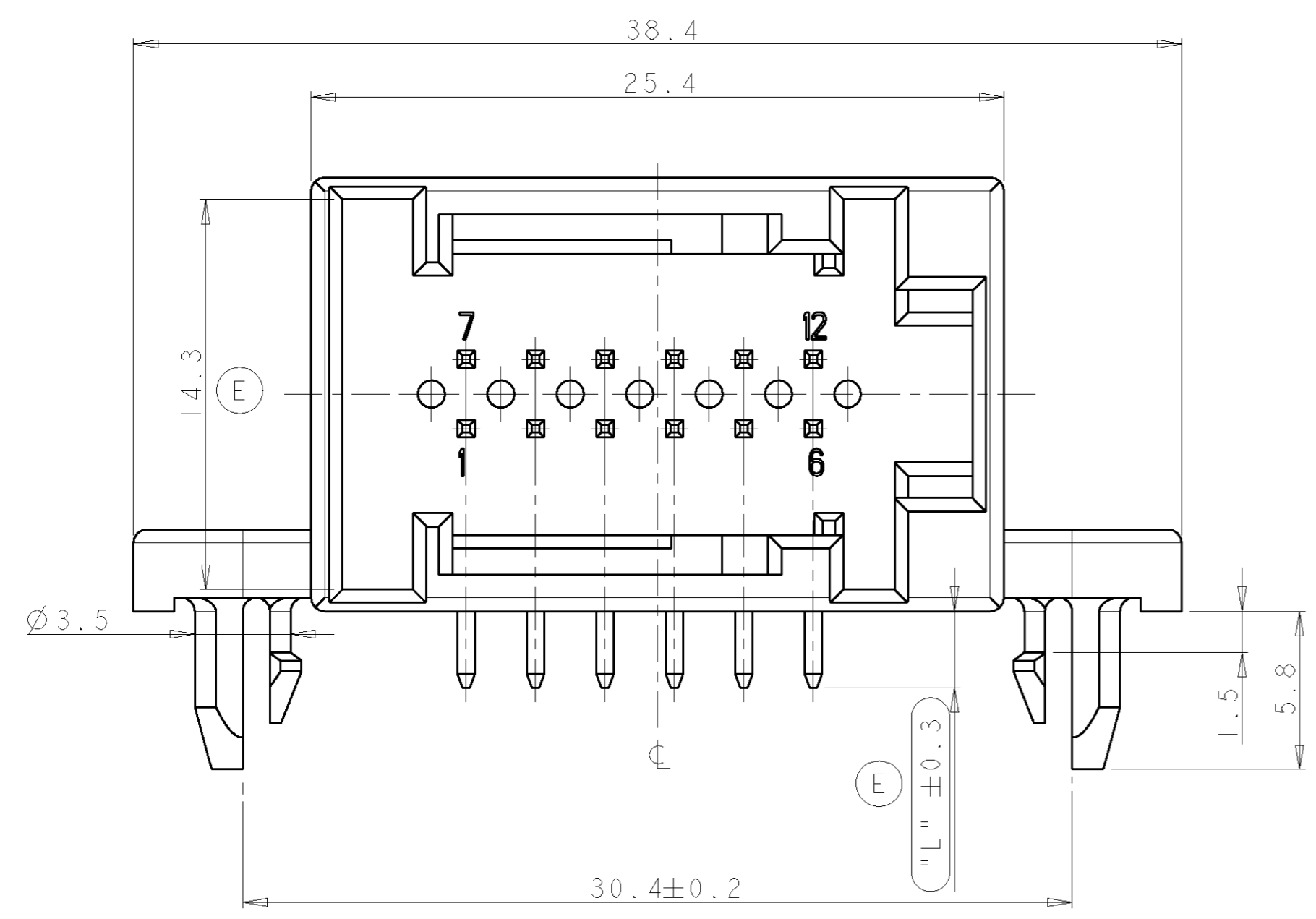


PROJECT NO.
 B916823
 A98-52300

REVISIONS					
P	LTR	DESCRIPTION	DATE	DWN	APVD
D1		SEE PCN EG00-2505-00-1	20OCT2000	REH	VB
D2		SEE PCN EG00-0134-01-2	11JAN2001	REH	VB
E		SEE PCN EG00-0553-03-2	17FEB2003	LN	REH
E1		SEE PCN EG00-1054-03-1	24MAR2003	LN	REH



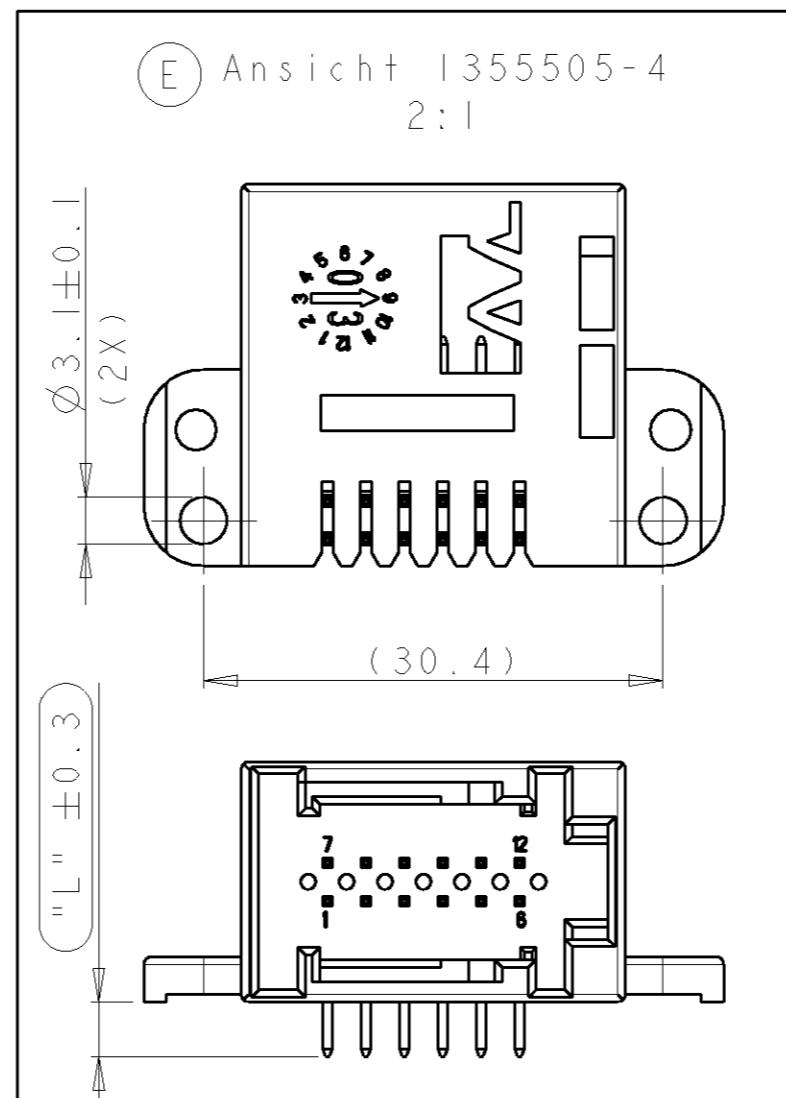
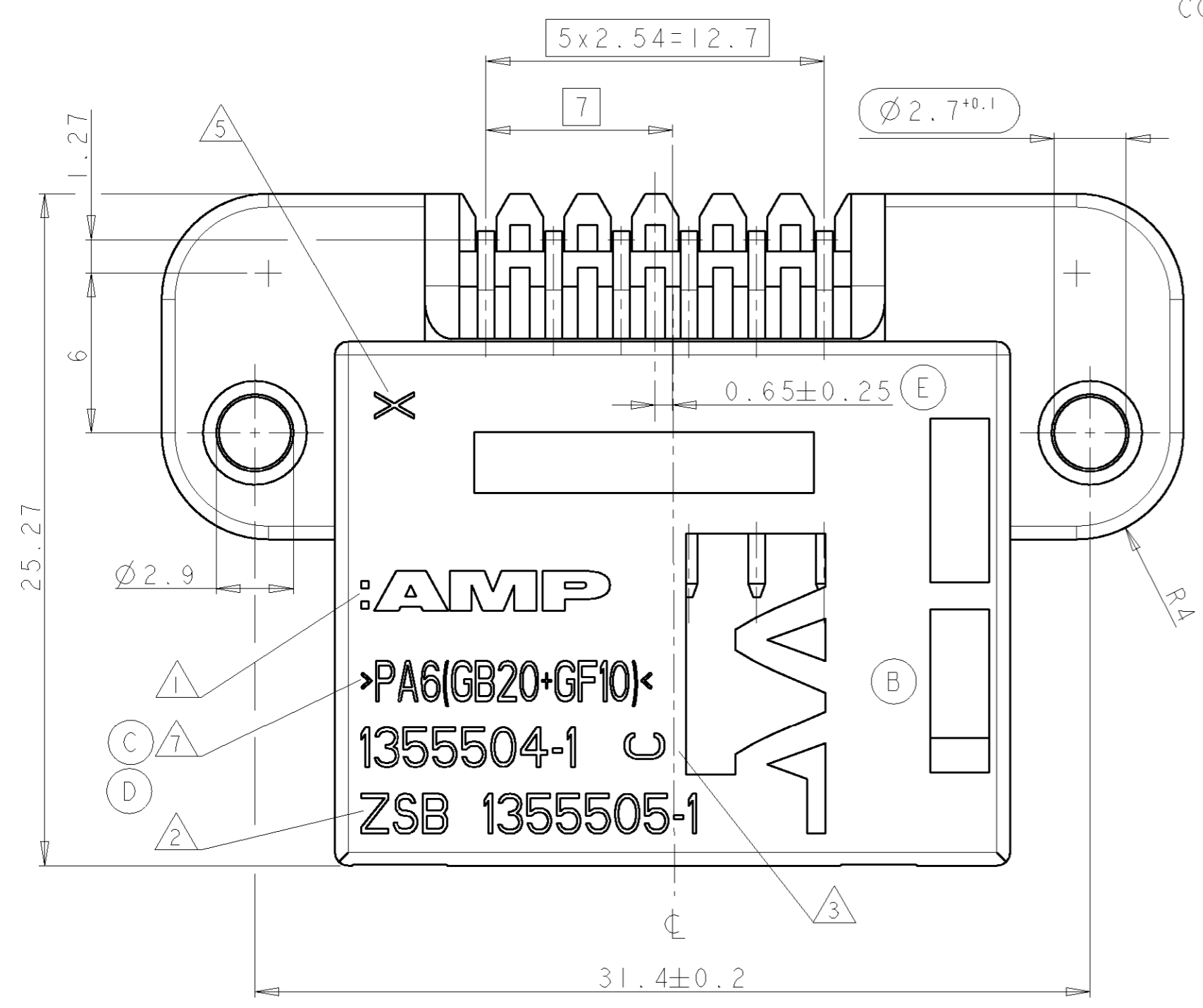
CODING Z AS DRAWN

NOTES
 Bemerkungen

- 1 AMP-LOGO
AMP-Logo
- 2 ORDER-NUMBER
Bestell-Nummer
- 3 REVISIONS-NUMBER
Werkzeugänderungsindex
- 5 CAVITY MARKING
Nestmarkierung
- 6 PACKAGING IN LAYERS ACC. TO AMP-SPEC. 107-18032-300
Lagenverpackung nach AMP-Spez. 107-18032-300
- 7 MATERIAL MARKING
Werkstoffkennzeichnung
- 8 PIN TIPS ACC. TO TYCO SPEC. 114-18063
Tabspitzen nach Tyco Spez.
- 9 ELECTRICAL VALUES ACC. TO 114-18021
elektrische Werte nach

MATING WITH
 Passend zu

929051-1	- COVER WITH LEVER
967671-1/-3	- COVER WITH LEVER
968473-1	- MOS SOCKET HSG.



E	1355505-4	A	B	3.6	MODU II PIN	6	CuSn6	TIN PLATED (MIN. THICKN. 2 µm)	3
					MODU II PIN	6	CuFe2	TIN PLATED (MIN. THICKN. 1 µm)	2
1355505-3	A	B	2.8	MODU II PIN	6	CuSn6	TIN PLATED (MIN. THICKN. 2 µm)	3	
				MODU II PIN	6	CuSn6	TIN PLATED (MIN. THICKN. 2 µm)	2	
1355505-2	A	A	2.8	MODU II PIN	6	CuSn6	TIN PLATED (MIN. THICKN. 2 µm)	3	
				MODU II PIN	6	CuSn6	TIN PLATED (MIN. THICKN. 2 µm)	2	
1355505-1	D	Z	2.8	MODU II PIN	6	CuSn6	TIN PLATED (MIN. THICKN. 2 µm)	3	
				MODU II PIN	6	CuSn6	TIN PLATED (MIN. THICKN. 2 µm)	2	
Assy No.	Rev. Cod.	"L"	Description	Pcs.	Material	Surface Finish	No.		

THIS DRAWING IS A CONTROLLED DOCUMENT FOR TYCO ELECTRONICS CORPORATION. IT IS SUBJECT TO CHANGE AND THE CONTROLLING ENGINEERING ORGANIZATION SHOULD BE CONTACTED FOR THE LATEST REVISION.

DWN: M. Reinhardt 17MA199
 CHK: M. Reinhardt 19MAY99
 APVD: -

AMP Deutschland GmbH
 D - 63225 Langen

NAME: 12POS. MOS PIN HEADER 90°, ASSY
 12pol.MOS Stiftleiste 90°, Assy

PRODUCT SPEC: 108-18671-0
 APPLICATION SPEC: 114-18314-0

SIZE: A2
 CAGE CODE: 00779
 DRAWING NO: G-1355505

RESTRICTED TO: -

CUSTOMER DRAWING
 SCALE: 5:1
 SHEET: 1 OF 1
 REV: E1