

This document is the property of Amphenol Corporation and is delivered on the express condition that it is not to be disclosed, reproduced or used, in whole or in part, for manufacture or sale by anyone other than Amphenol Corporation without its prior consent, and that no right is granted to disclose or to use any information in this document.

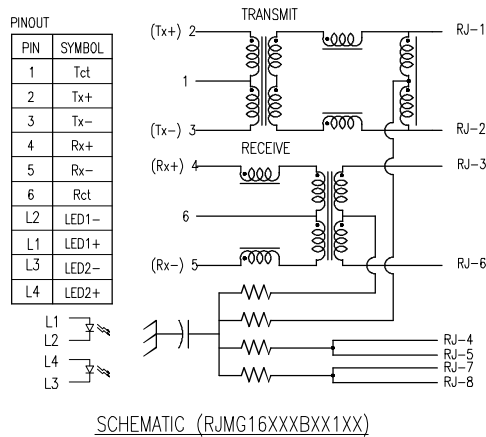
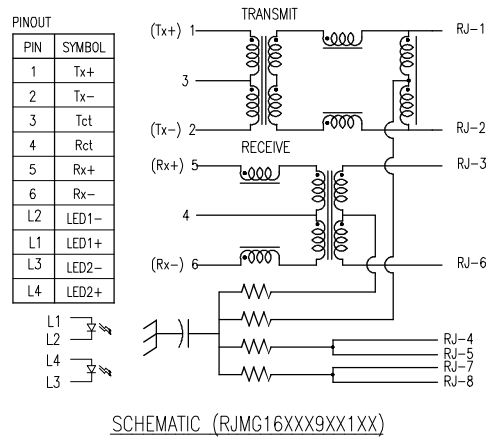
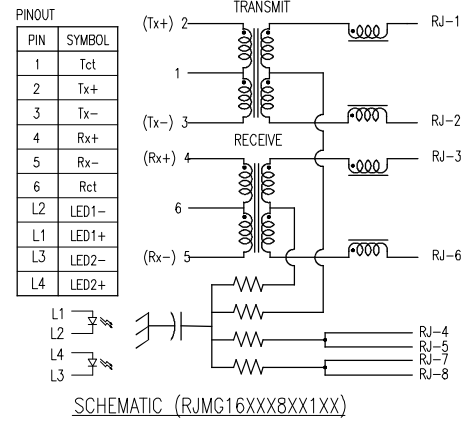
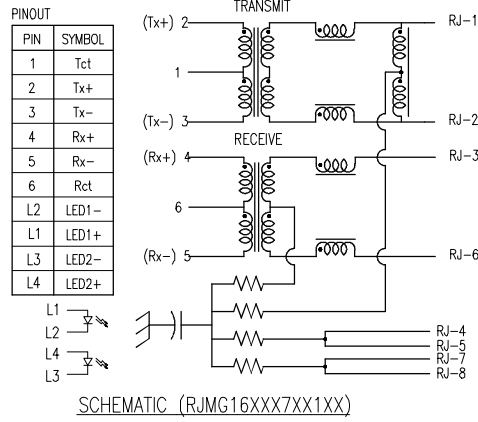
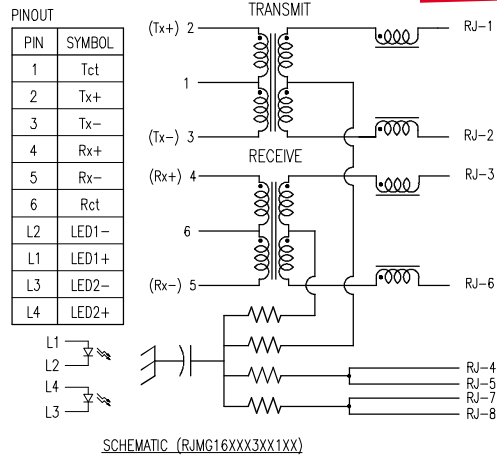
The marking on this product doesn't contain environmental hazardous materials per Material Specification SS-00259 for Sony GP compliant or per directive 2011/65/EU for RoHS compliant.

MFG CODE: _____

CUSTOMER DRAWING

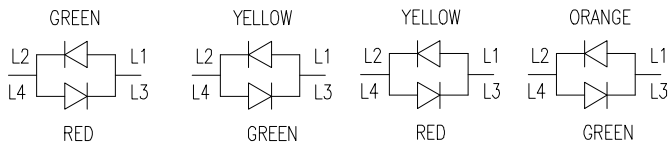
**PRELIMINARY RELEASE
SUBJECT TO CHANGE**

REVISIONS				
SYM	ECN No.	DESCRIPTION	DATE	APPROVED
C	NE-13016	ADD THE SCHEMATIC FOR ALL OPTIONS	01/24/2013	Roger Tsai
D	NE-14155	ADD LED OPTIONS	01/29/2015	Roger Tsai
EX1	/	UPDATE LED OPTIONS D/C CODE	09/29/2017	Lawrence Chan



RJMG16 X X X X X X 1 X X

- SHIELD OPTIONS**
 - 3: STANDARD SHIELD WITH SIDE TABS
- LED1 (RIGHT SIDE)**
 - 0: W/O LED
 - 1: GREEN
 - 2: YELLOW
 - 4: GREEN/YELLOW
 - 6: GREEN/ORANGE
- LED2 (LEFT SIDE)**
 - SEE LED1
- TERMINATION OPTIONS**
 - 3: SEE THE SCHEMATIC IN PAGE 2.
 - 7: SEE THE SCHEMATIC IN PAGE 2.
 - 8: SEE THE SCHEMATIC IN PAGE 2.
 - 9: SEE THE SCHEMATIC IN PAGE 2.
 - B: SEE THE SCHEMATIC IN PAGE 2.
- COMPLIANCE CODE**
 - BLANCK: NONE-ROHS
 - R: RoHS Compliant
- PLATING THICKNESS ON MATING CONTACTS AND SHIELD SPEC**
 - L: Gold Flash, STAINLESS STEEL T=0.2MM.
 - M: Gold 15u in, STAINLESS STEEL T=0.2MM.
 - N: Gold 30u in, STAINLESS STEEL T=0.2MM.
- TIA WIRING**
 - 0: STANDARD
- URNS RATIO (TRANSMIT)**
 - 1: 1:1



TOLERANCE	APPROVALS	DATE	TITLE			
X. X.X ±0.35 X.XX ±0.25 X.XXX ±0.15	DRAWN Arvin Ye	09/29/2017	SINGLE PORT RJmag CONNECTOR SHIELD, WITH R&C TERMINATION 10/100			
	CHECKED Vivian Wen	09/29/2017				
ANGULAR ±1°	APPROVED Lawrence Chan	09/29/2017	UNIT mm	SIZE A3	PART No. RJMG16XXXXXX1XX	
UNLESS OTHERWISE SPECIFIED	DWG TYPE CUST DWG	PROJECT CODE GT278	SCALE NA	SHEET 2 OF 3	DWG No. RJMG16XXXXXX1XX	REV. EX1

Amphenol®

Amphenol Corporation
Amphenol Taiwan Corporation

This document is the property of Amphenol Corporation and is delivered on the express condition that it is not to be disclosed, reproduced or used, in whole or in part, for manufacture or sale by anyone other than Amphenol Corporation without its prior consent, and that no right is granted to disclose or to use any information in this document.

The marking on this product doesn't contain environmental hazardous materials per Material Specification SS-00259 for Sony GP compliant or per directive 2011/65/EU for RoHS compliant.

MFG CODE: _____

PRELIMINARY RELEASE
SUBJECT TO CHANGE

REVISIONS				
SYM	ECN No.	DESCRIPTION	DATE	APPROVED
C	NE-13016	ADD THE SCHEMATIC FOR ALL OPTIONS	01/24/2013	Roger Tsai
D	NE-14155	ADD LED OPTIONS	01/29/2015	Roger Tsai
EX1	/	UPDATE LED OPTIONS D/C CODE	09/29/2017	Lawrence Chan

TURN RATIO 1:1±5%

PARAMETER	TYPE	LIMITS (MAX. OR MIN.)	FREQUENCY RANGE/TEST CONDITIONS
INSERTION LOSS (RX/TX)	-0.8dB TYP.	-1.0dB MAX.	1-100 MHz
RETURN LOSS (RX/TX)	-22dB TYP. -18dB TYP. -12dB TYP.	-18dB MIN. -18+20log(f/30)dB MIN. -12dB MIN.	1-30 MHz 30-60 MHz 60-80 MHz
DC RESISTANCE	0.5 ohm MIN.	1.0 ohm MAX full 0.5 ohm MAX half	DC
CM-CM REJECTION	-40dB TYP.	-30dB MIN.	0-100MHz
CM-DM REJECTION	-40dB TYP.	-35dB MIN.	0-100MHz
CROSSTALK (PAIR TO PAIR)	-38dB TYP.	-35dB MIN.	0-100MHz
HIPOT (ISOLATION)	2.25KV/1.5KVrms.	2.25KV/1.5KVrms.	60S DC/AC
OCL	500uH TYP.	350uH MIN.	100KHz 8mV DC BIAS

LED PERFORMANCE:

PARAMETER	SINGLE COLOUR		BICOLOUR		UNITS
	GREEN	YELLOW	GREEN	ORANGE	
FORWARD CURRENT IF MAX	30	30	30		mA
REVERSE CURRENT IR MAX	10	10	10		uA
REVERSE VOLTAGE VR MAX	-5	-5	-5		V
T OPERATURE TOP	-40~+85	-40~+85	-40~+85		℃
T SOLDERING TURE TS	260+/-5	260+/-5	260+/-5		℃
POWER DISS. Pd	100	100	100		mW
PEAK WAVELENGTH	565	585	565	605	nM
FORWARD VOLTAGE TYP	2.5	2.1	2.2	2.0	V
FORWARD VOLTAGE MAX	2.9	2.6	2.6	2.6	V



MATERIALS:

INSULATOR: THERMOPLASTIC POLYESTER, NYLON
COLOR: BLACK
FLAMMABILITY RATING UL 94V-0

CONTACTS (RJ/MAG): PHOSPHOR BRONZE
PLATING: SELECTIVE GOLD OVER MATING SURFACES.
100 MICRONS TIN PLATING ON TAILS.

SHIELD: STAINLESS STEEL T=0.2MM .

DIMENSIONS MARKED WITH "*" SHALL BE MEASURED.

MECHANICAL FEATURES:

SOLDERABILITY: MIL-STD-202, METHOD 208.

MATING/UNMATING FORCE:

RJ PORT :MATING/UNMATING 2.1Kg MAX
RETENTION FORCE FOR RJ PORT: 5Kg FOR 1 MINUTE
MEET FCC PART 68.500 REQUIREMENTS.

Environmental

OPERATING TEMPERATURE: 0°C TO +70°C.

STORAGE TEMPERATURE: -40°C TO +85°C.

SOLDERING TEMPERATURE: 260°C FOR 10 SECONDS

ALTITUDE OPERATING RANGE: SEA LEVEL TO 3000m

Humidity: per MIL-STD-1344A, method 1002.1, test condition B

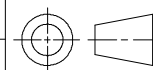
Thermal Shock: per MIL-STD-1344A, method 1003.1, test condition A

Vibration: per MIL-STD-1344A, method 2005.1, test condition J

Mechanical Shock: per MIL-STD-1344A, method 2004.1, test condition C

Salt Spray: 24 hours per MIL-STD-1344A, method 1001.1, test condition B

TOLERANCE	APPROVALS	DATE	TITLE		Amphenol®			
X. X.X ±0.35 X.XX ±0.25 X.XXX ±0.15	DRAWN Arvin Ye	09/29/2017	SINGLE PORT RJmag CONNECTOR SHIELD, WITH R&C TERMINATION 10/100		Amphenol Corporation Amphenol Taiwan Corporation			
	CHECKED Vivian Wen	09/29/2017						
	APPROVED Lawrence Chan	09/29/2017						
ANGULAR ±1°	DWG TYPE CUST DWG	PROJECT CODE GT278	UNIT mm	SIZE A3	PART No. RJMG16XXXXXX1XX	REV. EX1		
UNLESS OTHERWISE SPECIFIED			SCALE NA	SHEET 3 OF 3	DWG No. RJMG16XXXXXX1XX			



Mouser Electronics

Authorized Distributor

Click to View Pricing, Inventory, Delivery & Lifecycle Information:

Amphenol:

[RJMG163128101NR](#) [RJMG163218101NR](#) [RJMG163217101NR](#) [RJMG163447101NR](#) [RJMG163127101NR](#)
[RJMG163118101NR](#) [RJMG221B44441ER](#) [RJMG1V100T1012R](#) [RJMG163268104FR](#) [RJMG101008101ER](#)
[RJMG2V1016210ER](#) [RJMG1V244T1012R](#) [RJMG264413101NRG](#) [RJMG201821230ER](#) [RJMG221071230LR](#)
[RJMG241KM2190ER](#) [RJMG12173A1R03RP](#) [RJMG1V80021D1CSEN](#) [RJMG201GM41202R](#) [RJMG101008101DR](#)
[RJMG10N217101ER](#) [RJMG1V121K1012R](#) [RJMG201022180ER](#) [RJMG108217101DR](#) [RJMG163123101NR](#)
[RJMG163268101NR](#) [RJMG163117101NR](#) [RJMG163228101NR](#) [RJMG16326310MR](#) [RJMG108007101ER](#)
[RJMG101117101ER](#) [RJMG021021105CR](#) [RJMG11800S101BR](#) [RJMG201032630FR](#) [RJMG1610221D0NR](#)
[RJMG1610200D0NR](#) [RJMG138267101ER](#) [RJMG118519101ER](#) [RJMG11821A101BR](#) [RJMG111AAS101ER](#)
[RJMG133218101DR](#) [RJMG264443101ER](#) [RJMG2511221B0ER](#) [RJMG251011130CR](#) [RJMG224N321ALER](#)
[RJMG221036170NR](#) [RJMG201020080CR](#) [RJMG3018M112AER](#) [RJMG2018321A1ER](#) [RJMG301DF1425ER](#)
[RJMG2V1012130FR](#) [RJMG2BA2131012R](#) [RJMG201020080ER](#) [RJMG1V80021D1ER](#) [RJMG1P1127102ER](#)
[RJMG1P1127102BR](#) [RJMG1B111T1010R](#) [RJMG1841271316R](#) [RJMG114127101ER](#) [RJMG1V2217101FR](#)
[RJMG201811230BR](#) [RJMG201032630NR](#) [RJMG20103211T0NR](#) [RJMG201024470ER](#) [RJMG221044430ER](#)
[RJMG163168101NR](#) [RJMG1217310003R](#) [RJMG121532110ER](#) [RJMG121032180NA](#) [RJMG111217101DR](#)
[RJMG1N30001043R](#) [RJMG163213101NR](#) [RJMG221129910NR](#) [RJMG16321B101NR](#) [RJMG16326B101NR](#)
[RJMG2B3112101ER](#) [RJMG2BD344110ER](#) [RJMG16112D101ER](#) [RJMG10300E1D1ER](#) [RJMG101007101CR](#)
[RJMG1216322600R](#) [RJMG1V22171012R](#) [RJMG1V2217101ER](#) [RJMG1V200T1012R](#) [RJMG113127101ER](#)
[RJMG2B34411012R](#) [RJMG2B344C101ER](#) [RJMG201826230ER](#) [RJMG1V8008151ER](#)