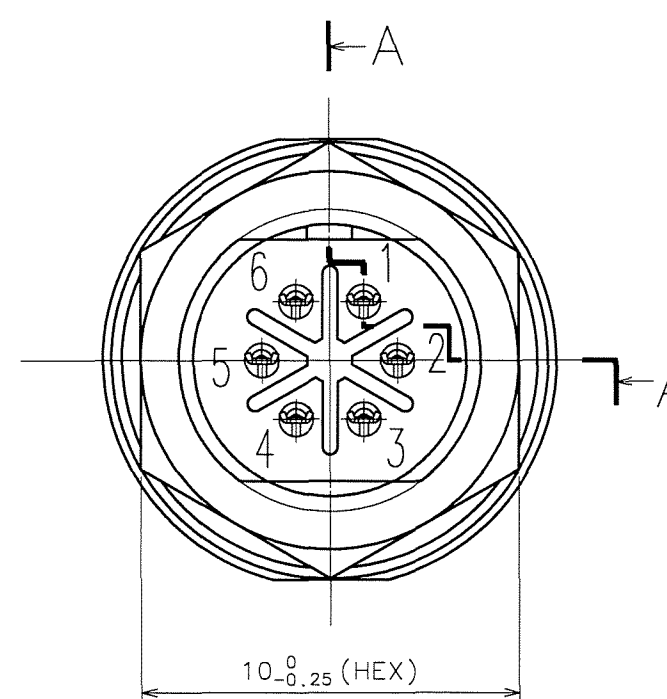
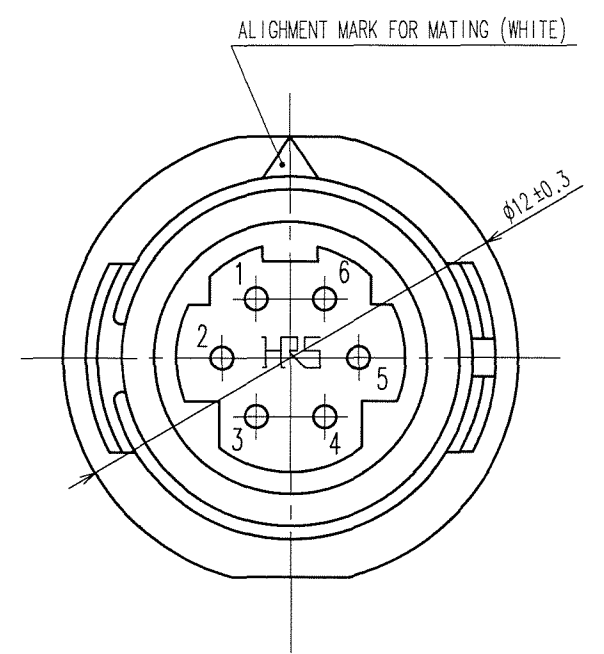
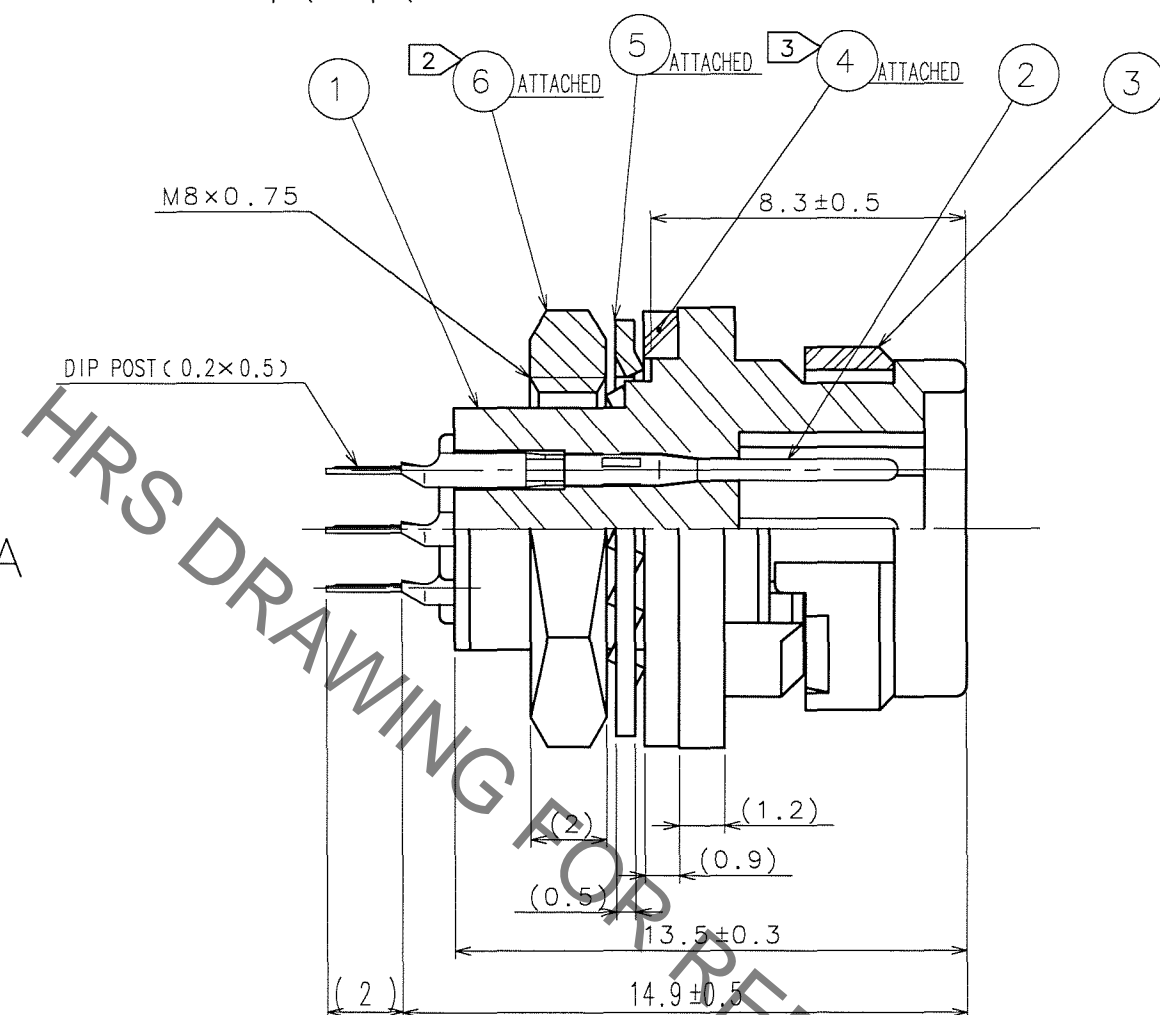
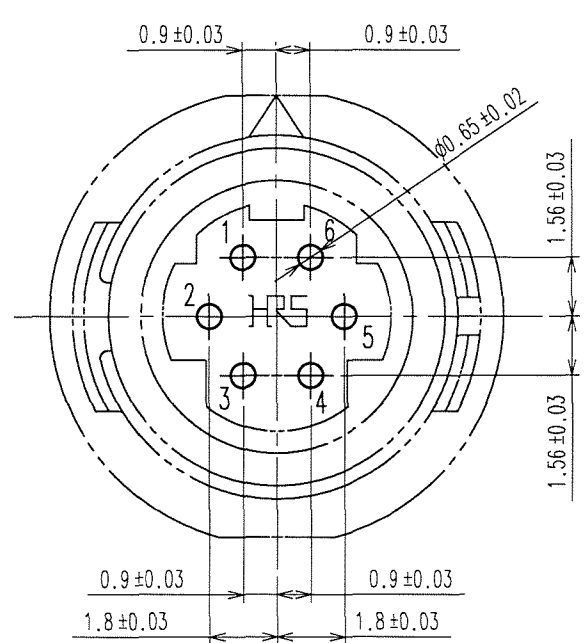


Aug.1.2020 Copyright 2020 HIROSE ELECTRIC CO., LTD. All Rights Reserved.  
In case of consideration for using Automotive equipment / device which demand high reliability, kindly contact our sales window correspondents.

COUNT	DESCRIPTION OF REVISIONS	BY	CHKD	DATE	COUNT	DESCRIPTION OF REVISIONS	BY	CHKD	DATE
1	DIS-C-000585	T.K	E.K	07.07.27					



DIP POST LOCATION DIMENSIONS IN THE VIEW FROM CONNECTOR OPENING SIDE  
(RECOMMENDED MAXIMUM PANEL THICKNESS : 1.2)



HRS DRAWING FOR REFERENCE

- NOTES
- FINISH OF REF.NO. ②  
CONTACT AREA : GOLD 0.2μm min.  
DIP AREA : GOLD FLASH.  
UNDER PLATING: NICKEL 2μm min.
  - RECOMMENDED TIGHTENING TORQUE OF REF.NO. ⑥ : 0.5 N·m.  
LOOSENED NUT MAY CAUSE THE DETERIORATION OF WATER-RESISTANCY.  
THE USE OF LOOSENING-PREVENTIVE ADHESIVE IS STRONGLY RECOMMENDED.  
RECOMMENDED THREAD LOCKER : LOCTITE 271, LOCKPRIMER 7649, HENKEL JAPAN LTD.
  - AFTER REF.NO. ④ IS INSERTED TO REF.NO. ①,  
REF.NO. ① IS MOUNTED ON THE PANEL.  
MAKE SURE THAT REF.NO. ④ DOES NOT HAVE ANY FACTORS TO REDUCE WATER-RESISTANCY,  
SUCH AS SCRATCH, TWIST, PINCHING, OR DUST.

3	PPS	(BLACK) UL94V-0	6	BRASS	NICKEL PLATING
2	COPPER ALLOY	1	5	PHOSPHOR BRONZE	NICKEL PLATING
1	PPS	(BLACK) UL94V-0	4	CR	(BLACK)
NO.	MATERIAL	FINISH, REMARKS	NO.	MATERIAL	FINISH, REMARKS

CODE NO. (OLD)	DRAWN	DESIGNED	CHECKED	APPROVED	RELEASED
CL	E.KUNII	E.KUNII		M.SATO	
	'05 10 14	'05 10 14		'05 10 17	

SCALE	DRAWING NO.	PART NO.
5 : 1	EDC3-113558-71	HR30-6R-6PD(71)
UNITS	HIROSE ELECTRIC CO., LTD	CODE NO.
mm		CL130-1020-3-71

TO  
R

# Mouser Electronics

Authorized Distributor

Click to View Pricing, Inventory, Delivery & Lifecycle Information:

[Hirose Electric:](#)

[HR30-6R-6PD\(71\)](#)