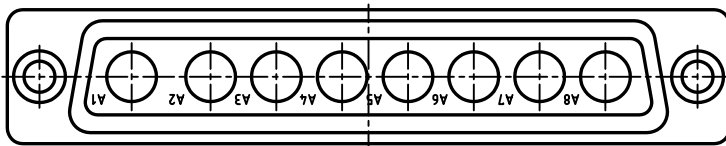
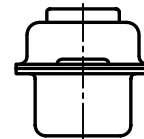
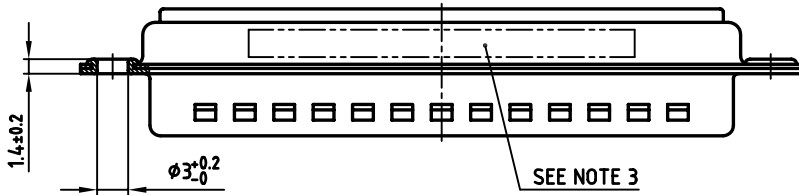
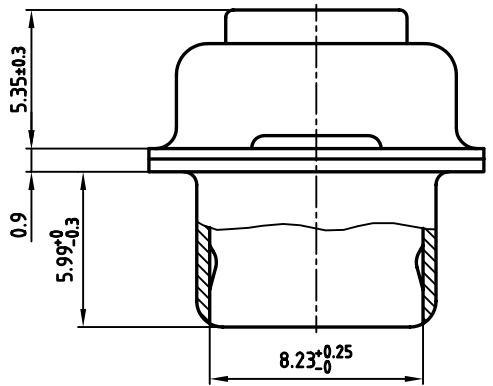
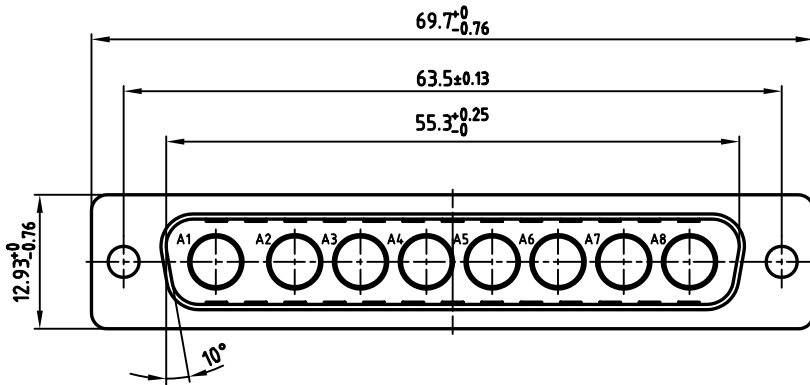


used for: D-SUB COMBINATION

5:1



**NOTES:**

1. METALSHELLS: STEEL; min. 315µin TIN over 40-80µin NICKEL
2. INSULATOR: PBT GF UL 94 V-0, GREEN
3. CONNECTOR IS PART MARKED: 3008W8PXX99A10X CONEC ABC



APPROVAL # FREIGABE # DEBLOCAGE # AUTORIZACION # APPROVAL	
CUSTOMER APPROVAL DATE:	
NAME:	TITLE:
COMPANY NAME:	
APPROVAL # FREIGABE # DEBLOCAGE # AUTORIZACION # APPROVAL	

THIS DRAWING MAY NOT BE COPIED OR REPRODUCED IN ANY WAY, AND MAY NOT BE PASSED ON TO A THIRD PARTY, WITHOUT WRITTEN PERMISSION. OWNERSHIP AND COPYRIGHT OF CONEC GmbH DO NOT ALTER CAD DRAWING BY HAND

rev.	description	date	name
1 x b	Ä 2744	10.07.2007	Lehmen
a	Origin		

tolerance		dim. in mm
1997	date	name
drawn	29.07.	Barcinski
appd.	29.07.	Mickenbecker
norm		
d-old		

scale:	2:1 ( 5:1 )
material:	SEE NOTES
title: <b>D-SUB COMBINATION MALE</b> 8W8P	
dwg no:	AutoCAD/REL.13 DIN-A
<b>16K1IBLA</b>	
part no: 3008W8PXX99A10X	
sh: 1/1	

# Mouser Electronics

Authorized Distributor

Click to View Pricing, Inventory, Delivery & Lifecycle Information:

[CONEC:](#)

[3008W8PXX99A10X](#)