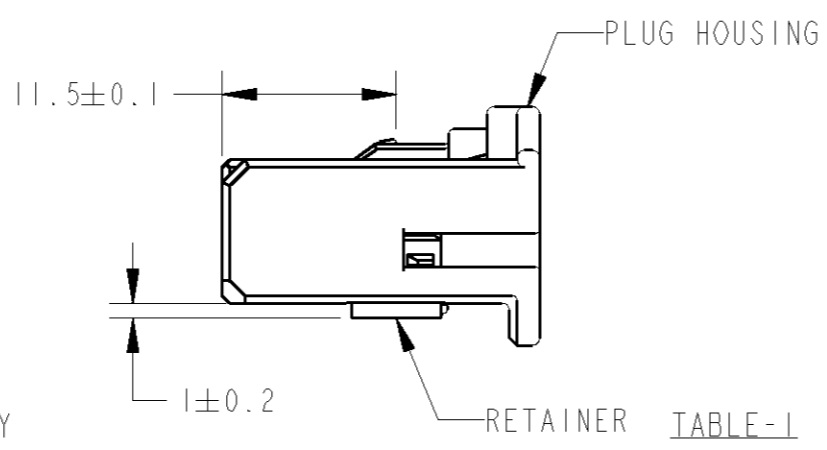
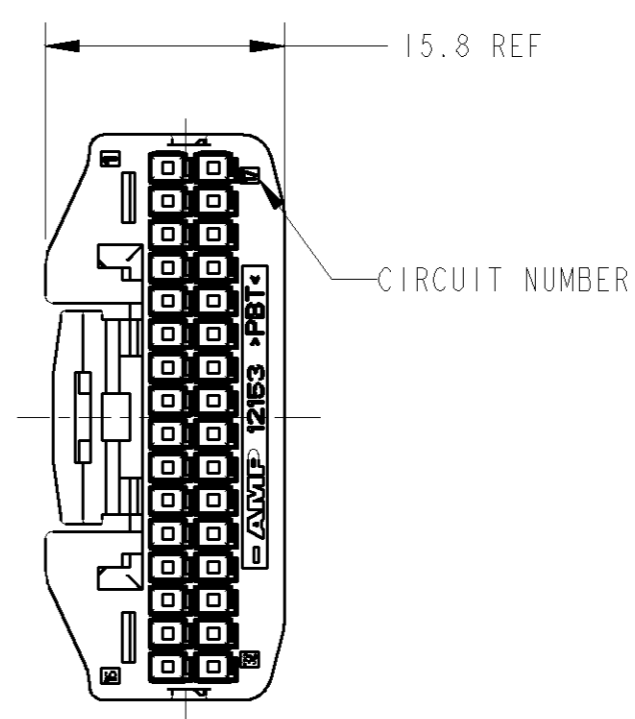
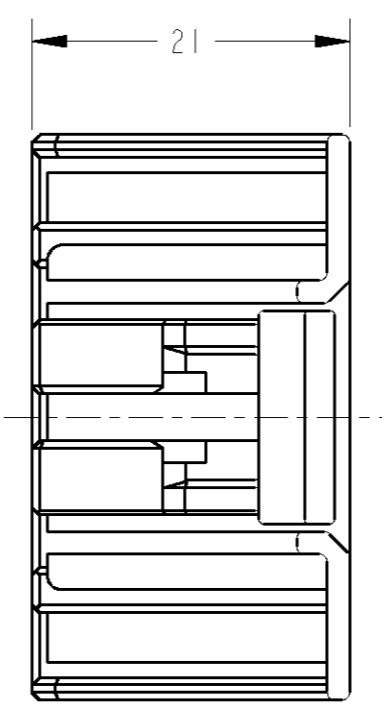
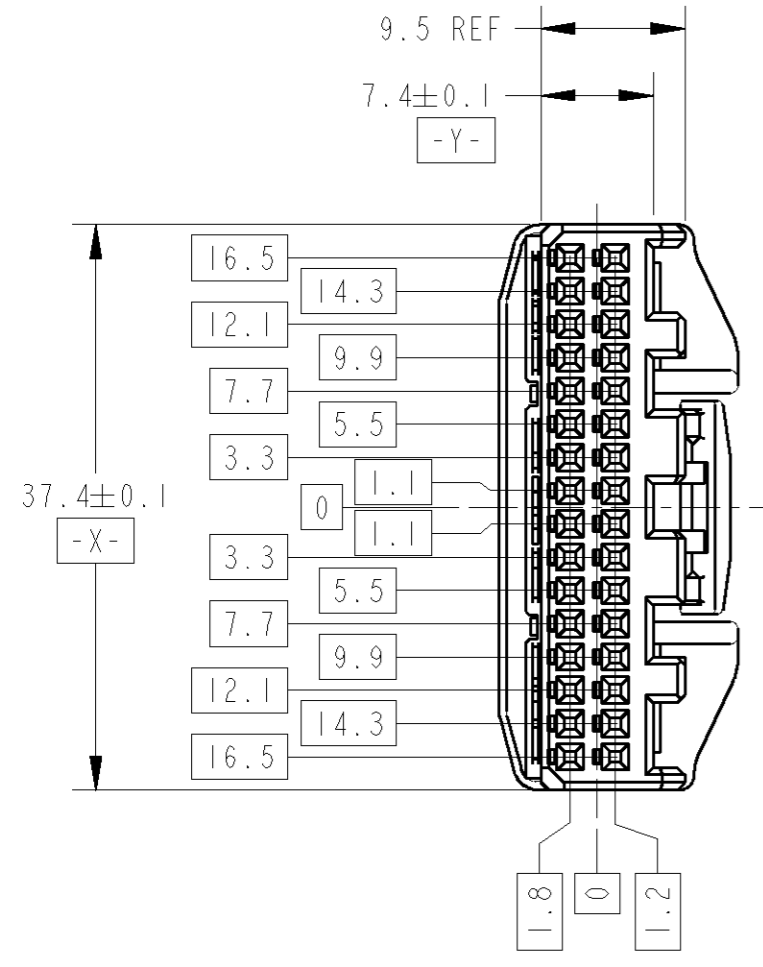


THIS DRAWING IS UNPUBLISHED. RELEASED FOR PUBLICATION 2011
 © COPYRIGHT 2000 ALL RIGHTS RESERVED.

LOC	DIST	REVISIONS					
J		P	LTR	DESCRIPTION	DATE	DWN	APVD
			A2	REVISED PER ECO-11-005140	09APR2011	RK	HMR
			A3	REVISED ECR-12-019260	08NOV2012	TS	KB



1. RETAINER SHOULD BE SET TO THE PRE- ASSEMBLY POSITION WITHIN THE PLUG HOUSING WHEN SHIPPED TO THE CUSTOMER
2. THE RETENTION LATCH OF THE RETAINER MUST BE OUT SIDE OF PLUG HOUSING WHEN PRE-ASSEMBLY
3. RETAINER RETENTION FORCE FROM HOUSING : 20N MIN
4. INSTRUCTION SHEET NO : 411-5928
5. PART NUMBER OF CAP HOUSING TO BE MATED : SEE TABLE -1
6. APPLIED TERMINAL : SEE TABLE -2

1. プラグハウジングにリテーナーを仮止して出荷する
2. 仮止時リテーナー突起がハウジングの外側に出ていること
3. リテーナーの仮止保持力は 20N 以上
4. 取扱説明書 NO : 411-5928
5. 嵌合相手型番は TABLE -1参照
6. 適応端子は TABLE -2参照

TABLE-2

		TERMINAL NO 端子型番	APPLICABLE WIRE RANGE 適用電線
SIGNAL	TIN	1123343-1	AVSS/CAVUS/AVSSH-f 0.3~0.5mm ² CAVS 0.22~0.5mm ²

TABLE-1

POS 極数	CAP ASSEMBLY PART NO キャップ 型番
32	1318745-1

PAPER BOX ダンボール	PLASTIC BAG ビニール袋	COLOR	PART NUMBER
OUTER 外装	INNER 内装	BLACK	1318747-2①
		NATURAL	1318747-1

THIS DRAWING IS A CONTROLLED DOCUMENT.

DWN N.YASUDA 09MAR00
 CHK N.SAI 10MAR00
 APVD N.SAI 10MAR00

PRODUCT SPEC 108-5668
 APPLICATION SPEC 114-5250

MATERIAL PBT FINISH SEE TABLE WEIGHT 4.71 g

SCALE 2:1 SHEET 1 OF 1 REV A3

TE TE Connectivity

025 SERIES 32 POSITION PLUG HOUSING ASSEMBLY

SIZE A3 CAGE CODE 00779 DRAWING NO 1318747

Mouser Electronics

Authorized Distributor

Click to View Pricing, Inventory, Delivery & Lifecycle Information:

[TE Connectivity:](#)

[1318747-1](#)