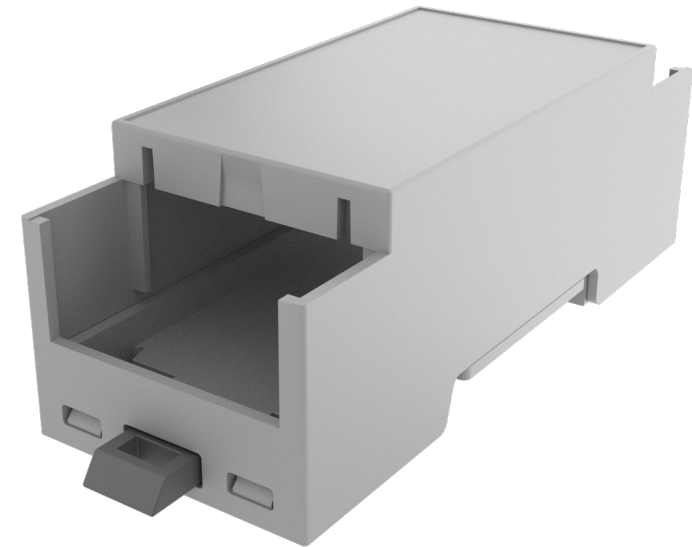


- DIN Rail mounting enclosure to suit varying electronic and electrical applications
- Terminal blocks/connectors can be mounted on either side of the enclosure
- Top panel is produced as part of the mould (non-removeable)
- Customisation options are available including machining and/or printing to customer specific requirements
- Kit supplied includes, base, cover and DIN rail hook



Hitaltech SA/NV

(Sales Benelux, France & Italy)
T: +32 2725 2075
E: europe-sales@hitaltech.com

Hitaltech UK Ltd

(Sales UK & Eire)
T: +44 (0) 1253 899910
E: uksales@hitaltech.co.uk

Hitaltech GmbH

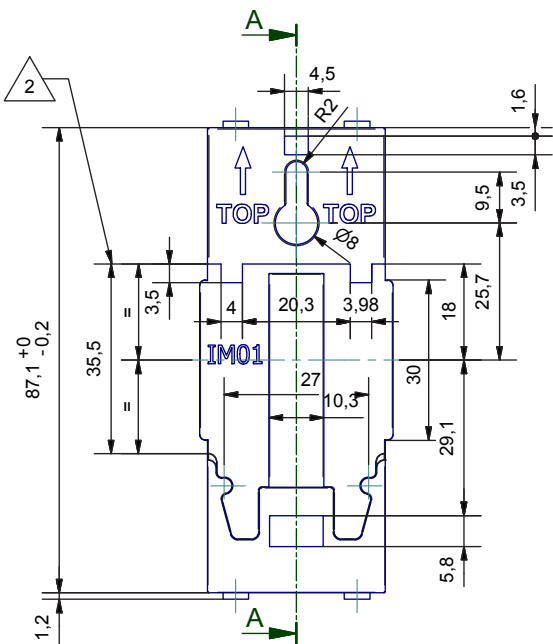
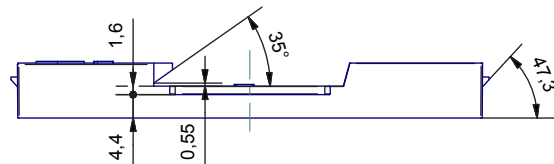
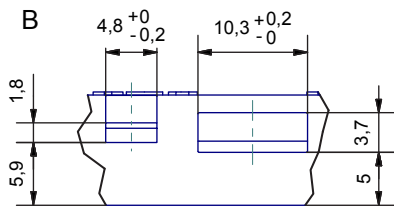
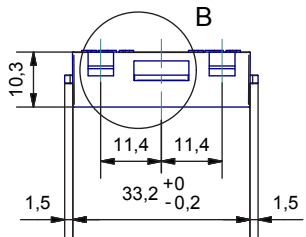
(Sales Germany)
T: +49 (0) 351 65 57 39 10
E: de-verkauf@hitaltech.com

Hitaltech Corp. Japan

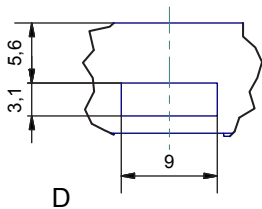
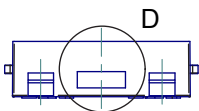
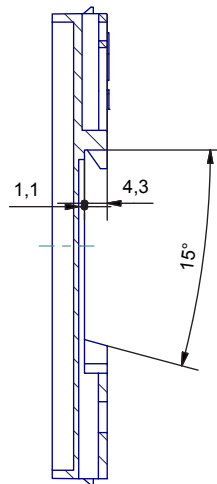
(Sales Asia)
T: +81 (0)467 23 81 00
E: japan-sales@hitaltech.com

Hitaltech Headquarters

(Sales for the Rest of the World)
T: +32 2725 2075
E: europe-sales@hitaltech.com

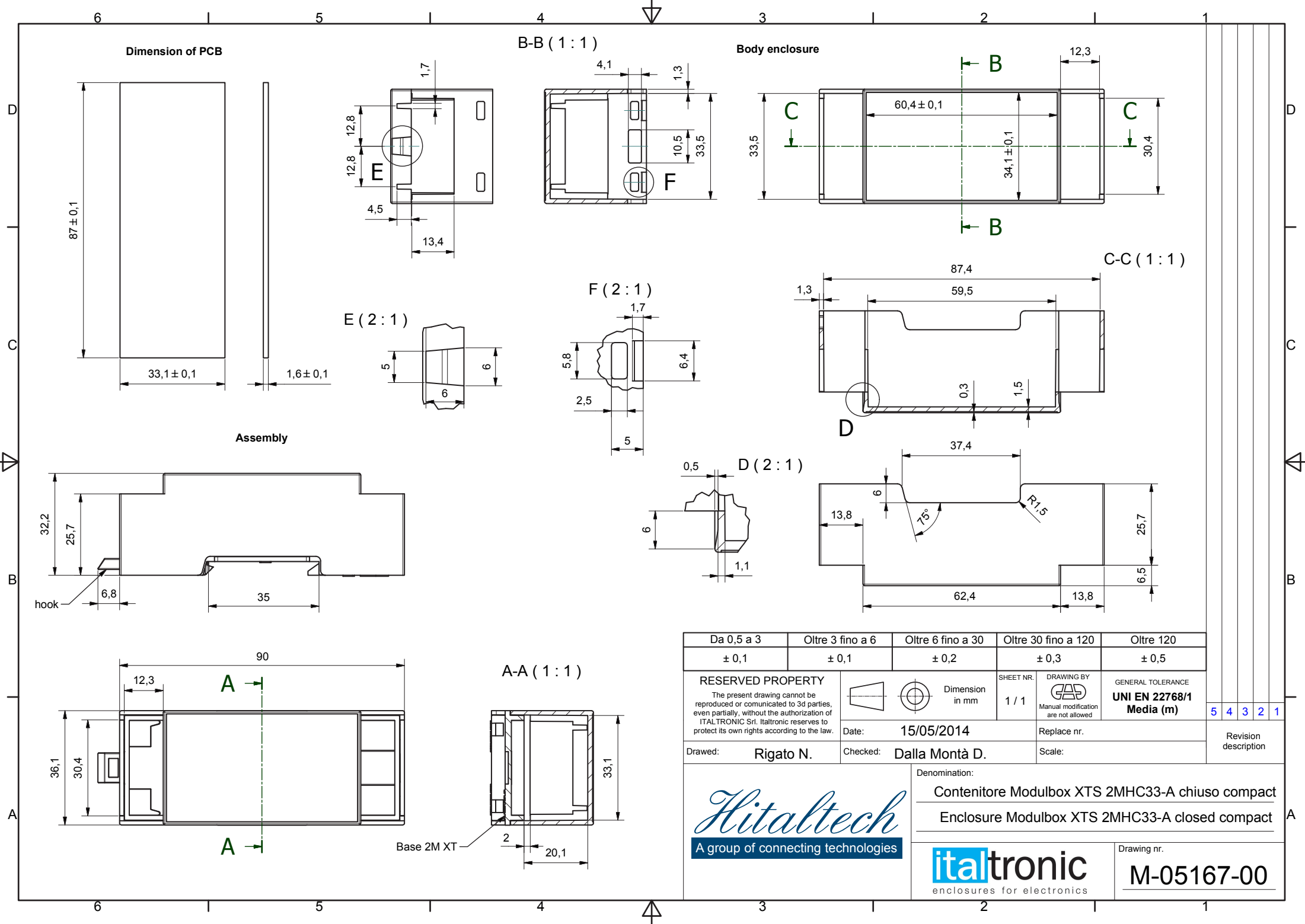


A-A



RESERVED PROPERTY The present drawing cannot be reproduced or communicated to 3d parties, even partially, without the authorization of ITALTRONIC Srl. Italtronic reserves to protect its own rights according to the law.		Dimension in mm	SHEET NR. 1 / 1	DRAWING BY Manual modification are not allowed	GENERAL TOLERANCE ± 0.2 mm	5	4	3	2	1
	Date:	12/07/2007	Replace nr.			Revision description				
Drawn:	Mazzucato F.	Checked:	Mazzucato F.	Scale:						
 A group of connecting technologies			Denomination:							
			Base 2M-XT 2M-XT Base							
 enclosures for electronics			Drawing nr.							
			M-01983-02							

Allargata sede per guida din "IM01" 11-05-2012 D.D.M.
Eliminata nervatura blocco aggancio - Removed stop for hook. 24/11/2008 Zorzato E.



Da 0,5 a 3	Oltre 3 fino a 6	Oltre 6 fino a 30	Oltre 30 fino a 120	Oltre 120
± 0,1	± 0,1	± 0,2	± 0,3	± 0,5

RESERVED PROPERTY The present drawing cannot be reproduced or communicated to 3rd parties, even partially, without the authorization of ITALTRONIC Srl. Italtronic reserves to protect its own rights according to the law.	Dimension in mm	SHEET NR.	DRAWING BY	GENERAL TOLERANCE
		1 / 1		UNI EN 22768/1 Media (m)

Date:	15/05/2014	Replace nr.	
Drawn:	Rigato N.	Checked:	Dalla Montà D.
Scale:			

Denomination:

Contentore Modulbox XTS 2MHC33-A chiuso compact

Enclosure Modulbox XTS 2MHC33-A closed compact

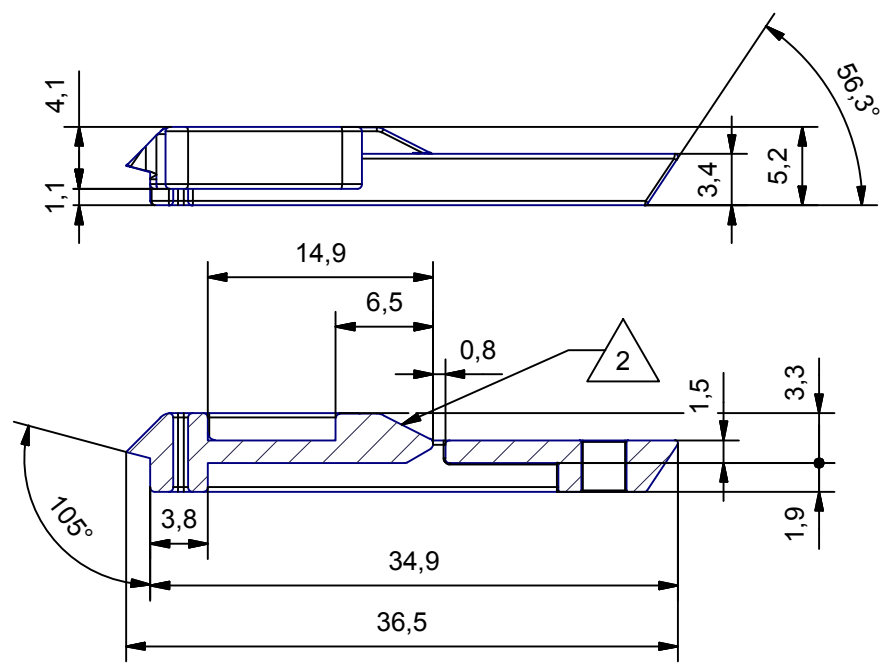
A group of connecting technologies

enclosures for electronics

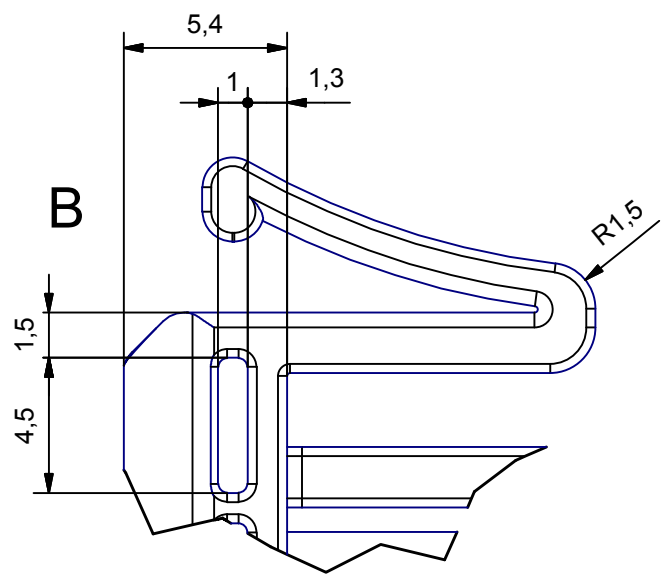
Drawing nr. **M-05167-00**

5	4	3	2	1
Revision description				

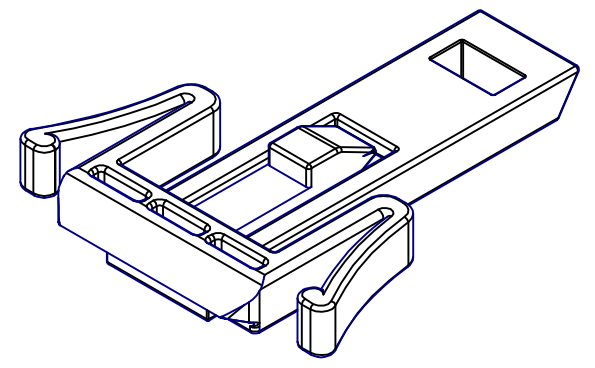
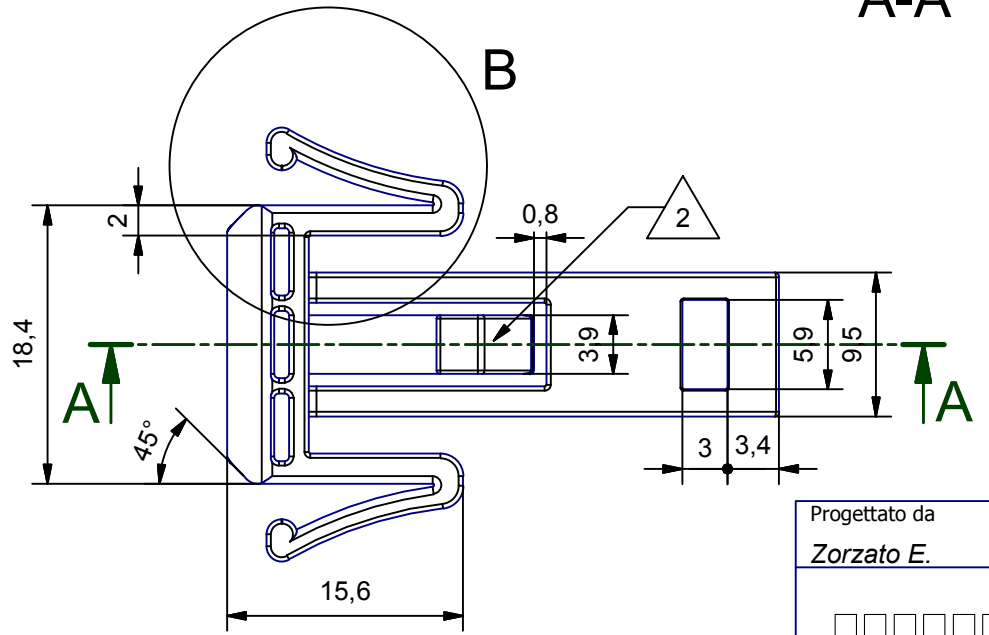
REVISIONE			
Rev. n°	Descrizione	Data	Eseguita da
1	Modificato parti gancio.Changed parts hook.	17/07/13	Rigato N.
2	Modificato parti gancio.Changed parts hook.	31/01/14	Rigato N.




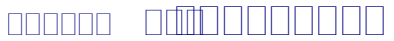
A-A



B



Tolleranze generali: ± 0.2 mm

Progettato da Zorzato E.	Verificato da Mazzucato F.	Data 12/03/2007	Sostituisce il
		Nuovo aggancio lungo MODULBOX	
		M-01900-02	Edizione 00
			Foglio 1 / 1