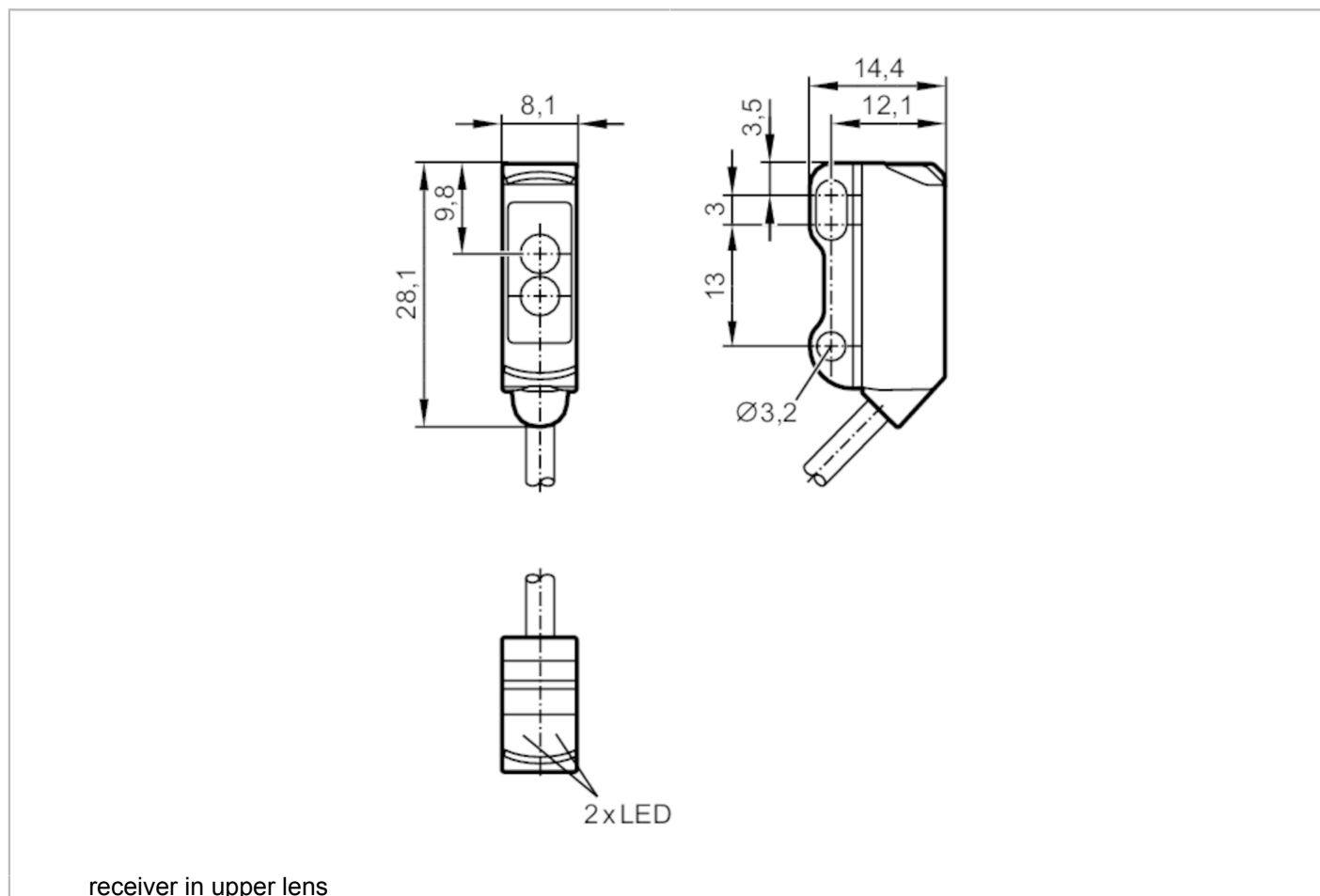


O8E200



Through-beam sensor receiver

O8E-DPKG/IO-Link/2,0M



Application	
Function principle	Through-beam sensor
Electrical data	
Operating voltage [V]	10...30 DC
Current consumption [mA]	15; ((24 V))
Protection class	III
Reverse polarity protection	yes
Type of light	red light
Wave length [nm]	633

O8E200



Through-beam sensor receiver

O8E-DPKG/IO-Link/2,0M

Outputs		
Output function		dark-on mode
Max. voltage drop switching output DC [V]		2.5
Permanent current rating of switching output DC [mA]		100
Switching frequency DC [Hz]		1000
Electrical design		PNP
Short-circuit protection		yes
Type of short-circuit protection		pulsed
Range		
Transmitter / receiver		receiver
Range [m]		< 3
Interfaces		
Transmission type		COM2 (38.4 kBaud)
IO-Link revision		1.1
SDCI standard		IEC 61131-9
IO-Link device ID		787 d / 00 03 13 h
Profiles		Smart Sensor: Device Identification; Device Diagnosis; Teach Channel; Binary Data Channel
SIO mode		yes
Required master port type		A
Operating conditions		
Ambient temperature [°C]		-25...60
Protection		IP 65; IP 67
Tests / approvals		
EMC		EN 60947-5-2
Mechanical data		
Weight [g]		39.8
Housing		rectangular
Dimensions [mm]		28.1 x 8.1 x 14.4
Materials		housing: ABS; stainless steel (1.4404 / 316L)
Lens material		PMMA
Displays / operating elements		
Display	switching status	1 x LED, yellow
	operation	1 x LED, green
Remarks		
Pack quantity		1 pcs.

O8E200



Through-beam sensor receiver

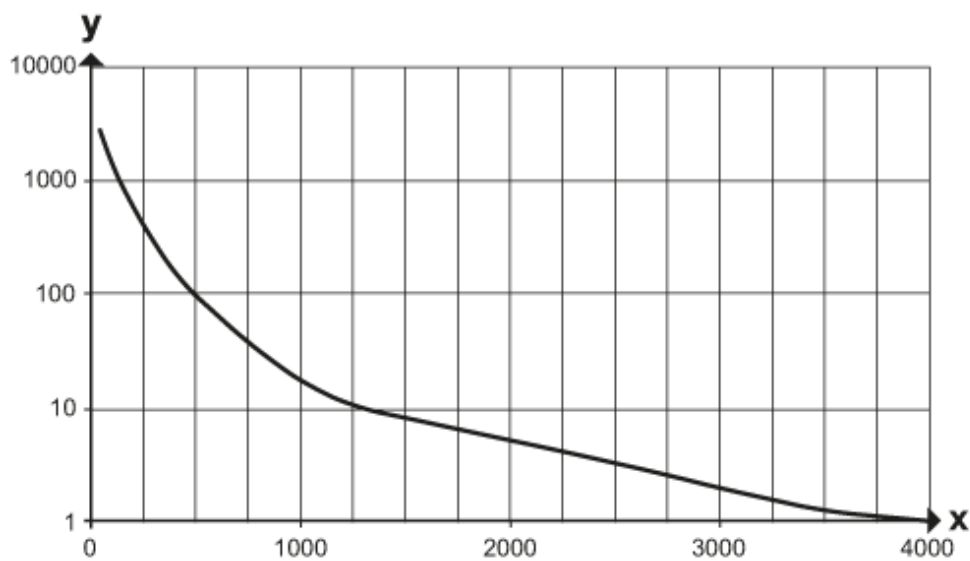
O8E-DPKG/IO-Link/2,0M

Electrical connection

Cable: 2 m, PVC, black, \varnothing 2.9 mm; 3 x 0.08 mm²

diagrams and graphs

excess gain graph



x: Abstand [mm]

y: Funktionsreservfaktor