

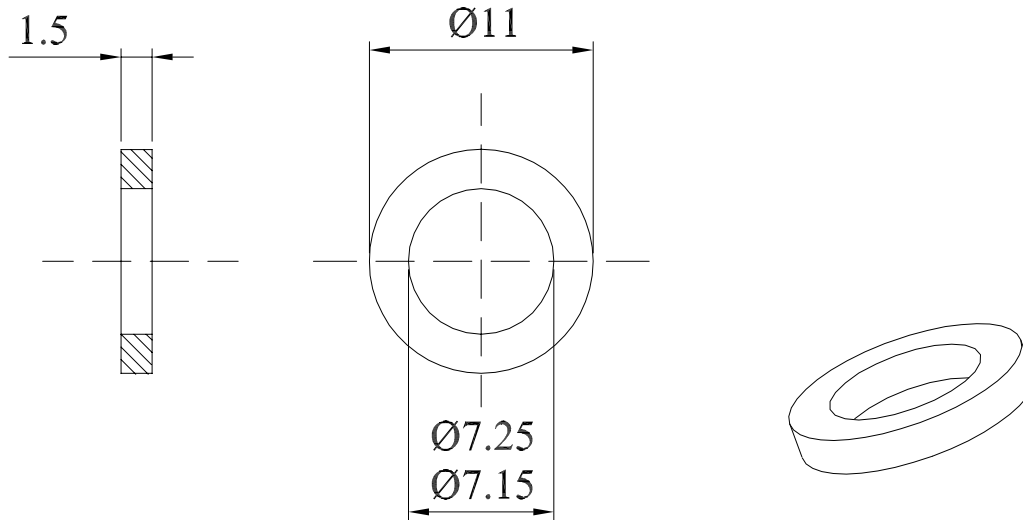
A colour coding washer to be used in conjunction with the Professional Panel Socket (431/432 Range). It enables the Socket to be colour coded for easy identification.

MATERIAL

ACETAL C 27021 R
WHITE

Supplied as a pack of
50 washers.

Dimensions



COLOUR	ORDER CODE
BLACK	434-0100
BLUE	434-0200
BROWN	434-0300
GREEN	434-0400
RED	434-0500
WHITE	434-0600
YELLOW	434-0700

CONVERTED FROM P0842 ISS1 (08.03.96) IN JAN 2003

DrgNo 434 SERIES	TITLE COLOUR CODING WASHER	ALL DIMENSIONS IN MM ANGLES IN DECIMAL DEGREES
------------------	----------------------------	---

DELTRON Components	ISSUE 1	GENERAL SPECIFICATION FOR 434 SERIES	CUSTOMER		FILTER REF	
			Aprvd Date 10/02/03	Aprvd By MC	Drwn by BFS	Scale: NTS