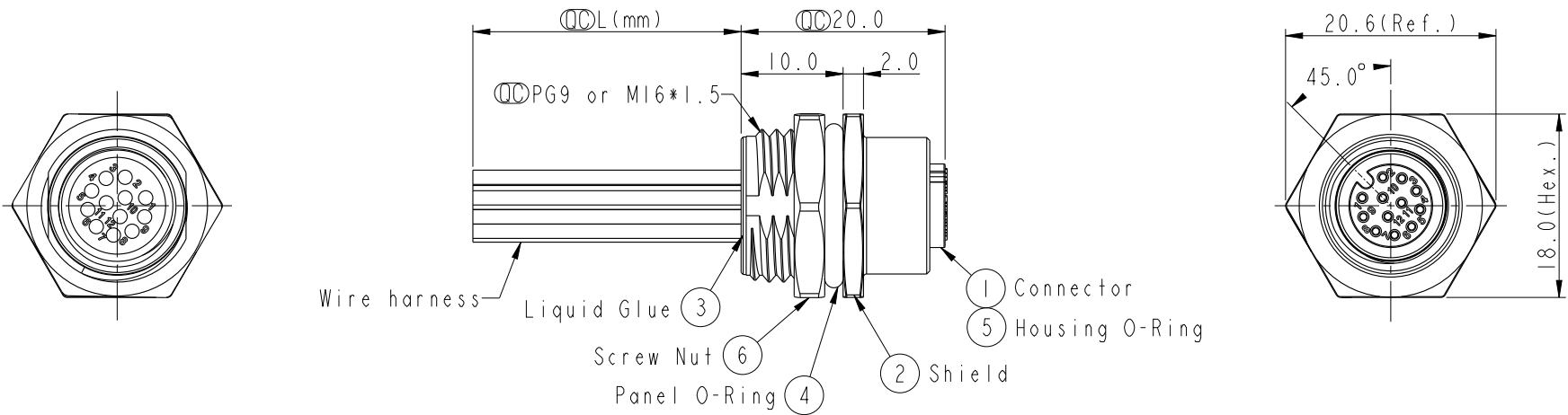
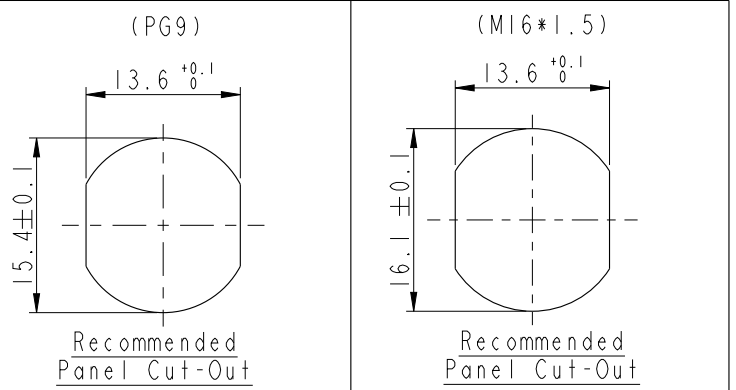


THIS DOCUMENT IS SUBJECT TO CHANGE WITHOUT NOTICE. IT IS CONFIDENTIAL AND A PROPERTY OF AMPHENOL LTW. DISCLOSURE TO THIRD PARTY HAS TO BE AUTHORIZED BY AMPHENOL LTW.

REV.	ECN NO.	DATE	SIGN	DESCRIPTION
C	LEN1680557-568	2016/08/08	Yulong_wang	Add 6Pin & IP69K.
D	E191630	2019/09/19	Ruru	Update Wire Tolerance
E	BOMR19100207	2019-10-30	Peng	Add 17Pin

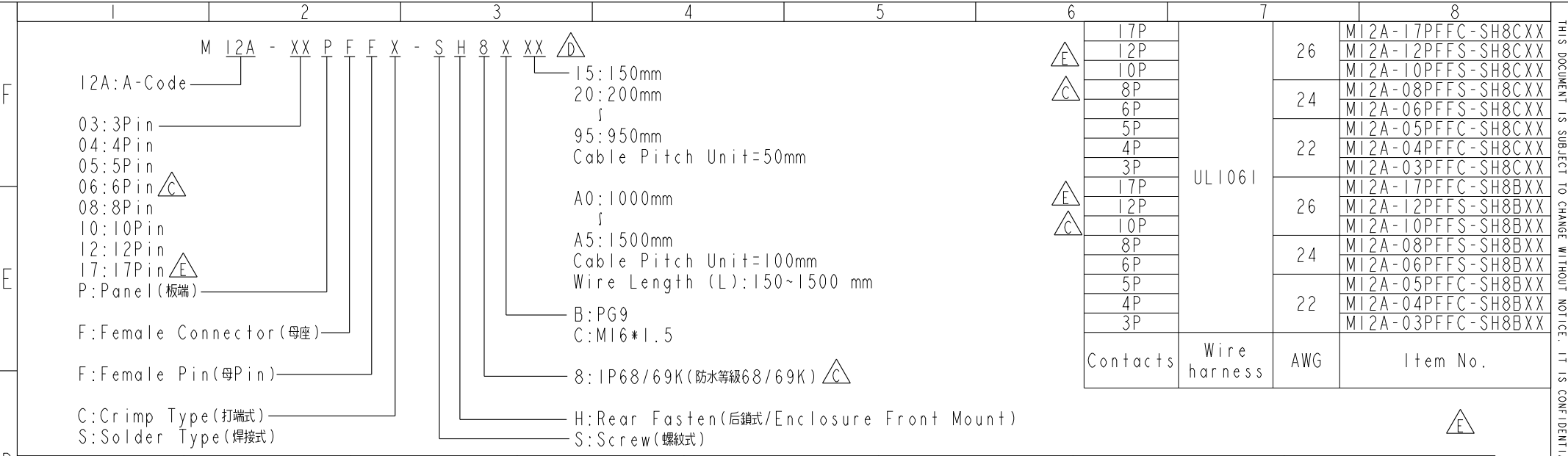


- Notes:
- * $\varnothing \varnothing$ Important Dimension.
 - * Waterproof Rate: IP68, IP69K.
 - * Connector: Nylon+GF, Black.
 - * Female Pin: Copper Alloy, Gold Plated.
 - * Shield: Zinc Alloy, Nickel Plated.
 - * Screw Nut: Zinc Alloy, Nickel Plated.
 - * Panel O-Ring: Viton, Black.
 - * Housing O-Ring: Viton, Green.
 - * Wire harness: ULI061
 - * Rated Voltage: 3 & 4Pin 250V dc. or ac.
5Pin 60V dc. or ac.
6~12Pin, 17Pin 30V dc. or ac.
 - * Rated Current: 3~5Pin 4A
6~8Pin 2A
10~12Pin, 17Pin 1.5A
 - * Operating Temperature: -25~85°C
 - * For Panel Thickness Max 4.5mm.
 - * Nut Torque: 4-6 Kgf.cm.
 - * Wire harness Tolerance: 150~300±15mm
301~1000±20mm
Over 1000 ±50/-0mm

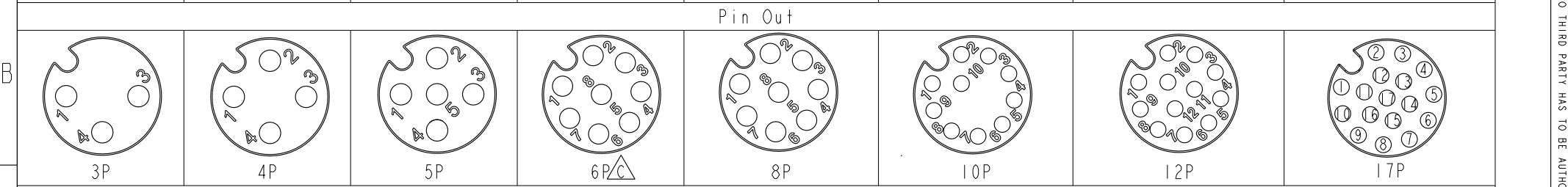


UNIT: mm		TITLE		ITEM NO	DRAWN BY	DATE	
		M12 A-Code Female Conn. Panel Rear With Wire harness					DWG NO
TOLERANCE		SCALE	SIZE	SHEET	OF		
.X ±0.25		3:2	A4	1	2		
.XX ±0.1	REV.	WC-REV.	Inspection item		CUSTOMER	APPROVED BY	DATE
.XXX ±0.05	E	A.3	Amphenol LTW 安費諾亮泰企業股份有限公司		ALTW	Max	2019-09-19
ANGLES ±1°							

THIS DOCUMENT IS SUBJECT TO CHANGE WITHOUT NOTICE. IT IS CONFIDENTIAL AND A PROPERTY OF Amphenol LTW. DISCLOSURE TO THIRD PARTY HAS TO BE AUTHORIZED BY Amphenol LTW.



Pin #	Wire	Pin #	Wire	Pin #	Wire	Pin #	Wire	Pin #	Wire	Pin #	Wire	Pin #	Wire	Pin #	Wire	Pin #	Wire
5	--	5	--	5	Gray 灰	5	--	5	Gray 灰	5	Gray 灰	5	Gray 灰	5	Gray 灰	5	Gray 灰
4	Black 黑	4	Black 黑	4	Black 黑	4	Yellow 黃	4	Yellow 黃	4	Yellow 黃	4	Yellow 黃	4	Yellow 黃	4	Yellow 黃
3	Blue 藍	3	Blue 藍	3	Blue 藍	3	Green 綠	3	Green 綠	3	Green 綠	3	Green 綠	3	Green 綠	3	Green 綠
2	--	2	White 白	2	White 白	2	Brown 棕	2	Brown 棕	2	Brown 棕	2	Brown 棕	2	Brown 棕	2	Brown 棕
1	Brown 棕	1	Brown 棕	1	Brown 棕	1	White 白	1	White 白	1	White 白	1	White 白	1	White 白	1	White 白



Pin Assignments Front View

UNIT: mm		TITLE M12 A-Code Female Conn. Panel Rear With Wire harness	Amphenol LTW 安費諾亮泰企業股份有限公司		ITEM NO	DRAWN BY Ruru	DATE 2019-09-19
TOLERANCE .X ±0.25 .XX ±0.1 .XXX ±0.05 ANGLES ±1°		SCALE 3:2			SIZE A4	SHEET 2 OF 2	DWG NO M12A-XXPFFX-SH8XXX
REV. E	WC-REV. A.3	QC: Inspection item			CUSTOMER ALTW	APPROVED BY Max	DATE 2019-09-19

Mouser Electronics

Authorized Distributor

Click to View Pricing, Inventory, Delivery & Lifecycle Information:

[Amphenol:](#)

[M12A-17PFFC-SH8B20](#) [M12A-17PFFC-SH8C20](#)