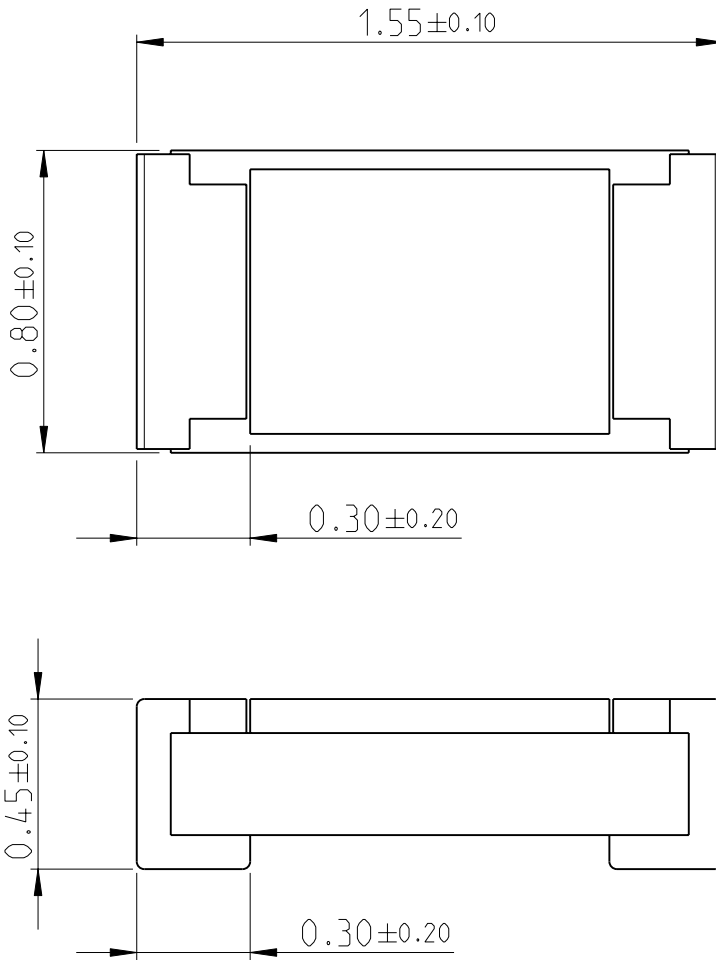
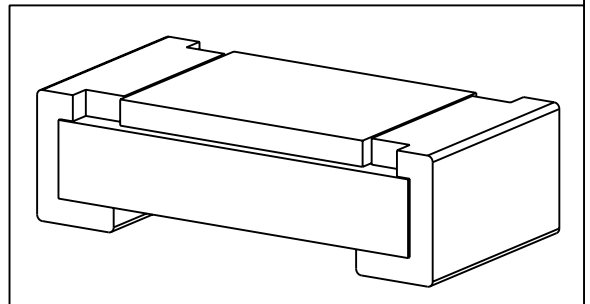


LOC	DIST	REVISIONS					
-	-	P	LTR	DESCRIPTION	DATE	DWN	APVD
		BA		NEW DRAWING	25APR2012	KR	St.P



FOR FURTHER INFORMATION SEE DATA SHEET FOR  
SMD HIGH POWER PRECISION RESISTORS - RP73 SERIES

RoHS Compliant



20




RELEASED FOR PUBLICATION

ALL RIGHTS RESERVED.

THIS DRAWING IS UNPUBLISHED.

BY -

© COPYRIGHT 20

DIMENSIONS: mm	DWN RAGHAVENDRA K 25APR2012	MATERIAL	FINISH
TOLERANCES UNLESS OTHERWISE SPECIFIED:	CHK ALLAN P 25APR2012	 TE Connectivity	
0 PLC ±	APVD STEPHEN.P 25APR2012		
1 PLC ±0.5	PRODUCT SPEC	NAME HIGH POWER PRECISION CHIP RESISTORS - TYPE RP73P 0603 SERIES	
2 PLC ±0.13	APPLICATION SPEC	SIZE	CAGE CODE
3 PLC ±0.013		A 4	00779
4 PLC ±0.0001		DRAWING NO	RESTRICTED TO
ANGLES ±	WEIGHT 0.002 Gram	©-2176087	-
 	CUSTOMER DRAWING	SCALE 40:1	SHEET 1 OF 1
			REV BA