

CUSTOMER PRINT

PART NUMBER: W6280-XPG-P-5XX

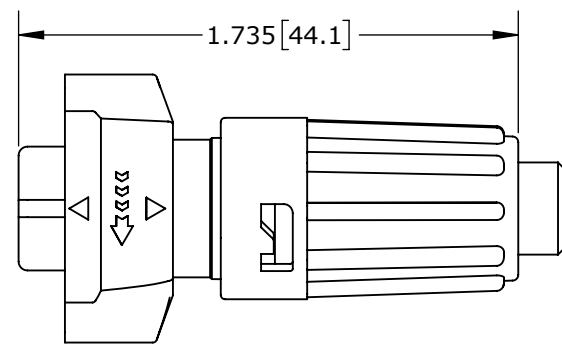
NOTES:

1. ALL PARTS TO BE BULK PACKED.
2. SEE DRAWING HPMISTD FOR HOLE PATTERN.
3. ALL DIMENSIONS ARE REFERENCE ONLY. DIMENSIONS IN [] ARE METRIC.

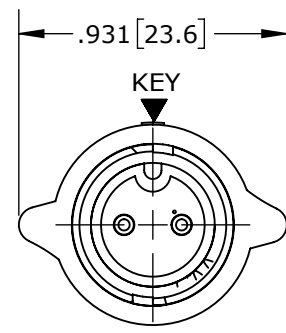
CABLE-END CONNECTOR P/N	CONTACTS
W6280-2PG-P-5XX	2 #20
W6280-3PG-P-5XX	3 #20
W6280-4PG-P-5XX	4 #20
W6280-5PG-P-5XX	5 #20
W6280-6PG-P-5XX	6 #20
W6280-XPG-P-5XX	

GROMMET SIZE

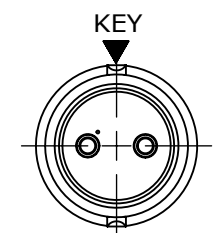
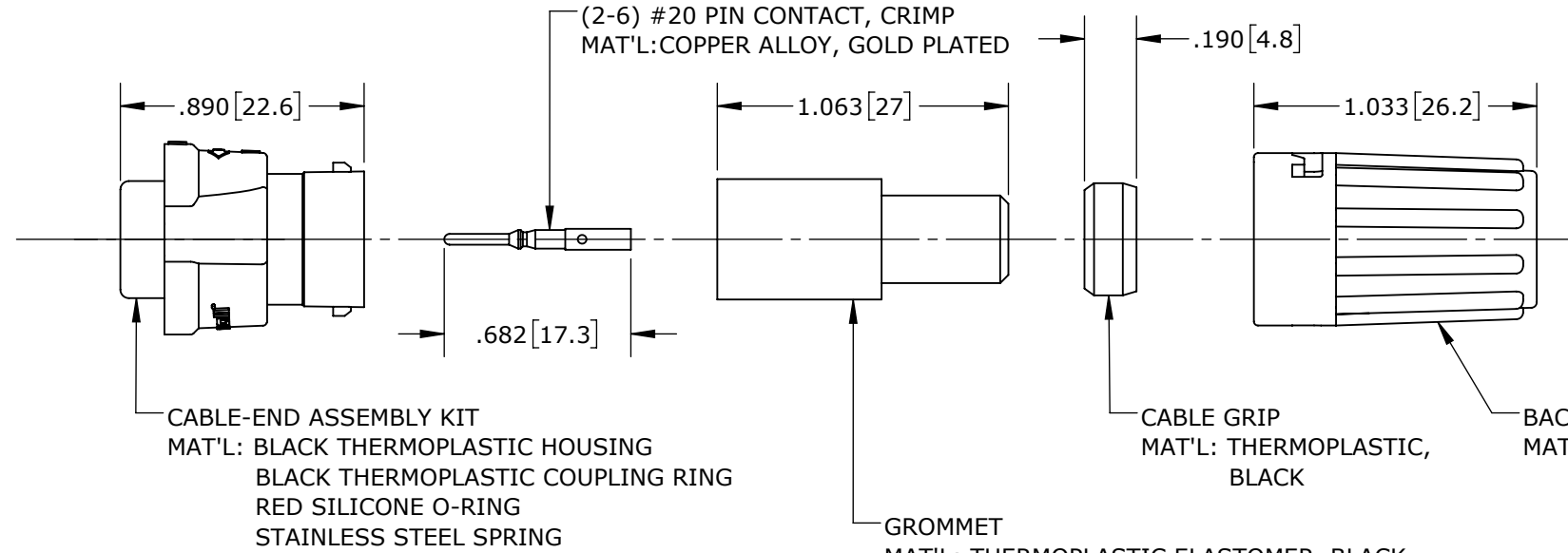
NUMBER OF CONTACTS



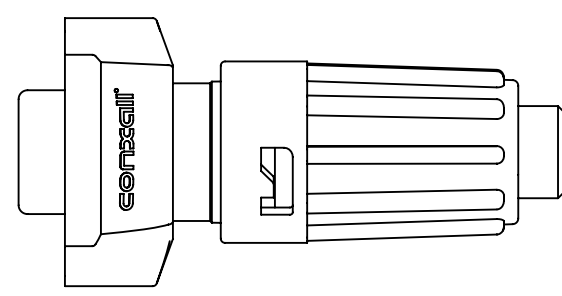
SHOWN ASSEMBLED KIT
ASSY: W6280-2PG-P-5XX SHOWN



MATING FACE
ASSY: W6280-2PG-P-5XX SHOWN



WIRING END
ASSY: W6280-2PG-P-5XX SHOWN WITHOUT HARDWARE

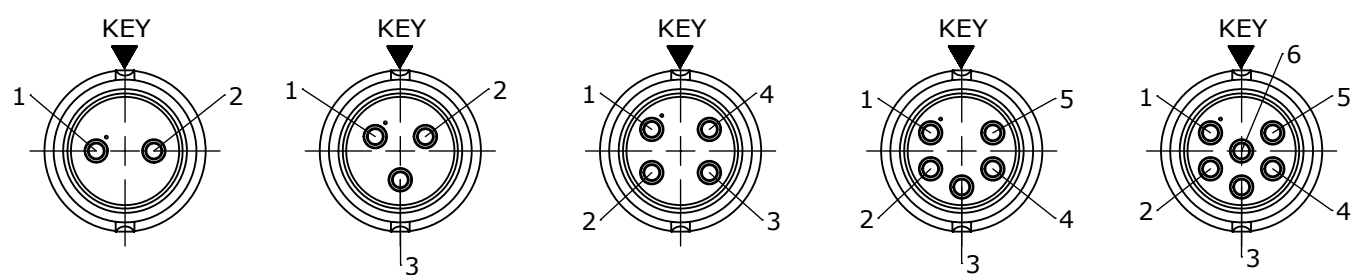


SHOWN ASSEMBLED KIT
ASSY: W6280-2PG-P-5XX SHOWN

CUSTOMER APPROVAL

THIS DOCUMENT CONTAINS CONFIDENTIAL INFORMATION PROPRIETARY TO CONXALL CORPORATION. ANY REPRODUCTION, DISCLOSURE, OR USE OF THIS DOCUMENT / INFORMATION IS EXPRESSLY PROHIBITED UNLESS AUTHORIZED IN WRITING BY CONXALL CORPORATION.

APPROVED BY: _____
DATE: _____



WIRING END W6280-2PG-P-5XX
WIRING END W6280-3PG-P-5XX
WIRING END W6280-4PG-P-5XX
WIRING END W6280-5PG-P-5XX
WIRING END W6280-6PG-P-5XX

RoHS COMPLIANT

0A	PNK	01-15-18	PDR 16014
REV.	INIT.	DATE	DESCRIPTION
			ORIG. DRAWN BY: PNK DATE: 01-15-18
ALL INFORMATION ILLUSTRATED IS THE PROPERTY OF CONXALL CORPORATION. UNAUTHORIZED DUPLICATION OR DISTRIBUTION OF THIS DOCUMENT IS PROHIBITED.			<p>601 E. WILDWOOD VILLA PARK, IL 60181</p>
UNLESS OTHERWISE SPECIFIED TOLERANCES: 3 PLACE DECIMALS ±0.10 ANGLES ±1° FRACTIONS ±1/16			
APPROVED BY:		SCALE: NTS	TITLE: CABLE-END ASSEMBLY 2-6 #20 PIN CONTACTS, CRIMP INSTA-CLICK™ MINI-CON-X
FILE: W6280-XPG-P-5XX		SIZE: B	CUSTOMER: STANDARD PRODUCT
DIRECTORY: SLW		SHEET: 1 OF 1	PART NUMBER: W6280-XPG-P-5XX
			REV 0A

Mouser Electronics

Authorized Distributor

Click to View Pricing, Inventory, Delivery & Lifecycle Information:

Switchcraft:

[W6280-6PG-P-516](#) [W6280-4PG-P-519](#) [W6280-2PG-P-522](#) [W6280-3PG-P-526](#) [W6280-3PG-P-516](#) [W6280-5PG-P-513](#) [W6280-2PG-P-528](#) [W6280-4PG-P-516](#) [W6280-6PG-P-513](#) [W6280-4PG-P-526](#) [W6280-2PG-P-519](#) [W6280-3PG-P-519](#) [W6280-3PG-P-513](#) [W6280-5PG-P-528](#) [W6280-3PG-P-528](#) [W6280-6PG-P-522](#) [W6280-3PG-P-522](#) [W6280-5PG-P-519](#) [W6280-6PG-P-519](#) [W6280-4PG-P-522](#) [W6280-4PG-P-513](#) [W6280-2PG-P-516](#) [W6280-5PG-P-516](#) [W6280-6PG-P-528](#) [W6280-4PG-P-528](#) [W6280-2PG-P-526](#) [W6280-5PG-P-522](#) [W6280-6PG-P-526](#) [W6280-2PG-P-513](#) [W6280-5PG-P-526](#)