

The CSM-7SSX is an excellent choice for a low cost SMD Crystal. The CSM-7SSX (5PVX) has a case height of 2.6 mm Max. in a resistance weld metal package.

CSM-7SSX LOW PROFILE SMD CRYSTAL

Request a Sample

CSM-7SSX SMD CRYSTAL



- Cost Effective
- 2.6 mm Height
- Industry Standard Footprint
- Pb Free/RoHS Compliant

DIMENSIONS (mm)

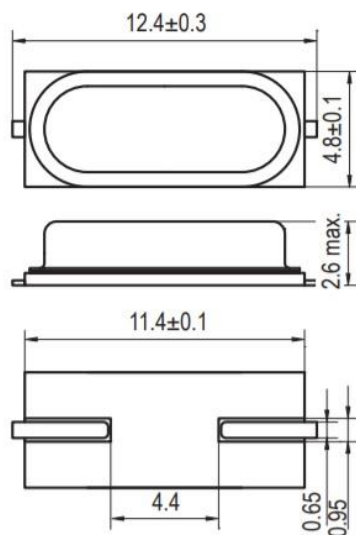


Figure 1) Top, Side, Bottom, and End

Crystal is symmetrical, pin 1 & 2 are interchangeable.

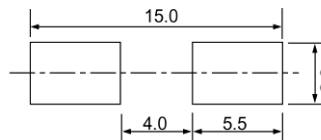
OPERATING CONDITIONS / ELECTRICAL CHARACTERISTICS

PARAMETERS	CONDITIONS	CSM-7SSX			UNITS
		MIN	TYP	MAX	
Frequency		3.57		50.000	MHz
Frequency Tolerance*	@ +25°C			± 30	ppm
Frequency Stability*	Standard -10 ~ +70°C			± 50	ppm
Shunt Capacitance	Co			5	pF
Load Capacitance	Specify in P/N	10	20	Series	pF
Drive Level	DL			500	µW
Operating Temperature*	T _{opr}	-10		+70	°C
Storage Temperature	T _{stg}	-55		+125	°C
Aging (First Year)	@ +25°C ±3°C			±5	ppm

Frequency (MHz)	ESR Ω Max.	Mode of Osc.
3.57 ~ 4.999	150	Fundamental
5.000 ~ 5.999	120	Fundamental
6.000 ~ 6.999	100	Fundamental
7.000 ~ 8.999	80	Fundamental
9.000 ~ 12.999	60	Fundamental
13.000 ~ 19.999	50	Fundamental
20.000 ~ 30.000	40	Fundamental
26.000 ~ 39.999	100	3 rd Overtone
40.000 ~ 50.000	80	3 rd Overtone



Figure 2) Suggested land



PART NUMBERING GUIDE: Example ECS-200-20-5PVX-TR

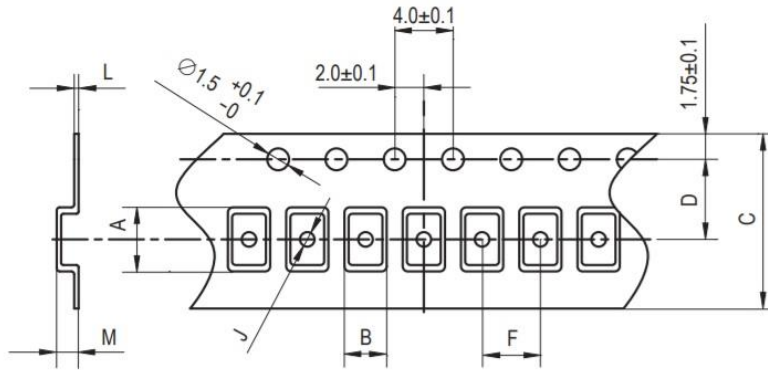
ECS - FREQUENCY ABBREVIATION	LOAD CAPACITANCE	PACKAGE	AVAILABLE OPTIONS			PACKAGING	
			Tolerance	Stability	Temp Range		
ECS	200 = 20.000 MHz See P/N Guide	20 = 20 pF 10 = 10 pF S = Series	5PVX = 2.6 mm	Blank = Std A = ± 25 ppm J = ± 20 ppm R = ± 15 ppm C = ± 10 ppm	Blank = Std D = ± 100 ppm E = ± 50 ppm G = ± 30 ppm H = ± 25 ppm T = ± 20 ppm † W = ± 15 ppm † K = ± 10 ppm †	Blank = Std L = -10 ~ +70°C M = -20 ~ +70°C Y = -30 ~ +85°C N = -40 ~ +85°C P = -40 ~ +105°C S = -40 ~ +125°C U = -55 ~ +125°C	TR = Tape & Reel 1K/Reel

* Specify available options in P/N.

† Contact ECS for availability over extended temp range.

Rev.2017

POCKET TAPE DIMENSIONS (mm)



A	B	C	D	F	J	L	M	Reel Dia.	Qty/Reel
15.4	5.3	24.0	11.5	12.0	1.7	0.4	3.4	300	1000pcs

SOLDER PROFILE

Peak solder Temp +260°C Max 10 sec Max.

2 Cycles Max.

MSL 1, Lead Finish Sn/Cu Matte

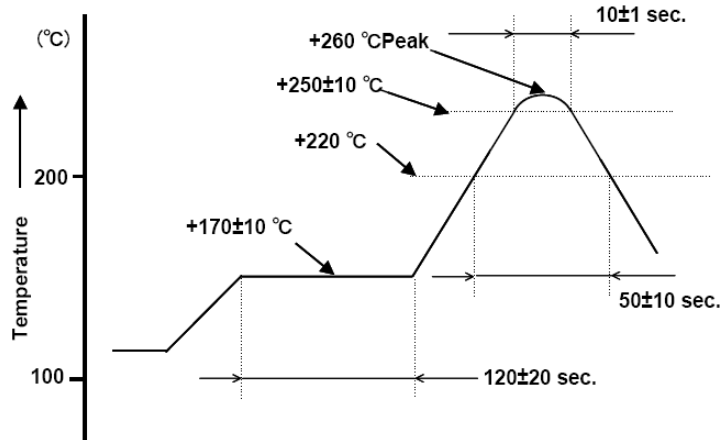


Figure 1) Suggested Reflow Profile

Mouser Electronics

Authorized Distributor

Click to View Pricing, Inventory, Delivery & Lifecycle Information:

ECS:

[ECS-98.3-20-5PV-TR](#) [ECS-250-20-5PV-TR](#) [ECS-240-20-5PV-TR](#) [ECS-245.7-20-5PV-TR](#) [ECS-200-20-5PV-TR](#)
[ECS-120-32-5PV-TR](#) [ECS-60-20-5PV-TR](#) [ECS-80-20-5PV-TR](#) [ECS-40-20-5PV-TR](#) [ECS-120-18-5PV-TR](#) [ECS-110.5-](#)
[20-5PV-TR](#) [ECS-100-20-5PV-TR](#) [ECS-184-20-5PV-TR](#) [ECS-143-20-5PV-TR](#) [ECS-147.4-20-5PV-TR](#) [ECS-122.8-20-](#)
[5PV-TR](#) [ECS-160-20-5PV-TR](#) [ECS-35-18-5PV-TR](#) [ECS-160-20-5PVX-TR](#) [ECS-200-20-5PVX-TR](#) [ECS-110.5-20-](#)
[5PVX-TR](#) [ECS-122.8-20-5PVX-TR](#) [ECS-184-20-5PVX-TR](#) [ECS-120-18-5PVX-TR](#) [ECS-40-20-5PVX-TR](#) [ECS-240-20-](#)
[5PVX-TR](#) [ECS-143-20-5PVX-TR](#) [ECS-35-18-5PVX-TR](#) [ECS-98.3-20-5PVX-TR](#) [ECS-36-20-5PVX-TR](#) [ECS-250-20-](#)
[5PVX-TR](#) [ECS-60-20-5PVX-TR](#) [ECS-270-20-5PVX-TR](#) [ECS-80-20-5PVX-TR](#) [ECS-100-20-5PVX-TR](#) [ECS-36-20-](#)
[5PVX](#) [ECS-143-20-5PVX](#) [ECS-147.4-20-5PVX](#) [ECS-200-20-5PVX](#) [ECS-110.5-20-5PVX](#) [ECS-120-32-5PVX](#) [ECS-](#)
[184-20-5PVX](#) [ECS-245.7-20-5PVX](#) [ECS-120-18-5PVX](#) [ECS-98.3-20-5PVX](#) [ECS-100-20-5PVX](#) [ECS-160-20-5PVX](#)
[ECS-122.8-20-5PVX](#) [ECS-35-18-5PVX](#) [ECS-60-20-5PVX](#)