

5

4

3

2

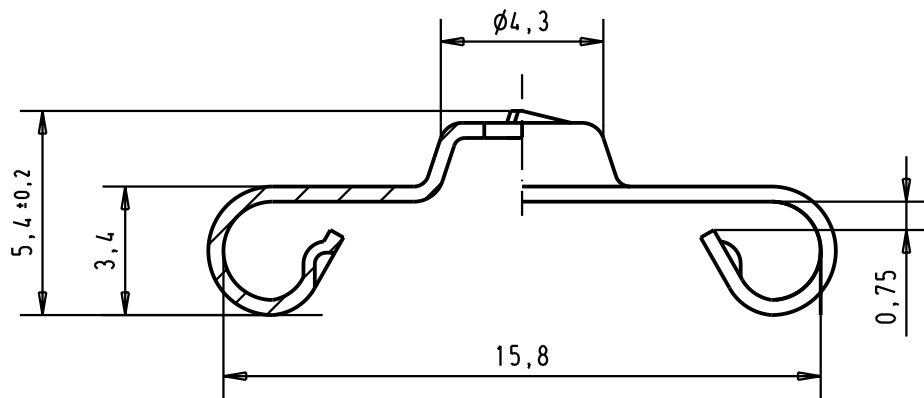
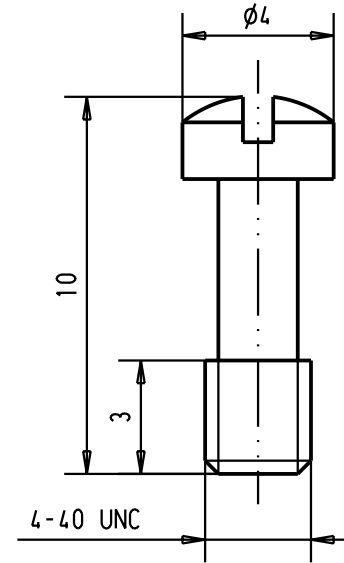
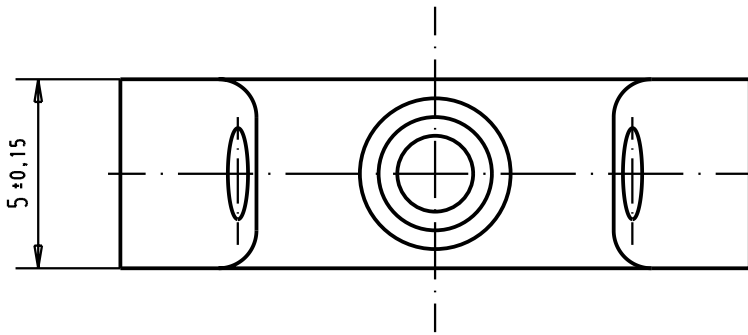
1



D

C

B

A



				Dat.	Name	 All Dim. in mm Orig. Size DIN A 4	<b>MALE SCREW-LOCK for 50 poles tinned</b>	Maßstab/ Scale
			Detail.	13.07.95	MF			5 : 1
			Insp.					Blatt/ Page
29768	09-APR-02	CV	Stand.					
16443	26.07.95	ST	HARTING F-95972 Paris				TB 0967 001 9970	Sub.
16441	13.07.95	MF						
Mod.	Dat.	Name						

# Mouser Electronics

Authorized Distributor

Click to View Pricing, Inventory, Delivery & Lifecycle Information:

[HARTING:](#)

[09670019970](#)