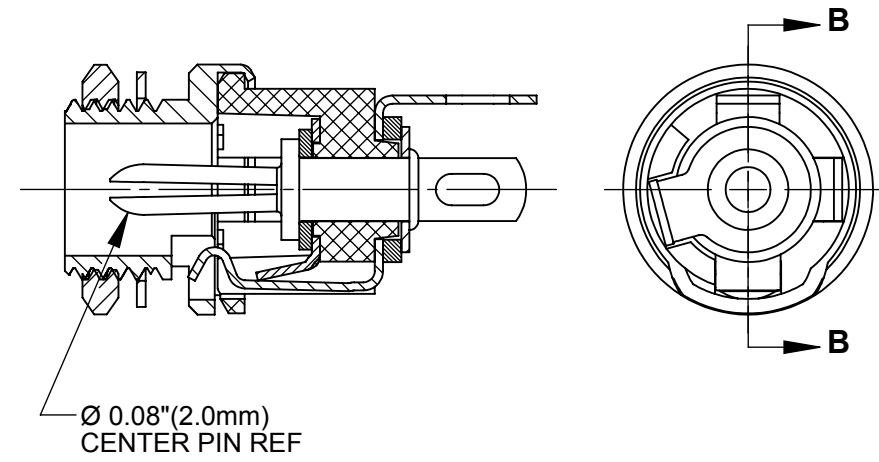
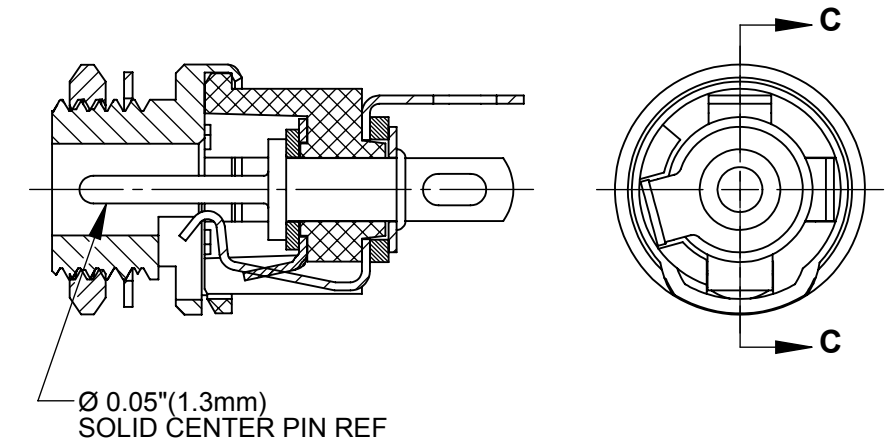


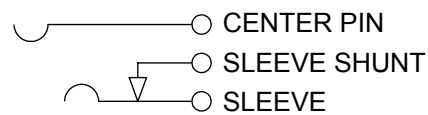
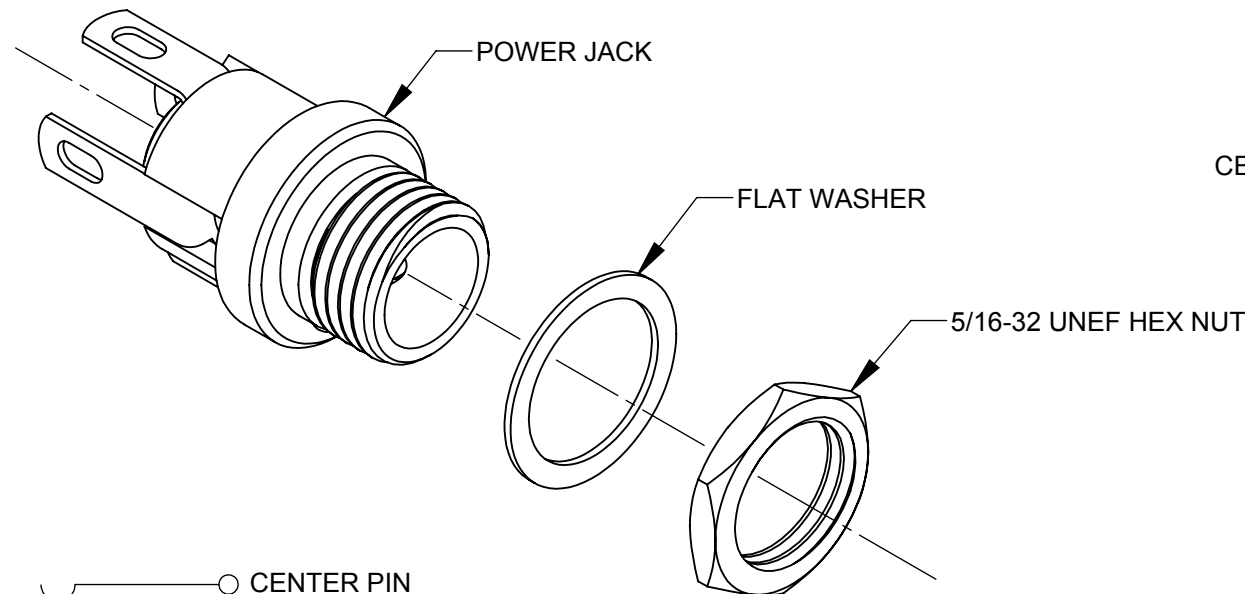
**712AH**



**722AH**



**732AH**

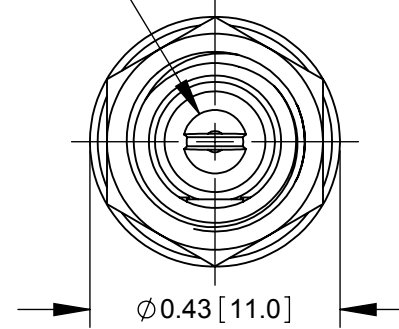


**SCHEMATIC**

**NOTES:**

1. DIMENSIONS SHOWN FOR REFERENCE ONLY.
2. HEX NUT AND FLAT WASHER SUPPLIED UNASSEMBLED.
3. MATERIAL:  
HOUSING, HEX NUT - COPPER ALLOY, NICKEL PLATED  
INSULATOR HOUSING - THERMOPLASTIC, BLACK  
TERMINAL INSULATORS - PHENOLIC  
FLAT WASHER - STEEL, NICKEL PLATED  
PIN, SPRING, TERMINALS - COPPER ALLOY, SILVER PLATED
4. THESE PRODUCTS ARE RoHS COMPLIANT

CENTER PIN



0.215 [5.5]

5/16-32 UNEF 2A  
THREAD REF

0.82 [20.8]

0.54 [13.7]

SLEEVE

SLEEVE SHUNT

CENTER PIN

**PRELIMINARY**

**CUSTOMER DRAWING**

THIS DRAWING DESCRIBES A DESIGN CONSIDERED PROPRIETARY IN NATURE, DEVELOPED AND MANUFACTURED BY SWITCHCRAFT INC. AND IS RELEASED ON A CONFIDENTIAL BASIS FOR IDENTIFICATION PURPOSES ONLY.

SIZE	WIDTH	MULT	LBS/M	TEMPER
FINISH			MATERIAL	
SPEC No.			SPEC No.	
FIRST USED ON		SCALE		
		3:1		
DATE DRAWN	BY	CHKD	APVD	
6/27/16	PNK	PNK	SRC	
		6/27/16	6/27/16	
NAME			PART No.	
HT POWER JACKS			712AH 722AH 732AH	
7 _ 2AH SERIES, RoHS			REV	
			0A	

UNLESS OTHERWISE SPECIFIED				
1. ALL DIMENSIONS IN INCHES				
- TWO PLACE DECIMALS ±0.02				
- THREE PLACE DECIMALS ±0.005				
0A	PDR 15004	6/27/16	PNK	SRC
REV	ECO NUMBER	DATE	BY	APVD
REVISIONS				
DO NOT SCALE DRAWING				

**SolidWorks CAD File**

# Mouser Electronics

Authorized Distributor

Click to View Pricing, Inventory, Delivery & Lifecycle Information:

[Switchcraft:](#)

[732AH](#) [712AH](#) [722AH](#)