

# DLW5ATN272SQ2#

“#” indicates a package specification code.

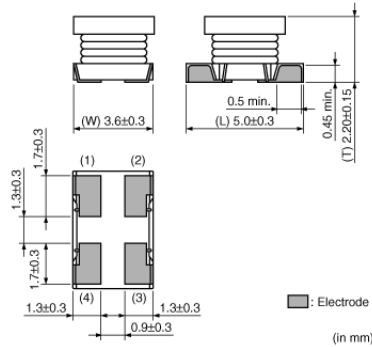


< List of part numbers with package codes >

DLW5ATN272SQ2K DLW5ATN272SQ2L DLW5ATN272SQ2B

## Appearance & Shape

## Features



### Features

1. Low profile(h=2.35mm max.)
2. Small size(5.0x3.6mm)
3. High rated current available(1A to 5A)
4. High common mode Impedance (max 2700ohm, at 100MHz)

### Application

Noise suppression for power line

1. Power line equipment
  - DC/DC converter
  - battery charger
2. Portable equipment
  - PDA(Personal Digital Assistance)
  - note PC
  - printer
  - DVC

## Applications

Other Usage	For general
-------------	-------------

## Packaging Information

Packaging	Specifications	Minimum Order Quantity
K	330mm Embossed Tape	2500
L	180mm Embossed Tape	700
B	Bulk(Bag)	100

### Attention

1. This datasheet is downloaded from the website of Murata Manufacturing Co., Ltd. Therefore, its specifications are subject to change or our products in it may be discontinued without advance notice. Please check with our sales representatives or product engineers before ordering.
2. This datasheet has only typical specifications because there is no space for detailed specifications. Therefore, please review our product specifications or consult the approval sheet for product specifications before ordering.

# DLW5ATN272SQ2#

“#” indicates a package specification code.



## Specifications

Shape	SMD	DC Resistance	0.12Ω max.
Size Code (in mm)	5036	Insulation Resistance(min.)	10MΩ
Size Code (in inch)	2014	Operating Temperature Range	-40°C to 85°C
Length	5.0mm	Mass(typ.)	0.125g
Length Tolerance	±0.3mm	Number of Circuit	1
Width	3.6mm	Operating Temperature Range(Self-temperature rise is included)	No
Width Tolerance	±0.3mm		
Thickness	2.2mm		
Thickness Tolerance	±0.15mm		
Common Mode Impedance (at 100MHz)	2700Ω		
Common Mode Impedance (at 100MHz) Tolerance	(Typ.)		
Common Mode Impedance (at 10MHz)	100Ω		
Common Mode Impedance (at 10MHz) Tolerance	±25%		
Rated Current	1A		
Rated Voltage	50Vdc		
Withstanding Voltage	125Vdc		
DC Resistance(max.)	0.12Ω		

### Attention

1.This datasheet is downloaded from the website of Murata Manufacturing Co., Ltd. Therefore, it's specifications are subject to change or our products in it may be discontinued without advance notice. Please check with our sales representatives or product engineers before ordering.

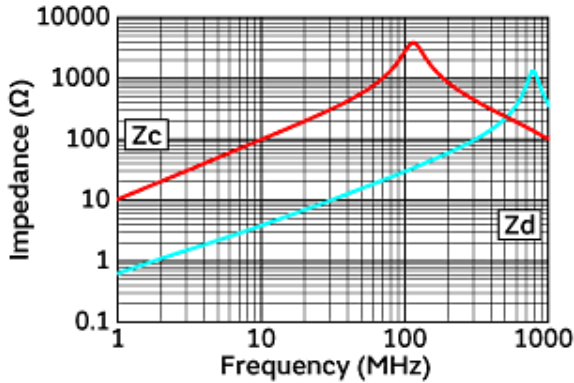
2.This datasheet has only typical specifications because there is no space for detailed specifications.

Therefore, please review our product specifications or consult the approval sheet for product specifications before ordering.

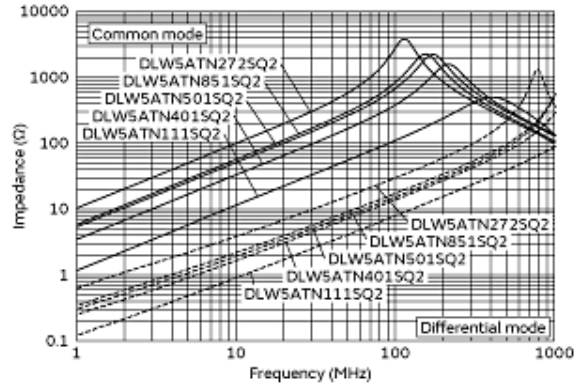
# DLW5ATN272SQ2#

"#" indicates a package specification code.

## Product Data



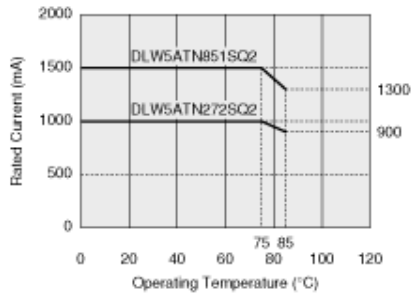
Impedance-Frequency Characteristics



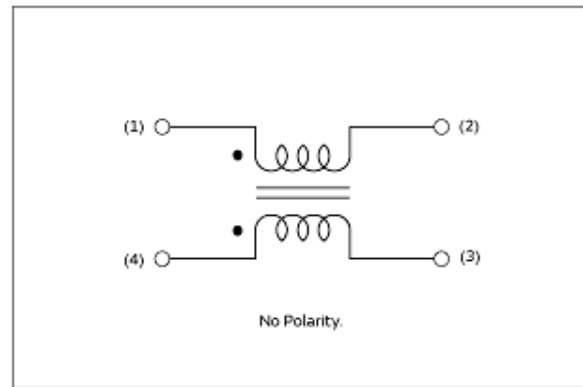
Impedance-Frequency Characteristics (Main Items)

In operating temperature exceeding +75°C, derating of current is necessary for DLW5AT series. Please apply the derating curve shown in chart according to the operating temperature.

### Derating of Rated Current



Derating of Rated Current



Equivalent Circuit

### Attention

- 1.This datasheet is downloaded from the website of Murata Manufacturing Co., Ltd. Therefore, it's specifications are subject to change or our products in it may be discontinued without advance notice. Please check with our sales representatives or product engineers before ordering.
- 2.This datasheet has only typical specifications because there is no space for detailed specifications. Therefore, please review our product specifications or consult the approval sheet for product specifications before ordering.