

Bocube

Enclosures, polycarbonate UL 94 V0, single-coloured



B 100804 PC-V0 7024

Order no.: 96012144

* = Available on request.

Characteristics

Colour of enclosure group
Graphite grey, similar to RAL 7024

Colour of enclosure group
Graphite grey

Protection class
IP 66, 68 - 1,2m (2 hours)

Enclosure Material

ABS or PC UL 94 V0 (material is suitable for outdoor use; f1-listing according to UL 746C)

PU seal, foamed; for details please see Technical Information

Scope of delivery

Lid and base, hinged quick-release catches

Important!

To compensate for pressure when temperatures change and cause moisture in the enclosure, we recommend that you use a pressure compensation element.

» Additional information

Technical documentation / Downloads

Technical drawings

3D product data in STEP format: 96012144 B-100804-PC-V0-7024.stp (8.1 MB)

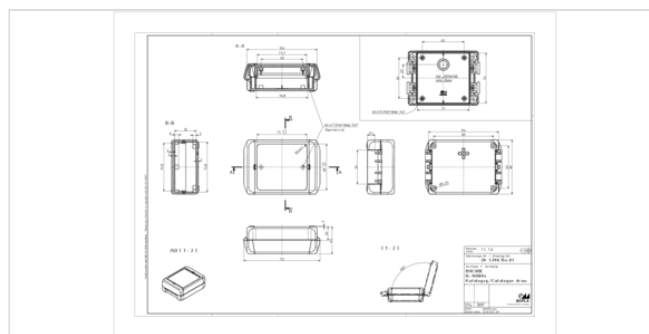
Drawing for mechanical processing: 96012144 B-100804-PC-V0-7024-G.dxf (2.8 MB)

28.01.2021

Dimensions

Dimensions
113 x 80 x 40 mm

Product drawing



Product information

Bocube GB.pdf (1.9 MB)

Highlights Bocube.pdf (3.8 MB)

Milling contours are shown here as a DXF file. (Sub D, USB, HDMI, cable glands, ...)

Product drawing in PDF format: 96012144 B-100804-PC-V0-7024.pdf (216.3 KB)

Product drawing in DXF format: 96012144 B-100804-PC-V0-7024.dxf (3.6 MB)

Works Test Certificates

688 WPZ-Bocube-PC-V0 DE.pdf (184.6 KB)

689 WPZ-Bocube-ABS DE.pdf (165.1 KB)

689 WPZ-Bocube-ABS EN.pdf (160.3 KB)

688 WPZ-Bocube-PC-V0 EN.pdf (179.1 KB)

Matching accessories



Hinged quick-release catches (Set), polycarbonate UL 94 V0 or ABS

96310100	B SC 08 PC-V0 3000	For B 0808.., B 1008.., B 1408.., B 1808..	Flame red
96310102	B SC 08 PC-V0 5002	For B 0808.., B 1008.., B 1408.., B 1808..	Ultramarine blue
96310109	B SC 08 PC-V0 6029	For B 0808.., B 1008.., B 1408.., B 1808..	Mint green
96310104	B SC 08 PC-V0 7024	For B 0808.., B 1008.., B 1408.., B 1808..	Graphite grey
96310105	B SC 08 PC-V0 7035	For B 0808.., B 1008.., B 1408.., B 1808..	Light grey
96310103	B SC 08 PC-V0 1023	For B 0808.., B 1008.., B 1408.., B 1808..	Traffic yellow



Hand-operated hinged catch (set), polycarbonate UL 94 V0 or ABS

96910100	B SC HB 08 PC-V0 3000	For B 0808.., B 1008.., B 1408.., B 1808..	Flame red
96910102	B SC HB 08 PC-V0 5002	For B 0808.., B 1008.., B 1408.., B 1808..	Ultramarine blue
96910109	B SC HB 08 PC-V0 6029	For B 0808.., B 1008.., B 1408.., B 1808..	Mint green
96910104*	B SC HB 08 PC-V0 7024	For B 0808.., B 1008.., B 1408.., B 1808..	Graphite grey
* 96910105*	B SC HB 08 PC-V0 7035	For B 0808.., B 1008.., B 1408.., B 1808..	Light grey
* 96910103	B SC HB 08 PC-V0 1023	For B 0808.., B 1008.., B 1408.., B 1808..	Traffic yellow



Wall brackets

96510004	B WL 7024	For B 08... - B 26...	Graphite grey
96510005	B WL 7035	For B 08... - B 26...	Light grey



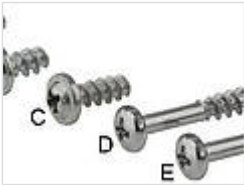
Mounting panels, laminated paper, 2 mm

96602100	B M 1008	For B 1008..	
----------	----------	--------------	--



Front panels, 2 mm, natural-coloured anodised aluminium

96702100 B FP 1008 For B 1008., front panel thickness 1.5 mm



Sets of screws

96300000 B SHR D (for optional screwing of enclosures B 0808 - 2617)
 96600010 B M-SHR C (for fixing mounting panels B M 1008-2736)
 96700000 B FP-SHR A (for fixing front panels)



Distance bolts

96726000 DIBLZ AK 30x7/IM3/26 ND = 2.4 - 2.6, for B...06 if a mounting plate is used
 96728000 DIBLZ AK 30x5/IM3/28 ND = 2.4 - 2.6, for B...06



Blanking plugs to determine the hinge side

96410000 B VS 3000 Flame red
 96410005 B VS 7035 Light grey
 96410004 B VS 7024 Graphite grey



Pressure compensation membrane DAE

52011000 DAE-D11 Self-adhesive membrane \varnothing 11 mm



Screws (SHR) and distance bolts (DIBLZ) for mounting bosses in plastic enclosures

59006217 SHR Z KA30x8 SD = 3,0 / ND = 2,4-2,6 / KD = 6,0