



X CLOSE

Snap-in Type TACT Switch™ > SKHC Series > SKHCBGA010

## 12mm Square Type (Snap-in) SKHC Series

| [Dimensions](#) | [Mounting Hole Dimensions](#) | [Circuit Diagram](#) | [Packing Specifications](#) |  
 | [Soldering Conditions](#) | [Products Line of Knob](#) |



Part number [Series Common Info](#)

SKHCBGA010

NET SHOP

3D CAD

RoHS

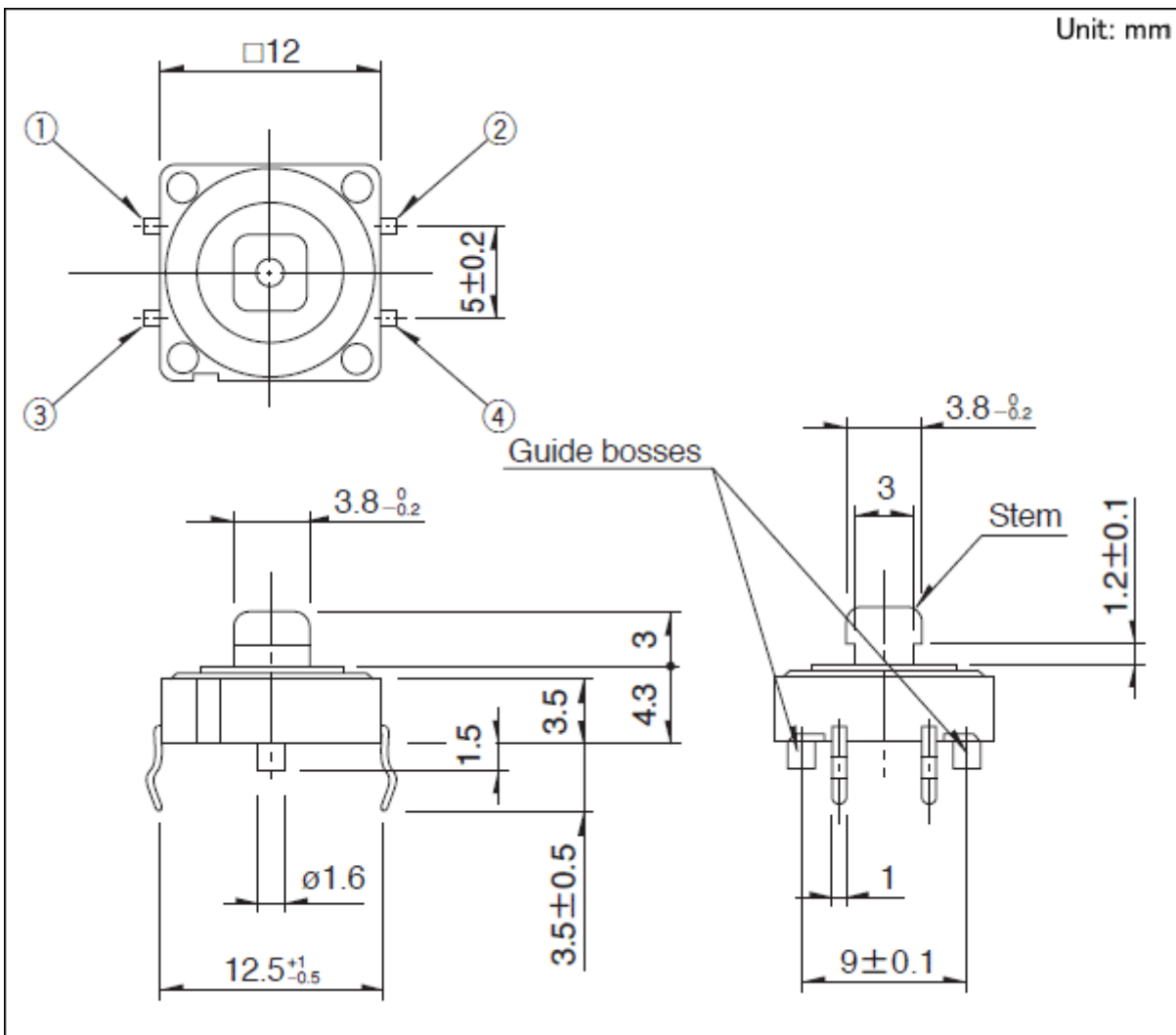
Print

Inquiry

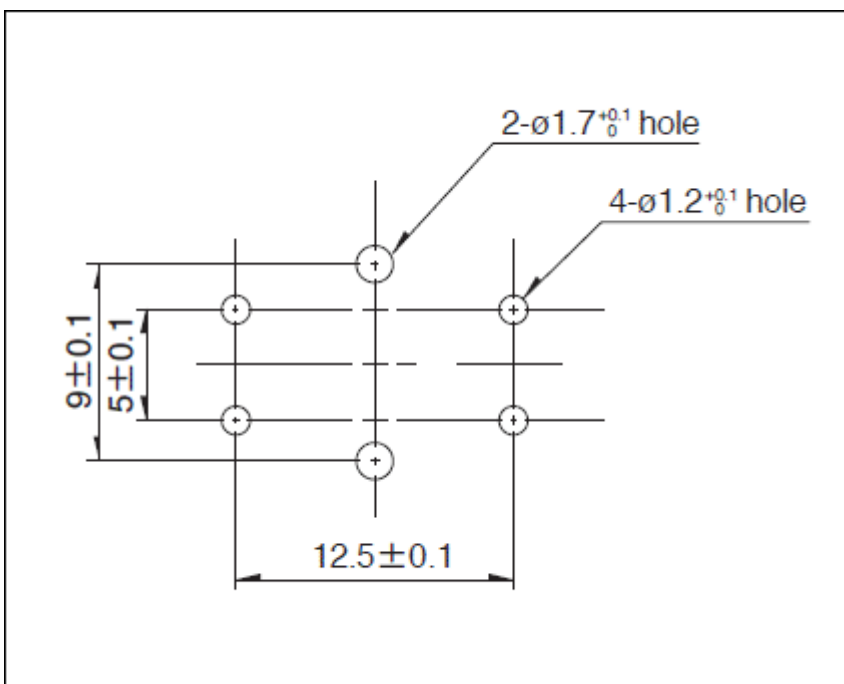
Type	Snap-in
Operating force	2.55N
Operating direction	Top push
Travel	0.3mm
Operating life (5mA 5V DC)	500,000 cycles
Initial contact resistance	100mΩ max.
Stem color	Dark gray
Stem	Joint stem
Series type	Sharp feeling type

Operating temperature range		-40°C to +85°C
Rating (max.)		50mA 12V DC
Rating (min.)		10μA 1V DC
Electrical performance	Insulation resistance	100MΩ min. 100V DC for 1min.
	Voltage proof	250V AC for 1 min.
Durability	Vibration	10 to 55 to 10Hz/min., the amplitude is 1.5mm for all the frequencies, in the 3 direction of X, Y and Z for 2 hours respectively
	Cold	-40 ± 2°C for 96h
Environmental performance	Dry heat	90 ± 2°C for 96h
	Damp heat	60 ± 2°C, 90 to 95%RH for 96h
Minimum order unit (pcs.)		Japan 1,000
		Export 1,000

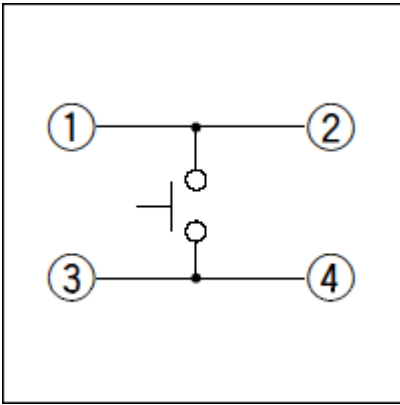
## Dimensions



## Mounting Hole Dimensions



## Circuit Diagram



## Packing Specifications

### Bulk

Number of packages (pcs.)	1 case / Japan	5,000
	1 case / export packing	15,000

Export package measurements (mm) 309 × 476 × 347

## Soldering Conditions

### Conditions for Auto-dip


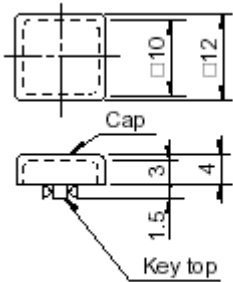
Items	Condition
Flux built-up	Mounting surface should not be exposed to flux
Preheating temperature	Ambient temperature of the soldered surface of PC board. 100°C max.
Preheating time	60s max.
Soldering temperature	260°C max.
Duration of immersion	5s max.
Number of soldering	2 times max.

### Manual Soldering

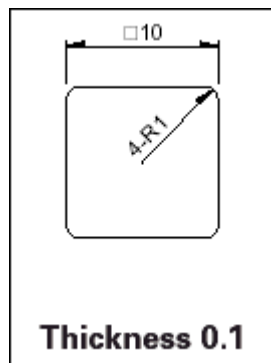
Items	Condition
Soldering temperature	350°C max.
Duration of soldering	3s max.
Capacity of soldering iron	60W max.

1. Do not washing the TACT Switch™.
2. Prevent flux penetration from the top side of the TACT switch™.
3. Switch terminals and a PC board should not be coated with flux prior to soldering.
4. The second soldering should be done after the switch returns to normal temperature.
5. Use the flux with a specific gravity of at least 0.81.  
(EC-19s-8 by TAMURA Corporation, or their equivalents.)

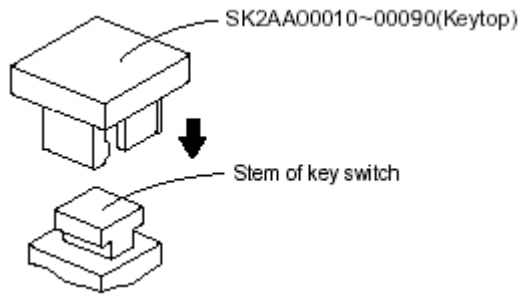
## Products Line of Knob

			
		<p style="text-align: center;"><b>Cap</b></p>	
Dimensions (Unit: mm)	<b>Clear</b>	<b>SK2AA00510</b>	
	<b>Keytop</b>		<b>Keytop + Cap</b>
	<b>Red</b>	<b>SK2AA00010</b>	<b>SK2AA00060</b>
	<b>Blue</b>	<b>SK2AA00020</b>	<b>SK2AA00070</b>
<b>Ivory</b>	<b>SK2AA00030</b>	<b>SK2AA00080</b>	
<b>Black</b>	<b>SK2AA00040</b>	<b>SK2AA00090</b>	

Label dimensions (Unit: mm)



1. The knob will be delivered together with the switch but packed separately.
2. The label is not included.
3. For SK2AA00010 to SK2AA00090 type, check its mounting direction.



## Notes are common to this series/models.

1. This site catalog shows only outline specifications. When using the products, please obtain formal specifications for supply.
2. Please use 1.6mm thick PC boards.
3. Please place purchase orders per minimum order unit (integer).
4. Please contact us for automotive use products.

## Inquiries about Products

[Inquiry.](#)

COPYRIGHT© 2020 ALPS ALPINE CO., LTD