

PY04 Series connector



Product introduction

PY04 type circular connectors have the features of small size ,light weight , convenient application with threaded-coupling connection .It can be interchanged with Russian type PC series , They are widely used for the electrical connection between electrical equipments and instruments. the pins of connector were gold plated brass,the the body were gold color plated aluminum alloy.

Technical characteristics

Temperature	Relative humidity	Atmosphere	Vibration	Shock	Endurance
-55°C~ +125°C	93%, At 40±2°C	101.33KPa~6.7Pa	10~2000Hz, 196m/s ²	490m/s ²	500 cycles

Current	Voltage	Contact resistance	Contact Ø
5A	250V	≤5mΩ	Ø1mm

Environment	Voltage proof	Insulation resistance
Normal	1000V	≥1000MΩ
High temperature	700V	≥500MΩ
Moisture	500V	≥50MΩ
Low pressure	200V	-

Product Ordering:

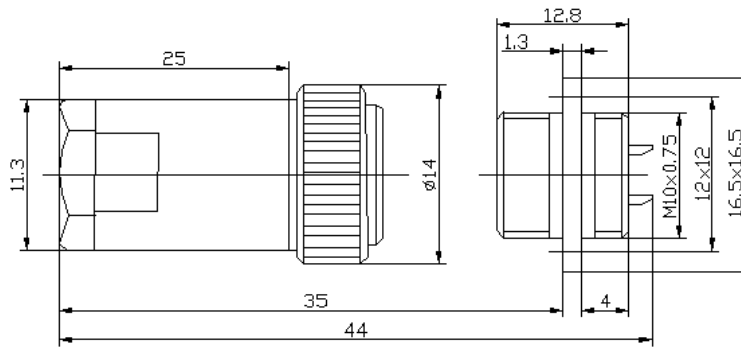
PY04 — 4 T/Z
 1 2 3

- 1.Name : PY04 series connector
- 2.Number of contacts : 4,7,10,19
3. T—plug with cover , Z—receptacle , C—cover ,F—plug without cover

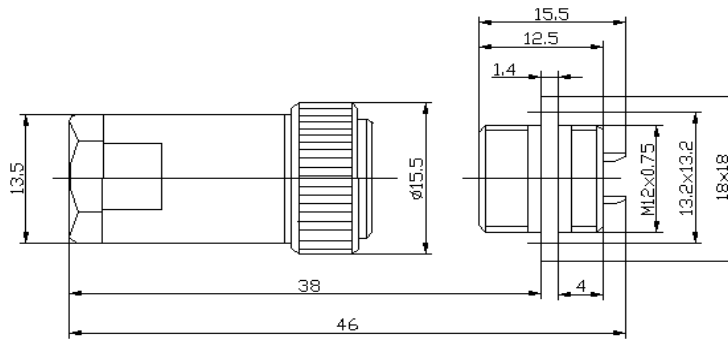
圆型系列电连接器 CIRCULAR CONNECTOR

Dimensions

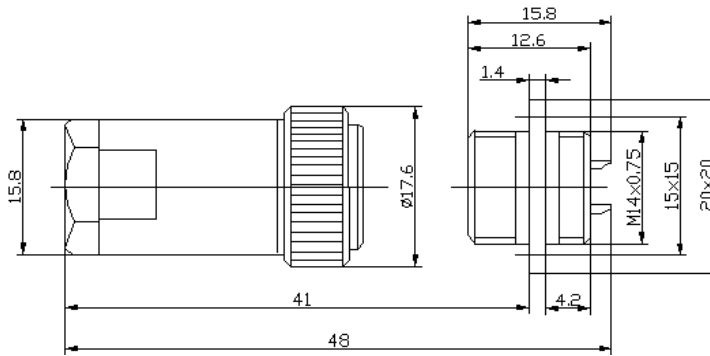
PY04-4T/Z



PY04-7T/Z



PY04-10T/Z



PY04-19T/Z

