

# MICRO SWITCH

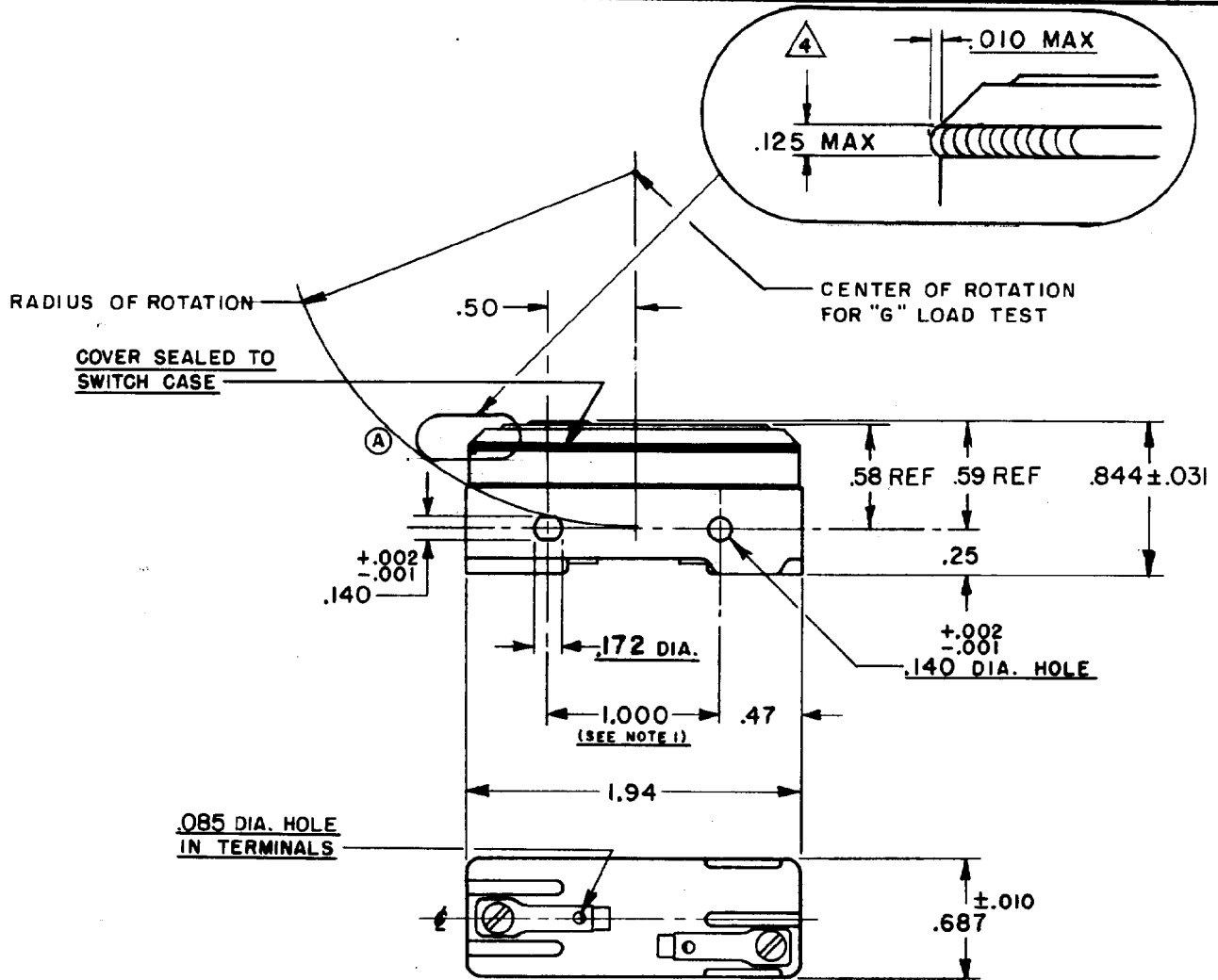
A DIVISION OF MINNEAPOLIS-HONEYWELL REGULATOR COMPANY  
 ST. LOUIS, MISSOURI

FED. MFR. CODE 91929

## SWITCH—BASIC

CATALOG LISTING

### 4BS3



#### NOTE -

- 1- MOUNTING HOLES WILL ACCEPT PINS OR SCREWS OF .139 MAX. DIA. ON 1.000 ±.002 CENTERS.
- 2- SWITCH IS CAPABLE OF BEING SUBMERGED IN 2 INCHES OF WATER FOR ONE HOUR WITHOUT DETERIORATION OF SEALANT AND WITHOUT INDICATION OF LEAKAGE
- 3- SWITCH WILL WITHSTAND 3 P.S.I. HYDROSTATIC PRESSURE FOR 3 MINUTES MIN.
- 4 A BAND OF EPOXY .010 MAX THICK X .125 MAX WIDE IS PERMITTED AT THE JUNCTION OF THE COVER AND CASE

THIS DRAWING COVERS A PROPRIETARY ITEM AND IS THE PROPERTY OF MICRO SWITCH, A DIVISION OF HONEYWELL. THIS DRAWING IS NOT TO BE COPIED OR USED WITHOUT THE APPROVAL OF MICRO SWITCH.

#### CHARACTERISTICS

OPERATING FORCE — — — — 40 GRAMS MAX.  
 RELEASE FORCE — — — — 20 GRAMS MIN.  
 "G" LOAD — — — — 5-8 "G"

#### ELECTRICAL DATA

CONTACT ARRANGEMENT  
 S. P. N. C.

(B)

#### SCALE FULL

DO NOT SCALE PRINT

UNLESS OTHERWISE SPECIFIED  
 DIMENSIONS ARE IN INCHES  
**TOLERANCES ARE:**

ONE PLACE (.0) ±.030  
 TWO PLACE (.00) ±.015  
 THREE PLACE (.000) ±.005  
 ANGLES ±

WEIGHT .050 LB.

4BS3

M

DRAWING NUMBER

ISSUE

8

REPLACES

RELEASE NO. SR 4441

CWT 1 JUN 63

CHECK

REH 1 JUN 63

CHECK

TVK 9 JUN 63

CHECK

H.A.P. 24 MAY 55

DRAWN

74-96

#### REVISIONS

A	CO18215	M B F	27 JAN 61
B	CO18194	M B F	19 JUNE 63
C	CO 24840	M B S	30 OCT 68
D	CO 60774	W J K	5 JAN 77
E	CO 77590		

DLT 10 JUN 94

F 0005508 PEH/AP 18 MAY 04

G 0005642 TCC/AP 26 MAY 04

# Mouser Electronics

Authorized Distributor

Click to View Pricing, Inventory, Delivery & Lifecycle Information:

[Honeywell:](#)

[4BS3](#)