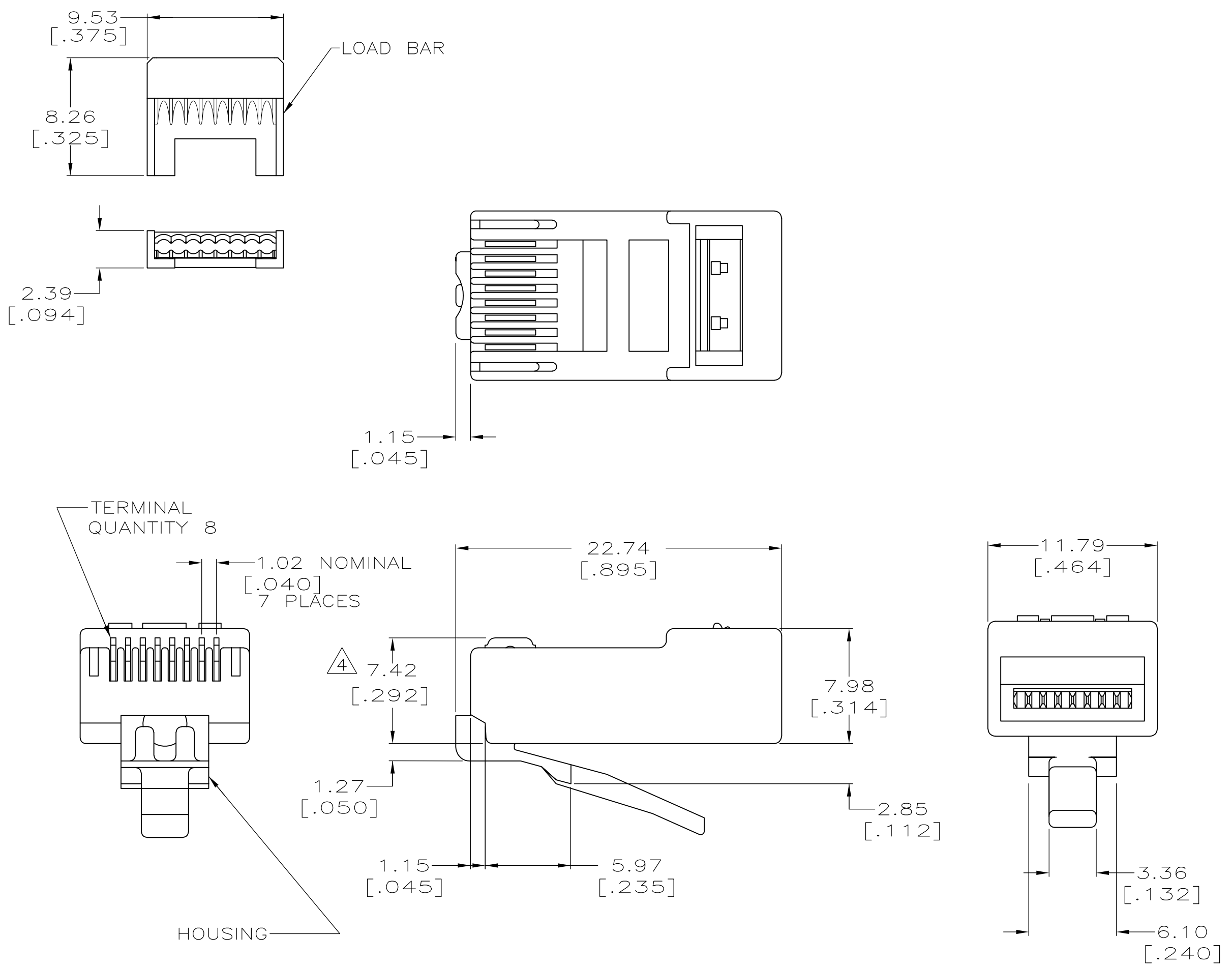


THIS DRAWING IS UNPUBLISHED. RELEASED FOR PUBLICATION
 © COPYRIGHT - By - ALL RIGHTS RESERVED.

LOC	DIST	REVISIONS			
P	LTR	DESCRIPTION	DATE	OWN	APVD
HM	00				
	K	REV; ECO-14-004548	26FEB2014	GG	JG

D
C
B
A



- 1 MATERIAL:
HOUSING-94V-0 RATED POLYCARBONATE,CLEAR.
TERMINAL-0.36 [.014] THICK PHOSPHOR BRONZE PLATED WITH 0.178um [.000007] GOLD IN LOCALIZED AREA OVER 0.762um [.000030] PALLADIUM NICKEL IN LOCALIZED AREA, OVER 2.54um [.000100] NICKEL UNDERPLATE COVERING THE ENTIRE TERMINAL.
LOAD BAR - PBT POLYESTER, BLACK.
- 2 DIMENSIONS ARE MAXIMUM UNLESS OTHERWISE SPECIFIED.
- 3. PLUG WILL ACCEPT A 24 AWG STRANDED CONDUCTOR, PROVIDED THE INSULATED CONDUCTOR DIAMETER IS LESS THAN OR EQUAL TO 0.99 [.039]; WITH A MAXIMUM CABLE JACKET DIAMETER OF 5.59 [.220], MINIMUM 4.83 [.190].
- 4 TERMINATED DIMENSION 6.15[.242] MAXIMUM.
- 5 500 ASSEMBLIES AND 500 LOAD BARS PER PACKAGE.
- 6 100 ASSEMBLIES AND 100 LOAD BARS PER PACKAGE.
- 8 10,000 ASSEMBLIES AND 10,000 LOAD BARS PER PACKAGE.
- 9. UL RECOGNIZED: FILE NUMBER E81956

6	5-558530-3
5	5-558530-2
8	5-558530-1
PACKAGED	PART NUMBER

THIS DRAWING IS A CONTROLLED DOCUMENT.		DWN T. WOOTEN 5-31-94	STE TE Connectivity	
DIMENSIONS: mm[INCHES]		CHK D. HUSSEY 7-13-94	NAME	
TOLERANCES UNLESS OTHERWISE SPECIFIED:		APVD -	PRODUCT SPEC	
0 PLC ± -	1 PLC ± -	108-1163		
2 PLC ± -	3 PLC ± -	APPLICATION SPEC		
4 PLC ± -	ANGLES ± -	114-6053		
MATERIAL - 1	FINISH - 1	WEIGHT -	SIZE A2	CAGE CODE 00779
		DRAWING NO G-558530		RESTRICTED TO
		CUSTOMER DRAWING		SCALE 4:1 SHEET 1 of 1 REV K

558530

A