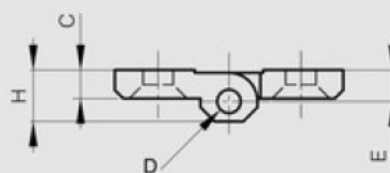
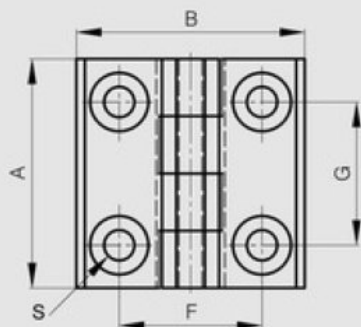


Polyamide hinges with countersunk holes

Model : 54-1-3030



Hinges are made of 30% GF polyamide, pins are in 304 stainless steel. A full product data sheet is available on our website.



D (pin diameter)	6
E	6.5
F (pitch)	30
G (pitch)	30
Finish	black
B (width)	50
Functions	free swing hinges
C	6
Opening angle	270
S	6.4
H	11.5
Weight (g)	28.5
A (length)	50
Material	polyamide
Material	plastic