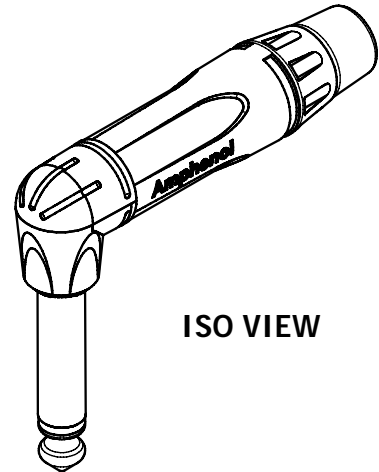
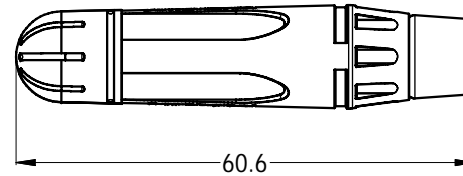


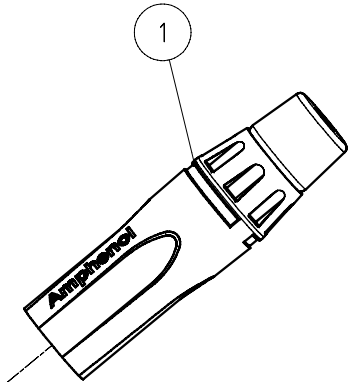
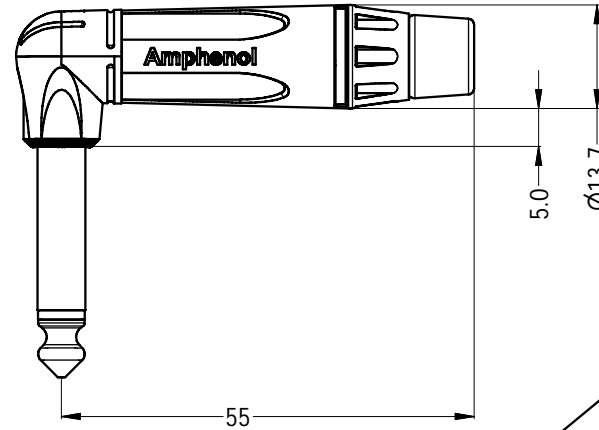
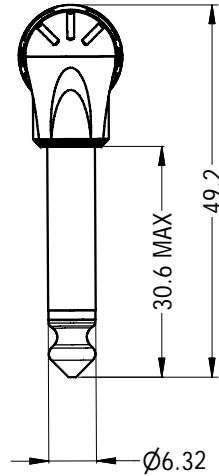
LEGEND  = KEY PRODUCT CHARACTERISTICS

REVISION HISTORY

REV	DESCRIPTION	DATE	BY	ECN
0	FIRST ISSUE	10/12/2010	M.H	8983



ISO VIEW



EXPLORED VIEW

ITEM	PART NUMBER	DESCRIPTION	QTY
4	50300105-x21	RA DIECAST CAP NICKEL/BLACK FINISH	1
3	51270031-521	RA INSULATE PVC TUBE CLEAR	1
2	50310043-x30	RA MONO INSERT ASSEMBLY NICKEL/GOLD	1
1	53490006-331/431	DIECAST SHELL NICKEL/BLACK FINISH	1

Parts List

PART NUMBER		
PART NUMBER	SHELL FINISH	CONTACT FINISH
ACPM-TN	NICKEL	NICKEL RING, SLEEVE & TIP
ACPM-TN-AU	NICKEL	GOLD RING, SLEEVE & TIP
ACPM-TB	BLACK	NICKEL RING, SLEEVE & TIP
ACPM-TB-AU	BLACK	GOLD RING, SLEEVE & TIP

NOTE: SUITABLE FOR 8mm OD CABLE

UNLESS OTHERWISE SPECIFIED TOLERANCE TO BE		THIS DOCUMENT IS THE PROPERTY OF AMPHENOL AUSTRALIA PTY. LTD. NO PART THEREOF MAY BE REPRODUCED AND USED WITHOUT THE PRIOR WRITTEN CONSENT OF THE OWNER				<b>Amphenol</b> Amphenol Australia Pty. Ltd, 2 Fiveways Blvd, Keysborough, VIC 3173	
LINEAR		ANGULAR		DRN: T.Z	DATE: 10-12-10	TITLE: 1/4" MONO PHONE RA PLUG M-SERIES II CUSTOMER DRAWING	
X ± 0.5	X' ± 1			CKD: M.H	DATE: 10-12-10	PART No: SEE TABLE	
X.X ± 0.25	X.X' ± 30'			APP'D: P.M	DATE: 10-12-10	DRAWING NO. 55010752-000-1	
X.XX ± 0.1	X.XX' ± 15'			SCALE: 2:1		SHEET 1/2	
BREAK ALL SHARP EDGES AND REMOVE ALL BURRS		SEE PARTS LIST & TABLE		DIMENSIONS IN MILLIMETRES		CAD FILE: 55010752000120	
DO NOT SCALE		FINISH: SEE TABLE		THIRD ANGLE PROJECTION			

# Mouser Electronics

Authorized Distributor

Click to View Pricing, Inventory, Delivery & Lifecycle Information:

[Amphenol:](#)

[ACPM-TB](#) [ACPM-TB-AU](#) [ACPM-TN](#) [ACPM-TN-AU](#) [ACPM-TBBULK](#) [ACPM-TNBULK](#)