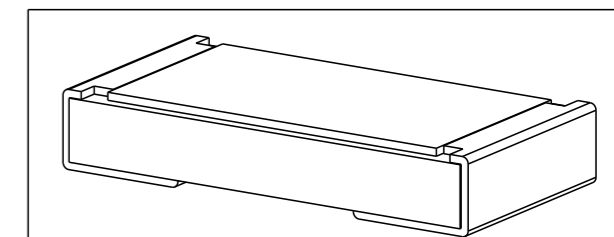
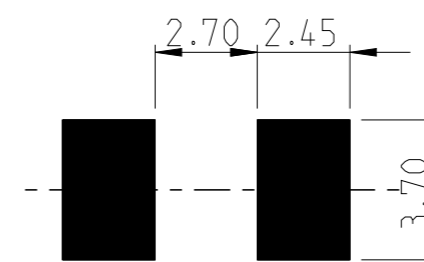
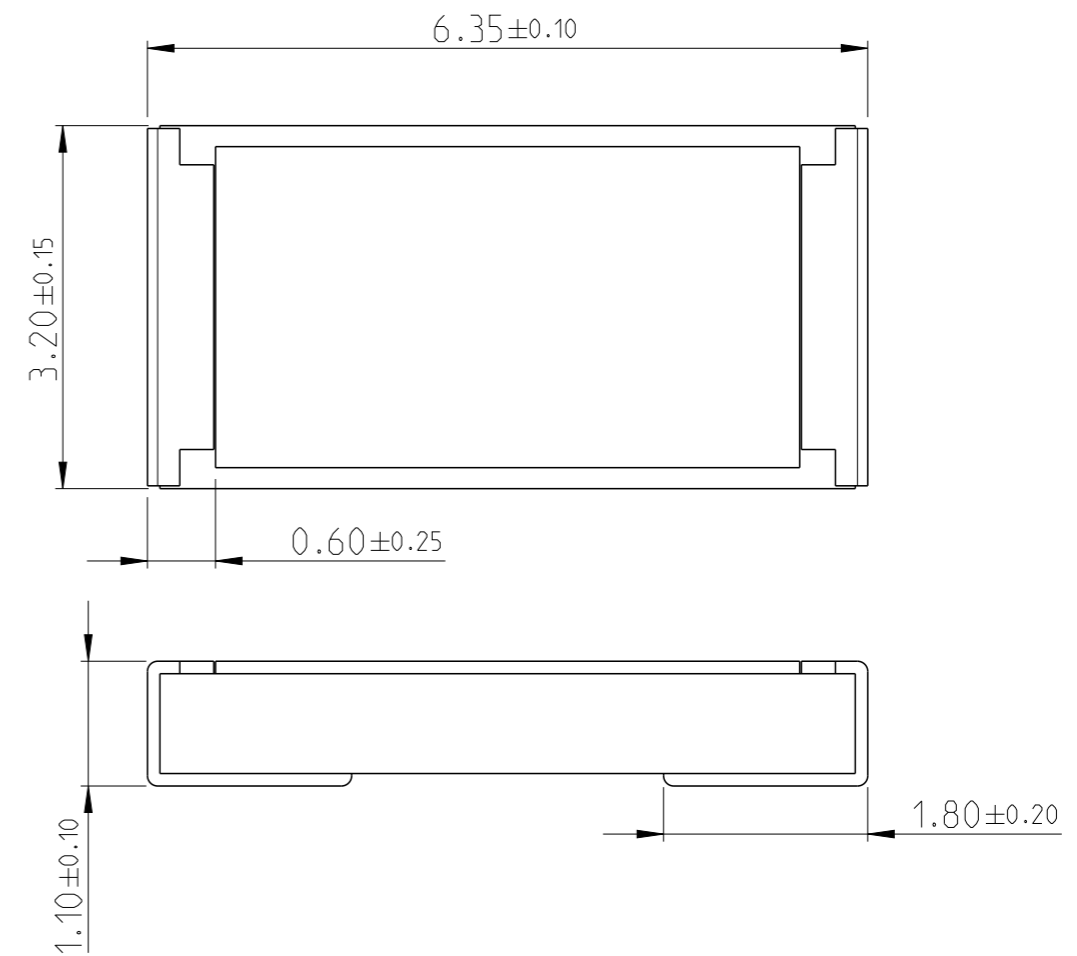


KIT CONTENTS

VALUE	PRODUCT NUMBER	TCPN	DESCRIPTION	QUANTITY
ZR	3522ZR	2176230-1	3522 0R0 5% 3W	100
1R0	35221R0FT	2-2176232-3	3522 1R0 1% 3W	100
1R5	35221R5FT	2-2176232-4	3522 1R5 1% 3W	100
2R2	35222R2FT	2-2176232-5	3522 2R2 1% 3W	100
3R3	35223R3FT	2-2176232-6	3522 3R3 1% 3W	100
4R7	35224R7FT	2-2176232-7	3522 4R7 1% 3W	100
6R8	35226R8FT	2-2176232-9	3522 6R8 1% 3W	100
10R	352210RFT	2176231-1	3522 10R 1% 3W	100
11R	352211RFT	2176231-2	3522 11R 1% 3W	100
12R	352212RFT	2176231-3	3522 12R 1% 3W	100
13R	352213RFT	2176231-4	3522 13R 1% 3W	100
15R	352215RFT	2176231-5	3522 15R 1% 3W	100
16R	352216RFT	2176231-6	3522 16R 1% 3W	100
18R	352218RFT	2176231-7	3522 18R 1% 3W	100
20R	352220RFT	2176231-8	3522 20R 1% 3W	100
22R	352222RFT	2176231-9	3522 22R 1% 3W	100
24R	352224RFT	1-2176231-0	3522 24R 1% 3W	100
27R	352227RFT	1-2176231-1	3522 27R 1% 3W	100
30R	352230RFT	1-2176231-2	3522 30R 1% 3W	100
33R	352233RFT	1-2176231-3	3522 33R 1% 3W	100
36R	352236RFT	1-2176231-4	3522 36R 1% 3W	100
39R	352239RFT	1-2176231-5	3522 39R 1% 3W	100
43R	352243RFT	1-2176231-6	3522 43R 1% 3W	100
47R	352247RFT	1-2176231-7	3522 47R 1% 3W	100
51R	352251RFT	1-2176231-8	3522 51R 1% 3W	100
56R	352256RFT	1-2176231-9	3522 56R 1% 3W	100
62R	352262RFT	2-2176231-0	3522 62R 1% 3W	100
68R	352268RFT	2-2176231-1	3522 68R 1% 3W	100
75R	352275RFT	2-2176231-2	3522 75R 1% 3W	100

REVISIONS

P	LTR	DESCRIPTION	DATE	DWN	APVD
	BA	INITIAL RELEASE	26SEP2019	SB	AP



PDB LAYOUT PLAN

THIS DRAWING IS A CONTROLLED DOCUMENT.

DWN 26SEP2019
SHRICHARANA B
CHK 26SEP2019
ALLAN P
APVD



NAME 3522 3W 1% ZR, 1R0 - 1M0 LAB-KIT

DIMENSIONS: mm	TOLERANCES UNLESS OTHERWISE SPECIFIED:
	0 PLC ± 1 PLC ± 2 PLC ± 3 PLC ± 4 PLC ± ANGLES ±
MATERIAL	FINISH
-	-

PRODUCT SPEC	-
APPLICATION SPEC	-
WEIGHT	-
CUSTOMER DRAWING	


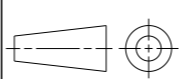
SIZE	CAGE CODE	DRAWING NO	RESTRICTED TO
A3	00779	©=2176439-7	
SCALE	SHEET	REV	
40:1	1 OF 3	BA	

KIT CONTENTS

P	LTR	DESCRIPTION	DATE	DWN	APVD
	-	SEE SHEET 1	-	-	-

VALUE	PRODUCT NUMBER	TCPN	DESCRIPTION	QUANTITY
82R	352282RFT	2-2176231-3	3522 82R 1% 3W	100
91R	352291RFT	2-2176231-4	3522 91R 1% 3W	100
100R	3522100RFT	2-2176231-5	3522 100R 1% 3W	100
110R	3522110RFT	2-2176231-6	3522 110R 1% 3W	100
120R	3522120RFT	2-2176231-7	3522 120R 1% 3W	100
130R	3522130RFT	2-2176231-8	3522 130R 1% 3W	100
150R	3522150RFT	2-2176231-9	3522 150R 1% 3W	100
160R	3522160RFT	3-2176231-0	3522 160R 1% 3W	100
180R	3522180RFT	3-2176231-1	3522 180R 1% 3W	100
200R	3522200RFT	3-2176231-2	3522 200R 1% 3W	100
220R	3522220RFT	3-2176231-3	3522 220R 1% 3W	100
240R	3522240RFT	3-2176231-4	3522 240R 1% 3W	100
270R	3522270RFT	3-2176231-5	3522 270R 1% 3W	100
300R	3522300RFT	3-2176231-6	3522 300R 1% 3W	100
330R	3522330RFT	3-2176231-7	3522 330R 1% 3W	100
360R	3522360RFT	3-2176231-8	3522 360R 1% 3W	100
390R	3522390RFT	3-2176231-9	3522 390R 1% 3W	100
430R	3522430RFT	4-2176231-0	3522 430R 1% 3W	100
470R	3522470RFT	4-2176231-1	3522 470R 1% 3W	100
510R	3522510RFT	4-2176231-2	3522 510R 1% 3W	100
560R	3522560RFT	4-2176231-3	3522 560R 1% 3W	100
620R	3522620RFT	4-2176231-4	3522 620R 1% 3W	100
680R	3522680RFT	4-2176231-5	3522 680R 1% 3W	100
750R	3522750RFT	4-2176231-6	3522 750R 1% 3W	100
820R	3522820RFT	4-2176231-7	3522 820R 1% 3W	100
910R	3522910RFT	4-2176231-8	3522 910R 1% 3W	100
1K0	35221K0FT	4-2176231-9	3522 1K0 1% 3W	100
1K1	35221K1FT	5-2176231-0	3522 1K1 1% 3W	100

VALUE	PRODUCT NUMBER	TCPN	DESCRIPTION	QUANTITY
1K2	35221K2FT	5-2176231-1	3522 1K2 1% 3W	100
1K3	35221K3FT	5-2176231-2	3522 1K3 1% 3W	100
1K5	35221K5FT	5-2176231-3	3522 1K5 1% 3W	100
1K6	35221K6FT	5-2176231-4	3522 1K6 1% 3W	100
1K8	35221K8FT	5-2176231-5	3522 1K8 1% 3W	100
2K0	35222K0FT	5-2176231-6	3522 2K0 1% 3W	100
2K2	35222K2FT	5-2176231-7	3522 2K2 1% 3W	100
2K4	35222K4FT	5-2176231-8	3522 2K4 1% 3W	100
2K7	35222K7FT	5-2176231-9	3522 2K7 1% 3W	100
3K0	35223K0FT	6-2176231-0	3522 3K0 1% 3W	100
3K3	35223K3FT	6-2176231-1	3522 3K3 1% 3W	100
3K6	35223K6FT	6-2176231-2	3522 3K6 1% 3W	100
3K9	35223K9FT	6-2176231-3	3522 3K9 1% 3W	100
4K3	35224K3FT	6-2176231-4	3522 4K3 1% 3W	100
4K7	35224K7FT	6-2176231-5	3522 4K7 1% 3W	100
5K1	35225K1FT	6-2176231-6	3522 5K1 1% 3W	100
5K6	35225K6FT	6-2176231-7	3522 5K6 1% 3W	100
6K2	35226K2FT	6-2176231-8	3522 6K2 1% 3W	100
6K8	35226K8FT	6-2176231-9	3522 6K8 1% 3W	100
7K5	35227K5FT	7-2176231-0	3522 7K5 1% 3W	100
8K2	35228K2FT	7-2176231-1	3522 8K2 1% 3W	100
9K1	35229K1FT	7-2176231-2	3522 9K1 1% 3W	100
10K	352210KFT	7-2176231-3	3522 10K 1% 3W	100
11K	352211KFT	7-2176231-4	3522 11K 1% 3W	100
12K	352212KFT	7-2176231-5	3522 12K 1% 3W	100


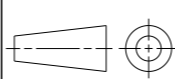
THIS DRAWING IS A CONTROLLED DOCUMENT.		DWN SHRICHARANA B 26SEP2019	 TE Connectivity	
DIMENSIONS: mm		CHK ALLAN P 26SEP2019		
		TOLERANCES UNLESS OTHERWISE SPECIFIED: 0 PLC ± 1 PLC ± 2 PLC ± 3 PLC ± 4 PLC ± ANGLES ±		NAME 3522 3W 1% ZR, 1R0 - 1M0 LAB-KIT
MATERIAL -		FINISH -		PRODUCT SPEC - APPLICATION SPEC - WEIGHT -
CUSTOMER DRAWING			SIZE A3	CAGE CODE 00779
			DRAWING NO G-2176439-7	RESTRICTED TO
			SCALE 40:1	SHEET 2 OF 3
			REV BA	

KIT CONTENTS

VALUE	PRODUCT NUMBER	TCPN	DESCRIPTION	QUANTITY
13K	352213KFT	7-2176231-6	3522 13K 1% 3W	100
15K	352215KFT	7-2176231-7	3522 15K 1% 3W	100
16K	352216KFT	7-2176231-8	3522 16K 1% 3W	100
18K	352218KFT	7-2176231-9	3522 18K 1% 3W	100
20K	352220KFT	8-2176231-0	3522 20K 1% 3W	100
22K	352222KFT	8-2176231-1	3522 22K 1% 3W	100
24K	352224KFT	8-2176231-2	3522 24K 1% 3W	100
27K	352227KFT	8-2176231-3	3522 27K 1% 3W	100
30K	352230KFT	8-2176231-4	3522 30K 1% 3W	100
33K	352233KFT	8-2176231-5	3522 33K 1% 3W	100
36K	352236KFT	8-2176231-6	3522 36K 1% 3W	100
39K	352239KFT	8-2176231-7	3522 39K 1% 3W	100
43K	352243KFT	8-2176231-8	3522 43K 1% 3W	100
47K	352247KFT	8-2176231-9	3522 47K 1% 3W	100
51K	352251KFT	9-2176231-0	3522 51K 1% 3W	100
56K	352256KFT	9-2176231-1	3522 56K 1% 3W	100
62K	352262KFT	9-2176231-2	3522 62K 1% 3W	100
68K	352268KFT	9-2176231-3	3522 68K 1% 3W	100
75K	352275KFT	9-2176231-4	3522 75K 1% 3W	100
82K	352282KFT	9-2176231-5	3522 82K 1% 3W	100
91K	352291KFT	9-2176231-6	3522 91K 1% 3W	100
100K	3522100KFT	9-2176231-7	3522 100K 1% 3W	100
110K	3522110KFT	9-2176231-8	3522 110K 1% 3W	100
120K	3522120KFT	9-2176231-9	3522 120K 1% 3W	100
130K	3522130KFT	2176232-1	3522 130K 1% 3W	100
150K	3522150KFT	2176232-2	3522 150K 1% 3W	100
160K	3522160KFT	2176232-3	3522 160K 1% 3W	100
180K	3522180KFT	2176232-4	3522 180K 1% 3W	100

VALUE	PRODUCT NUMBER	TCPN	DESCRIPTION	QUANTITY
200K	3522200KFT	2176232-5	3522 200K 1% 3W	100
220K	3522220KFT	2176232-6	3522 220K 1% 3W	100
240K	3522240KFT	2176232-7	3522 240K 1% 3W	100
270K	3522270KFT	2176232-8	3522 270K 1% 3W	100
300K	3522300KFT	2176232-9	3522 300K 1% 3W	100
330K	3522330KFT	1-2176232-0	3522 330K 1% 3W	100
360K	3522360KFT	1-2176232-1	3522 360K 1% 3W	100
390K	3522390KFT	1-2176232-2	3522 390K 1% 3W	100
430K	3522430KFT	1-2176232-3	3522 430K 1% 3W	100
470K	3522470KFT	1-2176232-4	3522 470K 1% 3W	100
510K	3522510KFT	1-2176232-5	3522 510K 1% 3W	100
560K	3522560KFT	1-2176232-6	3522 560K 1% 3W	100
620K	3522620KFT	1-2176232-7	3522 620K 1% 3W	100
680K	3522680KFT	1-2176232-8	3522 680K 1% 3W	100
750K	3522750KFT	1-2176232-9	3522 750K 1% 3W	100
820K	3522820KFT	2-2176232-0	3522 820K 1% 3W	100
910K	3522910KFT	2-2176232-1	3522 910K 1% 3W	100
1M0	35221M0FT	2-2176232-2	3522 1M0 1% 3W	100
1M5	35221M5FT	3-2176232-0	3522 1M5 1% 3W	100
2M2	35222M2FT	3-2176232-1	3522 2M2 1% 3W	100
3M3	35223M3FT	3-2176232-2	3522 3M3 1% 3W	100
4M7	35224M7FT	3-2176232-3	3522 4M7 1% 3W	100
6M8	35226M8FT	3-2176232-4	3522 6M8 1% 3W	100
10M	352210MFT	3-2176232-5	3522 10M 1% 3W	100

REVISIONS					
P	LTR	DESCRIPTION	DATE	DWN	APVD
-	-	SEE SHEET 1	-	-	-

THIS DRAWING IS A CONTROLLED DOCUMENT.		DWN SHRICHARANA B 26SEP2019	 TE Connectivity		
DIMENSIONS: mm		CHK ALLAN P 26SEP2019			
		TOLERANCES UNLESS OTHERWISE SPECIFIED:		NAME 3522 3W 1% ZR, 1R0 - 1M0 LAB-KIT	
MATERIAL -		FINISH -		PRODUCT SPEC -	
				APPLICATION SPEC -	
				WEIGHT -	
				SIZE A3	CAGE CODE 00779
				DRAWING NO C=2176439-7	
				RESTRICTED TO	
				SCALE 40:1	SHEET 3 OF 3
				REV BA	