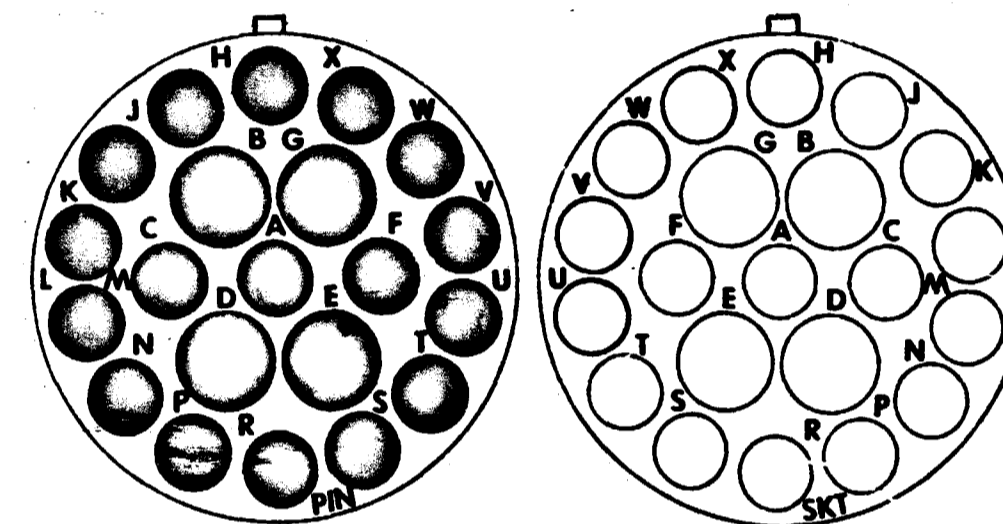
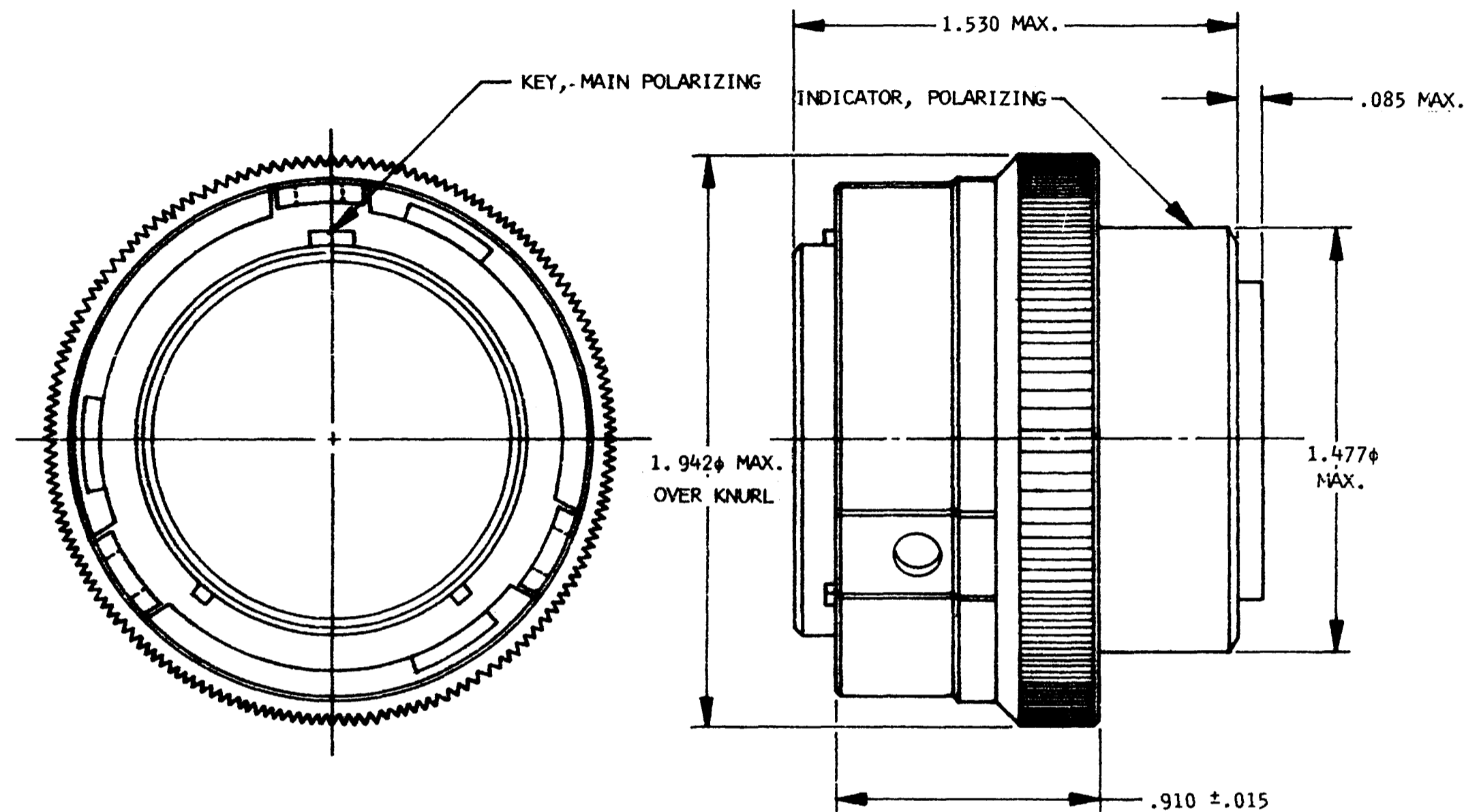


HDB36-24-21P/SN

REVISIONS

SYM	DESCRIPTION	DATE	APPROVED
N/C	NEW RELEASE PER E.O. 94322	4-8-82	T.H.
A	REVISED PER E.O. 93875	4-8-83	L. Stolle



PINS
SOCKETS
CABLE END VIEW OF CONNECTOR WITH INSERTS


5. CONSULT FACTORY FOR AVAILABILITY.
4. DIMENSIONS ARE IN INCHES UNLESS OTHERWISE SPECIFIED.
3. THIS CONNECTOR SERIES WILL ACCOMMODATE THE FOLLOWING WIRE INSULATION DIAMETER.

CONTACT SIZE	MIN. O.D.	MAX. O.D.	WIRE GAGE RANGE
12	.134	.170	12 & 14
16	.100	.130	16 & 18

2. CONSULT FACTORY FOR ELECTRICAL AND MATERIAL SPECIFICATION.

1. PERTINENT INFORMATION:
 POWER CONTACTS # 12 PIN 0460-204-12141
 # 12 SKT 0462-203-12141
 # 16 PIN 0460-202-16141
 # 16 SKT 0462-201-16141

NOTE:

SIGNATURE & DATE		PLUG, CONNECTOR BREAKAWAY BAYONET COUPLING REAR INSERTION & REMOVAL ENVIRONMENTAL ENVELOPE	CP _____	MATL CODE _____	
DR	<i>Lashway 4-8-82</i>		The Deutsch Company ELECTRONIC COMPONENTS DIVISION  <i>Municipal Airport Banning, California</i>		
CRK	<i>Tim Holt 4-19-82</i>		B HDB36-24-21P/SN	CODE	SHEET 1 OF 1
PE	<i>Ron von Steingard 4-2-82</i>			11139	
APPD					
SCALE	NONE	WT			

Mouser Electronics

Authorized Distributor

Click to View Pricing, Inventory, Delivery & Lifecycle Information:

[TE Connectivity:](#)

[HDB36-24-21PN](#)