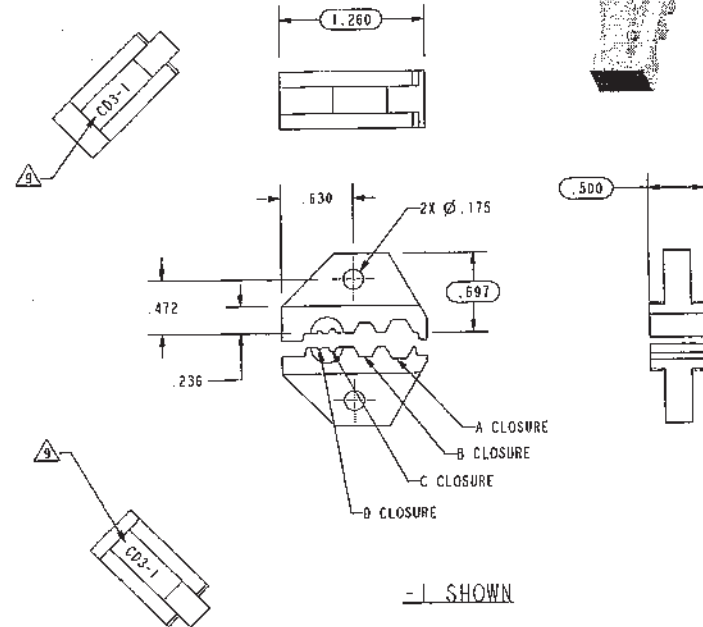


DASH NUMBER	CLOSURE				CABLE GROUPS ACCOMMODATED	MARKING Δ
	A	B	C Δ	D Δ		
-1	.213 HEX	.178 HEX	.068 HEX	.042 HEX	-003, -003, -004, -007, -008, -009, -010, -011, -012, -021, -026, -027	CD3-1
-2	.324 HEX	.255 HEX	.068 HEX	.042 HEX	-013, -014, -016, -018, -019, -022, -023, -025 (-015, -018 PL130CP)	CD3-2
-3	.344 HEX	.290 HEX	.068 HEX	.042 HEX	-015, -017, -020, -024	CD3-3
-4	.193 SHIELD	.218 HEX	.197 HEX		-201, -202, -203, -204, -205, -218	CD3-4
-5		.187 HEX	.068 HEX	.042 HEX	-002, -005, -006	CD3-5
-6	.308 HEX	.272 HEX			-013, -013A, -014 PL130CP ONLY	CD3-6
-7	.263 SHIELD	.344 HEX			-201 THRU -218 ("70" SERIES ONLY)	CD3-7
-8	.263 SHIELD	.344 HEX			-207, -210 THRU -216 ("150AC" LG BODY SERIES ONLY)	CD3-8
-9	.193 SHIELD	.285 HEX			-201 THRU -206, -208, -209, -217, -218 ("150AC" SM BODY SERIES ONLY)	CD3-9
-10	.218 HEX	.165 HEX			-301 (CJ/PL150C, SP8P/8)	CD3-10
-11	.255 HEX	.178 HEX			-025 AT&T (.255), -026 AT&T (.178)	1047-01
-12	.324 HEX	.151 HEX			-016 AT&T (.324), -027 AT&T (.151)	1047-02
-13	.290 HEX				AT&T 6107/027C	1047-03
-14	.213 HEX	.178 HEX	.068 HEX	.042 HEX	SPECIAL FOR HTI	CD3-14
-15	.255 HEX	.178 HEX	.068 HEX		SPECIAL FOR RYNEX	CD3-15
-16	.202 CIRCULAR	.042 BOX			SPECIAL FOR TELMEH (105-1428/1430)	CD3-16
-17	.255 HEX	.178 HEX			SPECIAL FOR TELECOH (INDENTS HEX SIZE)	CD3-17
-18	.324 HEX	.178 HEX			SPECIAL FOR TELECOH (INDENTS HEX SIZE)	CD3-18
-19	.178 HEX	.255 HEX			-025 AT&T (.255) -026 AT&T (.178)	CD3-19
-20					SAVE FOR NBC	CD3-20
-21	.290 HEX	.255 HEX	.042 HEX		1694A BELDON, 1505A BELDON, D2, D3, D4, D6, D8, D9, D11, D12	CD3-21
-22	.404 HEX	.068 HEX			BELDEN 7731A, COMSCOPE 5905, D5	CD3-22
-23	.324 HEX	.290 HEX			BELDEN 1694A, BELDEK 8281	CD3-23
-24		.178 HEX	.034 BOX		NORTEL CABLE TX 1 THRU 32	CD3-24

DATA CONTAINED IN THIS DOCUMENT IS PROPRIETARY OF TROMPETER ELECTRONICS, INC. AND SHALL NOT BE DISCLOSED, COPIED OR USED FOR PROCUREMENT OR MANUFACTURE WITHOUT EXPRESS WRITTEN PERMISSION.

REVISIONS

REV	DESCRIPTION	DATE	APPROVED
AX	REVISED PER ECO 16438	10/17/87	[Signature]



RED INDICATES ORIGINAL

Δ STAMP OR LASER MARK WITH .12 HIGH GOTHIC CHARACTERS APPROXIMATELY AS SHOWN ON BOTH HALVES. SEE TABLE FOR MARKING

8. -4, -7, -8, & -9 SUPPLIED WITH HEX WRENCH (.050 HEX) FOR SHIELD CRIMP ADJUSTMENT

7. GAUGE HEX CLOSURES PER TGS-3

Δ .068 HEX USED ON 50 Ω CONTACTS AND RIGHT ANGLE 75 Ω CONTACTS ONLY. .042 HEX USED ON 75 Ω CONTACTS ONLY

5. SET DEPTH OF CRIMP PIN AND LOCATOR PIN FOR -7 & -8 POSITION "A" WITH 010-0039-304 GAUGE PER TAI-136

4. SET DEPTH OF CRIMP PIN AND LOCATOR PIN FOR -4 & -9 POSITION "A" WITH 010-0039-301 GAUGE PER TAI-136

3. CRIMP DIE SETS FOR USE WITH HAND CRIMP TOOL (CT3, CT4 AND CT4L)

2. FINISH: BLACK OXIDE

1. ALL DIMENSIONS ARE APPLICABLE TO BOTH DIE HALVES EXCEPT CRIMP DIMENSIONS WHICH ARE FOR DIE HALVES IN A MATED CONDITION.

NOTES: UNLESS OTHERWISE SPECIFIED.

INTERPRET DRAWING PER MIL-STD-100. DIMENSIONS ARE IN INCHES UNLESS OTHERWISE SPECIFIED. DIMENSIONS UNLESS OTHERWISE SPECIFIED.		NON-VALUES SPECIFIED: .EX ± .02 .EXX ± .010 ANGLE ± 1°		TROMPETER RF connectivity <small>a circuit connectivity solution brand</small>	
DATE: CJM 10-24-87 CD3 11/1/87 CD3-1	MATERIAL:	TITLE: CD3		SIZE: B CAGE CODE: 14949 DRAWING NO.: 010-0039 REV: AX	
NEXT ASSY:	DO NOT SCALE DWG:	SCALE: 1/1	DATE: 12-22-83	SHEET: 1C	1C

Mouser Electronics

Authorized Distributor

Click to View Pricing, Inventory, Delivery & Lifecycle Information:

[Cinch Connectivity Solutions:](#)

[CD3-19](#) [UPL250-009](#) [ADPL80-E3-UBJ20](#) [CD3-3](#) [TWCH-78-2](#)