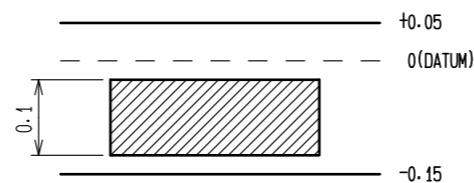
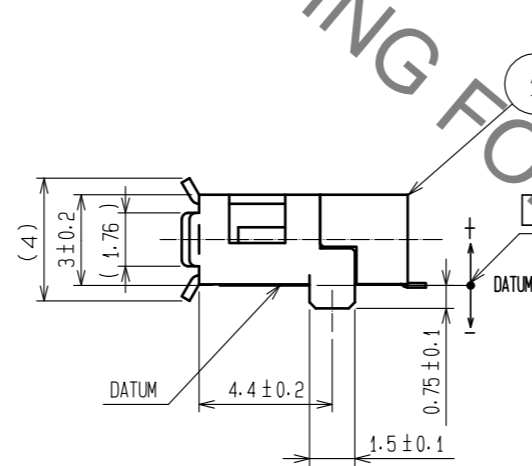
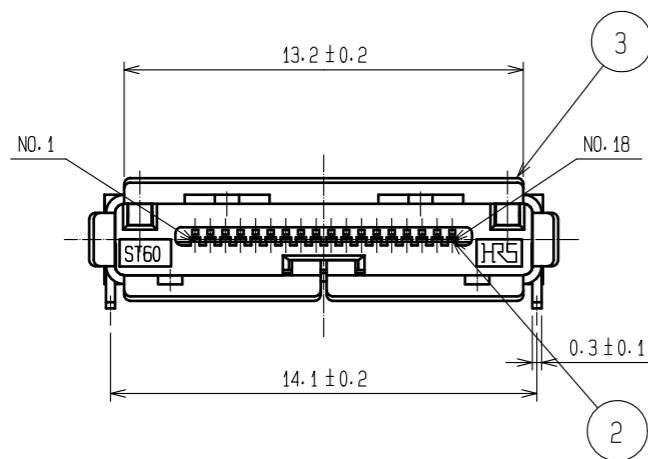
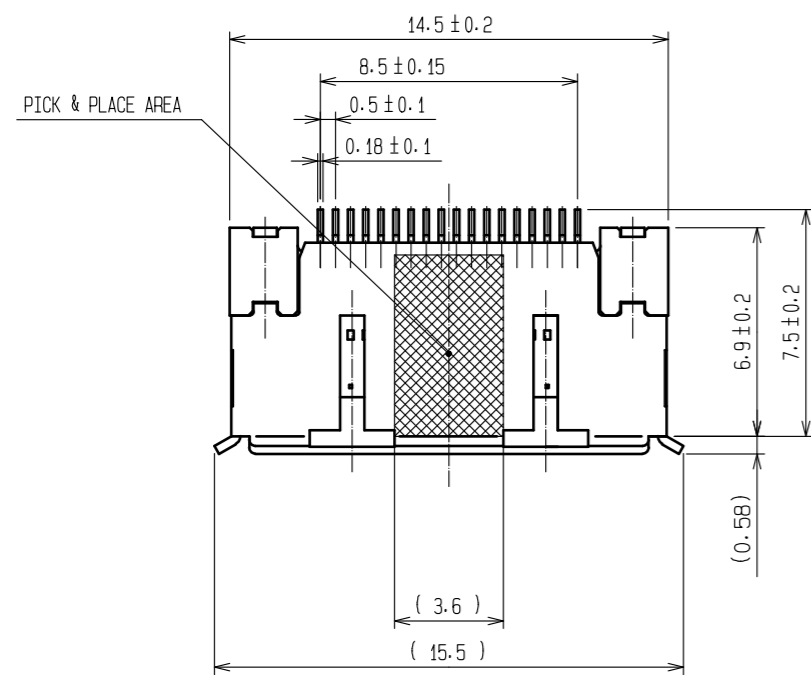
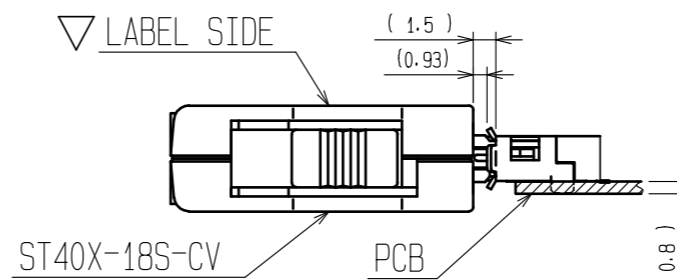


Aug.1.2020 Copyright 2020 HIROSE ELECTRIC CO., LTD. All Rights Reserved.
In case of consideration for using Automotive equipment / device which demand high reliability, kindly contact our sales window correspondents.



PATTERN OF MOUNTING PLUG (2:1)



RECOMMENDED PC BOARD HOLE PATTERN (2:1)

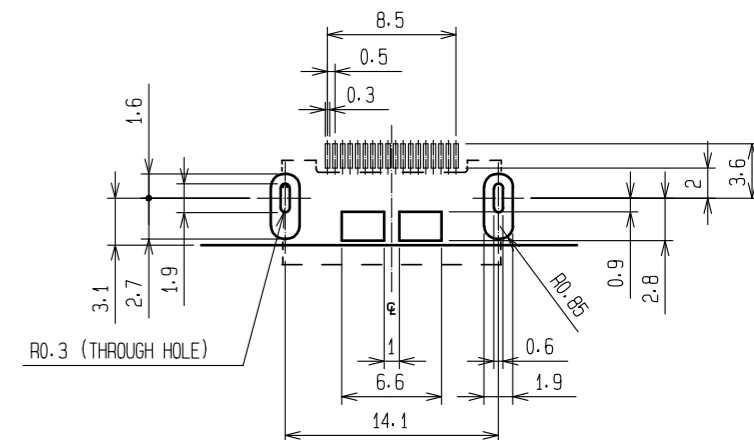
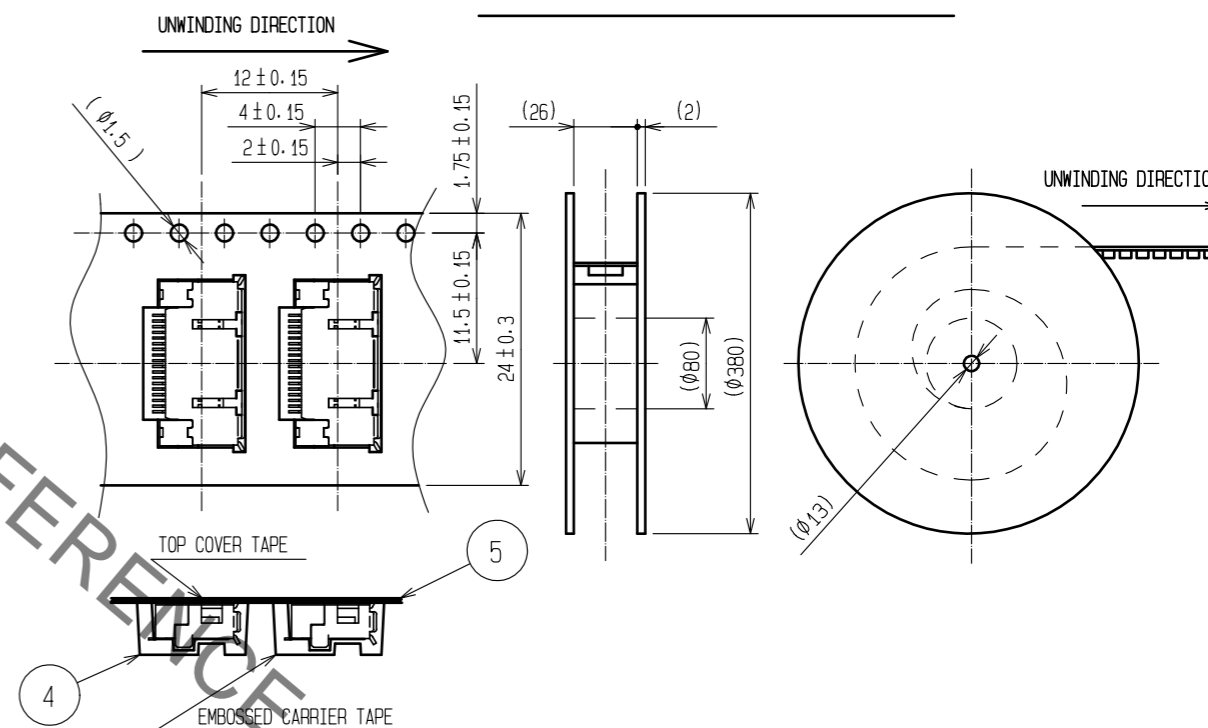


FIGURE FOR PAKAGING (FREE)



- NOTE 1 1REEL:1500 PIECES.
1REEL CONSISTS OF 1500 PIECES FOR SALE.
- 2 CO-PLANARITY SPECIFICATION AS FIG SHOWN IN THE RIGHT.
 - 3 PLATING
CONTACT AREA GOLD 0.2μm min.
LEAD AREA GOLD FLASH.
UNDER PLATING NICKEL 2μm.
 - 4 PLATING
SURFACE AREA TIN 2μm min.
UNDER PLATING NICKEL 0.2μm min.

2	COPPER ALLOY	3	5	PS	TOP COVER TAPE
1	LCP-M	COLOR BLACK UL94V-0	4	PS	EMBOSSED CARRIER TAPE
			3	STAINLESS STEEL	4
NO.	MATERIAL	FINISH . REMARKS	NO.	MATERIAL	FINISH . REMARKS
UNITS	mm	SCALE	4 : 1	COUNT	△
DESCRIPTION OF REVISIONS		DESIGNED	15.10.27	CHECKED	15.10.27
APPROVED : NM. NISHIMATSU		DATE	15.10.27	DRAWING NO. EDC-123731-30-00	
CHECKED : KN. ICHIKAWA		DATE	15.10.27	PART NO. ST60-18P(30)	
DESIGNED : TS. ITO		DATE	15.10.27	CODE NO. CL241-0011-9-30	
DRAWN : AK. AKIYAMA		DATE	15.10.27		

Mouser Electronics

Authorized Distributor

Click to View Pricing, Inventory, Delivery & Lifecycle Information:

[Hirose Electric:](#)

[ST60-18P\(30\)](#)