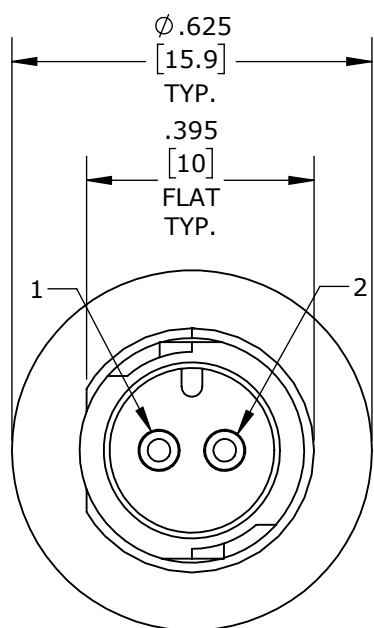


MFG. ENG.	APPROVED BY:	DATE:	QA	APPROVED BY:	DATE:
-----------	--------------	-------	----	--------------	-------

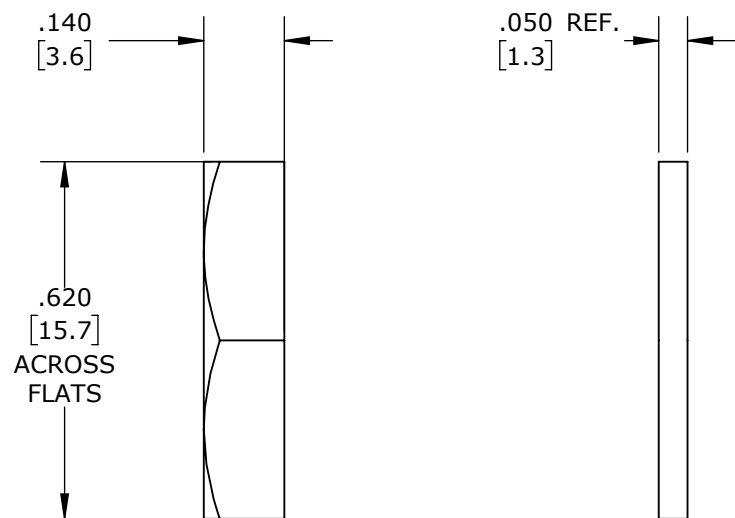
PART NO.	NO. OF PINS
W17281-2PG-P-300	2
W17281-3PG-P-300	3

NOTES:

1. ALL PARTS ARE BULK PACKED.
2. REFER TO DRAWING HPMCSTD FOR CONTACT PATTERNS.
3. ALL DIMENSIONS ARE REFERENCE ONLY IN INCHES [mm], WITHIN ±0.015 UNLESS OTHERWISE NOTED.

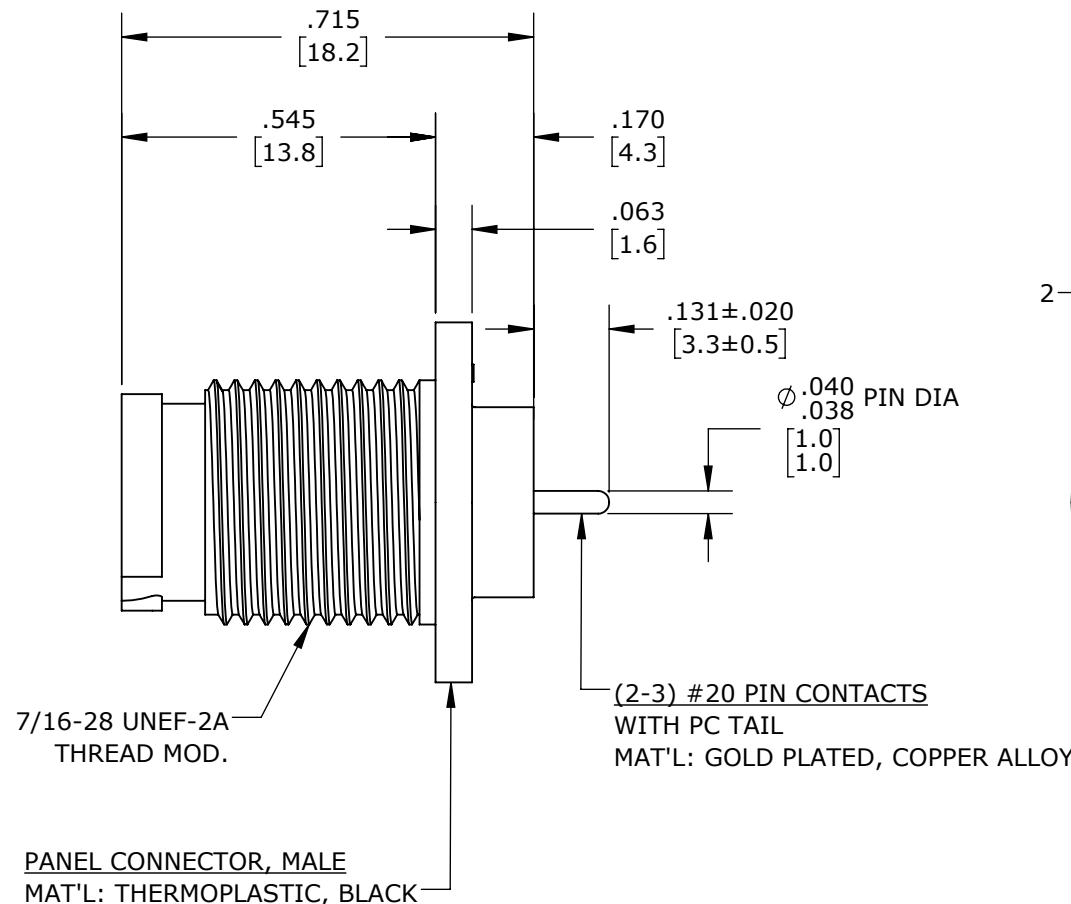


FACE VIEW
W17281-2PG-P-300

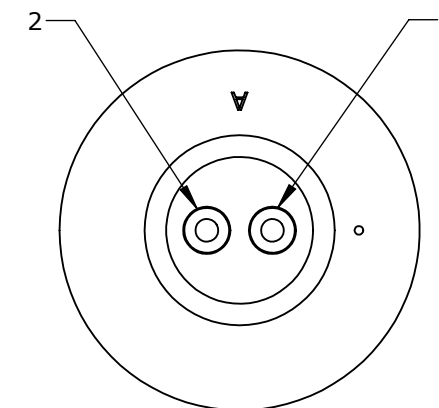


5/8 IN. HEX NUT
MAT'L: THERMOPLASTIC, BLACK

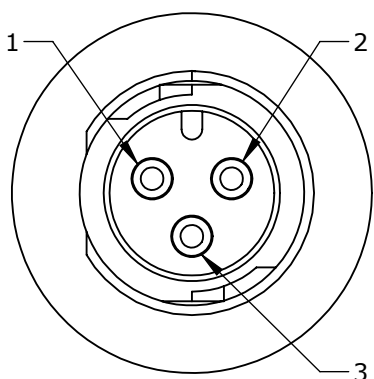
GASKET
MAT'L: ELASTOMER, BLACK



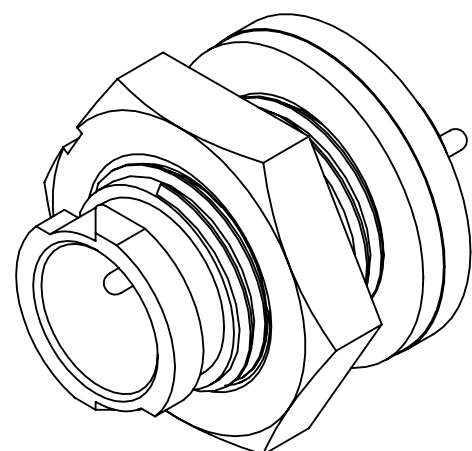
PANEL CONNECTOR, MALE
MAT'L: THERMOPLASTIC, BLACK



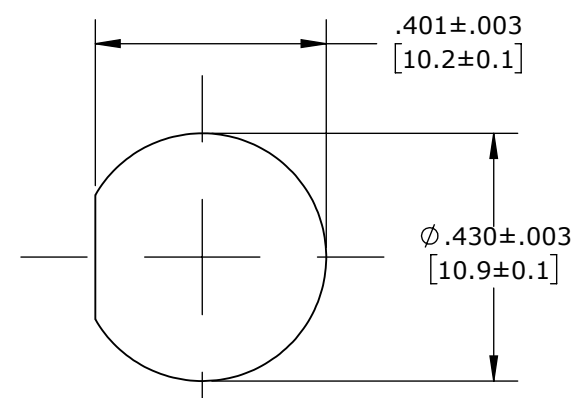
WIRE VIEW
W17281-2PG-P-300



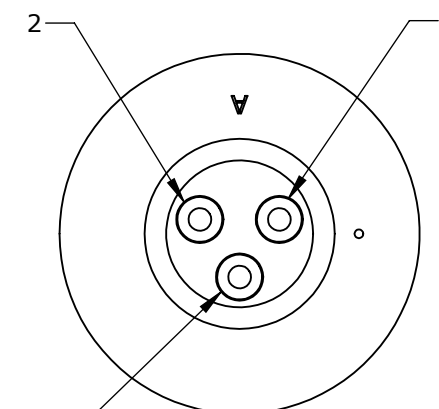
FACE VIEW
W17281-3PG-P-300



ASSEMBLED VIEW
FOR CUSTOMER REF. ONLY



RECOMMENDED PANEL CUTOUT




WIRE VIEW
W17281-3PG-P-300

PRELIMINARY

DIMENSIONS IN BRACKETS [] ARE METRIC

CUSTOMER APPROVAL	
THIS DOCUMENT CONTAINS CONFIDENTIAL INFORMATION PROPRIETARY TO CONXALL CORPORATION. ANY REPRODUCTION, DISCLOSURE, OR USE OF THIS DOCUMENT / INFORMATION IS EXPRESSLY PROHIBITED UNLESS AUTHORIZED IN WRITING BY CONXALL CORPORATION.	
APPROVED BY: _____	
DATE: _____	

RoHS COMPLIANT

0A	JGK	8/12/19	DRAWING CREATED FOR PDR #18004.	
REV.	INIT.	DATE	DESCRIPTION	
	JGK	8/12/19	ALL INFORMATION ILLUSTRATED IS THE PROPERTY OF CONXALL CORPORATION. UNAUTHORIZED DUPLICATION OR DISTRIBUTION OF THIS DOCUMENT IS PROHIBITED. ORG. DRAWN BY: JGK DATE: 8/12/19 CHECKED BY: _____ ALL UNITS ARE IN FEET, INCHES, FRACTION OF INCHES AND DECIMALS. UNLESS OTHERWISE SPECIFIED TOLERANCES: 3 PLACE DECIMALS ±.005 ANGLES ±1° FRACTIONS ±1/16 - CRITICAL CHARACTERISTIC FLAG PER SPEC. XXXX	
APPROVED BY:			 601 E. WILDWOOD VILLA PARK, IL 60181 TITLE: PANEL MOUNT ASSEMBLY (2-3) #20 PIN CONTACTS, PC TAIL INSTA-CLICK, MICRO-CON-X STANDARD PRODUCT CUSTOMER: _____	
SCALE	SIZE	SHEET		
NTS	B	1 OF 1	PART NUMBER: W17281-XPG-P-300	
FILE:	DIRECTORY:	PART NUMBER:	REV 0A	
W17281-XPG-P-300	SLW	W17281-XPG-P-300		

CUSTOMER PRINT

PART NUMBER: W17281-XPG-P-300

Mouser Electronics

Authorized Distributor

Click to View Pricing, Inventory, Delivery & Lifecycle Information:

[Switchcraft:](#)

[W17281-3PG-P-300](#) [W17281-3PG-P-3ES](#) [W17281-2PG-P-3ES](#) [W17281-2PG-P-300](#)