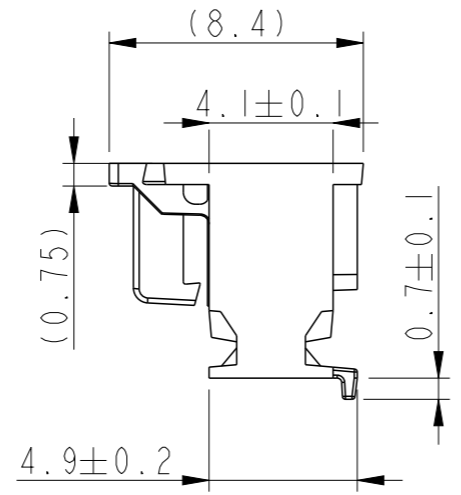
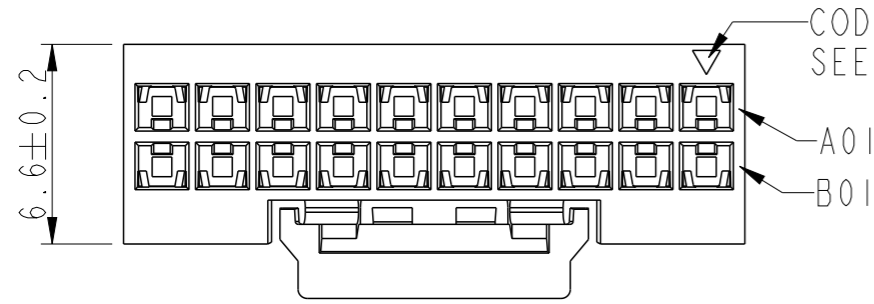


10118940-YXX-ZZZLF NOTE 6 & 8

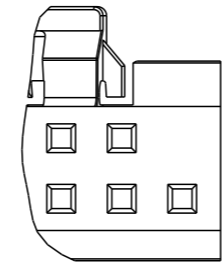
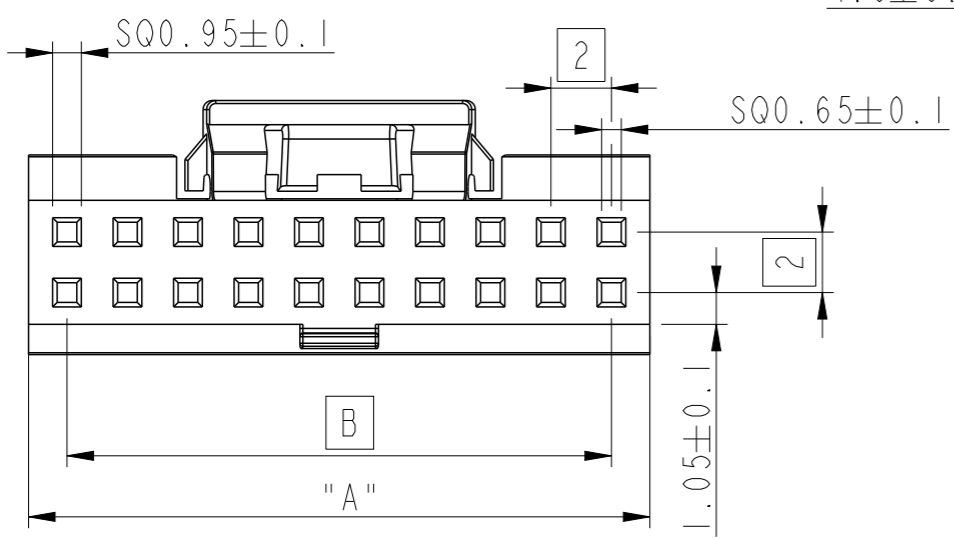
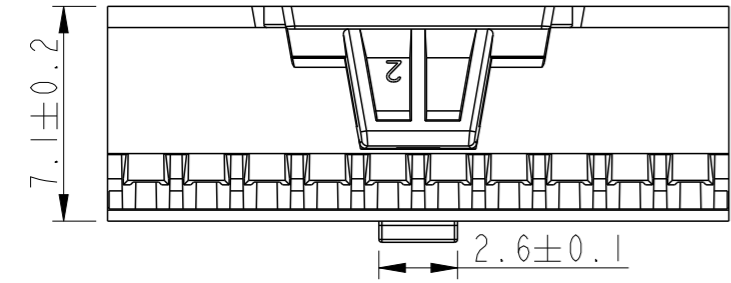
PART NUMBER	NBR OF POS	"A"±0.2	"B"	TOOLED
10118940-Y06LF	2x3	6.54	4.00	YES
10118940-Y08LF	2x4	8.54	6.00	YES
10118940-Y10LF	2x5	10.54	8.00	YES
10118940-Y12LF	2x6	12.54	10.00	YES
10118940-Y14LF	2x7	14.54	12.00	YES
10118940-Y16LF	2x8	16.54	14.00	YES
10118940-Y18LF	2x9	18.54	16.00	YES
10118940-Y20LF	2x10	20.54	18.00	YES
10118940-Y22LF	2x11	22.54	20.00	YES
10118940-Y24LF	2x12	24.54	22.00	YES
10118940-Y26LF	2x13	26.54	24.00	YES
10118940-Y28LF	2x14	28.54	26.00	YES
10118940-Y30LF	2x15	30.54	28.00	YES
10118940-Y32LF	2x16	32.54	30.00	YES
10118940-Y34LF	2x17	34.54	32.00	YES



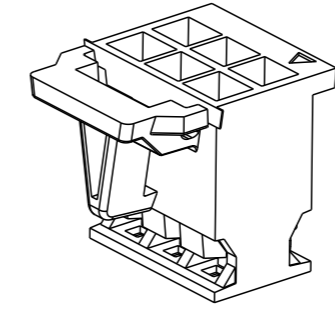
POLARIZATION CODE (OPTIONAL) SEE NOTE 9

TOTAL NB OF POSITIONS

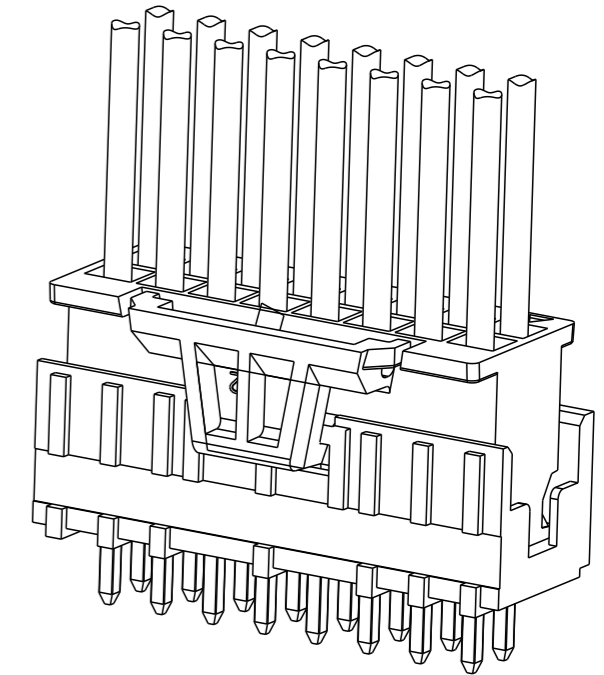
- 0 : COLOR BLACK
- 1 : COLOR CREAM
- 2 : HALOGEN FREE COLOR BLACK
- 3 : HALOGEN FREE COLOR NATURAL



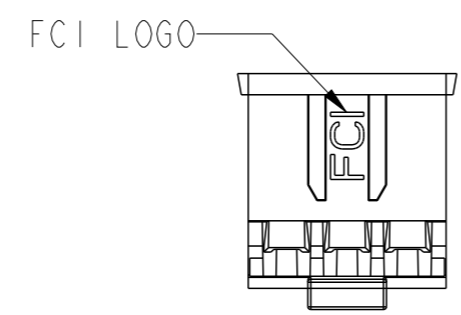
CAVITY FILLED EXAMPLE (...-BO1LF) SEE NOTE 7



DESIGN FOR 10118940-006LF & 10118940-008LF ONLY



APPLICATION SEE NOTE 2 & 3



FCI LOGO

- NOTES :
- MATERIAL : PA6.6 25% GLASSFILLED, UL-94V-0 MEETS GWT 900°C-960°C.
 - FOR USE WITH MINITEK CTW CONTACTS: AWG 26-30, SERIE 77138 AWG 22-24 SERIE 10044403
 - TO BE MATED WITH MINITEK HEADERS SERIES 98414 / 98416 / 98417 / 98424 AND 10075025.
 - PRODUCT SPECIFICATIONS : GS-12-415
 - PACKAGING BULK.
 - RoHS COMPLIANT, THE PRODUCT IS NOT INTENDED TO BE EXPOSED TO ANY SOLDER PROCESS.
 - THE TRIANGLE INDICATES THE FIRST POSITION
 - PRODUCT MEETS EUROPEAN UNION DIRECTIVES AND OTHERS COUNTRY REGULATIONS AS PER GS-022-008.
 - FOR POLARIZATION, NUMBER THE CAVITY NUMBER TO BE SPECIFIED. EXAMPLE: -B01 = CAVITY 01 UNFILLED. OMIT FROM PART NUMBER IS FEATURE NOT APPLICABLE.

spec ref	-	dr	Vernier, Benoi	2015/10/23	projection	mm	size	A3	scale	4:1
tolerance std	ISO 406 ISO 1101	eng	Laurent Mulin	2021/09/17			ecn no	ELX-F-42376-1	rel level	Released
TOLERANCES UNLESS OTHERWISE SPECIFIED		chr	-	appr						
surface	linear	0.X	±0.3			MINITEK CTW HOUSING	dwg no	10118940	rev	L
	angular	0.XX	±0.10	www.fci.com		ACTIVE LACH II , ADVANCED				
		0.XXX	±0.05							
		0°	±2°							