

PRODUCT NUMBER
73325-XXXLF

PLATING OPTION	
1=	GXT 0.76 μ m
3=	GOLD 0.76 μ m
5=	GOLD 1.27 μ m

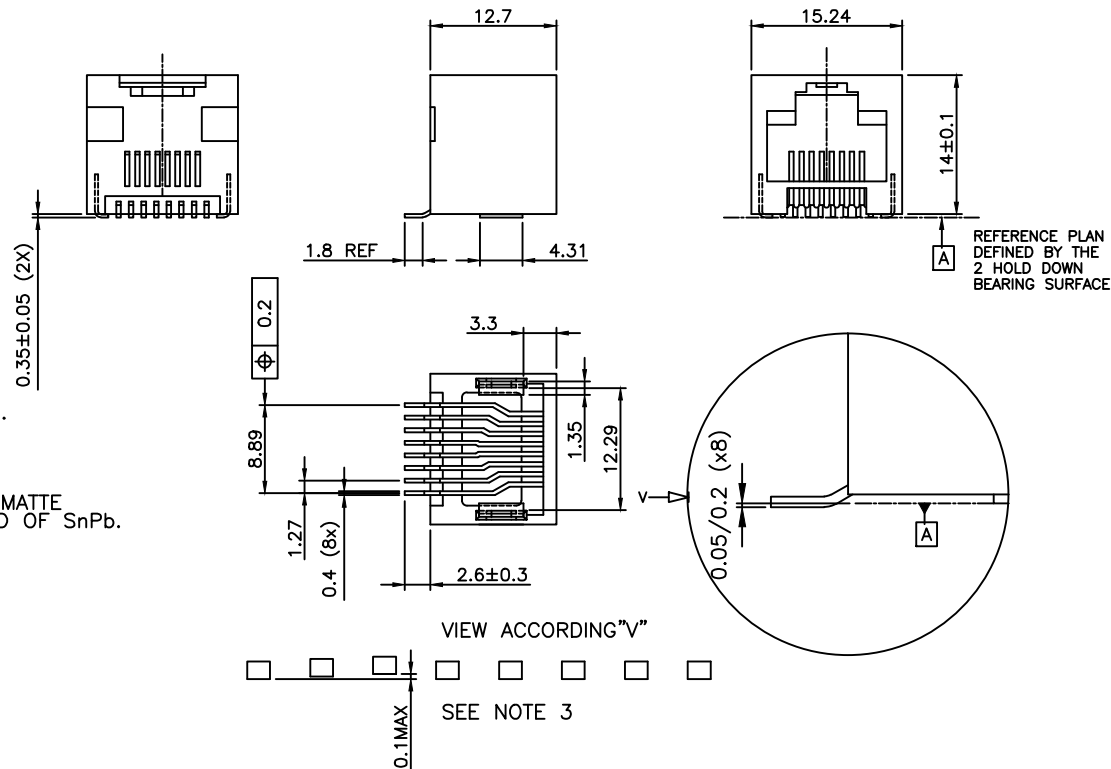
PACKAGE OPTION	
1=	TAPE ON REEL
2=	TUBE
3=	TAPE ON REEL IN PLASTIC BAG

TERMINAL LOADING	
1=	FULLY LOADED
2=	POS 1,2,7,8
3=	POS 3,4,5,6

WHEN NEEDED, SUFFIX LETTER "LF" INDICATES THE PRODUCT IS RoHS COMPATIBLE, SEE NOTE 4.

NOTES:

- 1 - MATERIAL: HOUSING: HIGH TEMP. PCT, COLOUR BLACK.
TERMINAL: PHOSPHOR BRONZE.
- 2 - PLATING: CONTACT AREA: SEE TABLE.
SOLDER TAIL : 90/10 SnPb 2 μ m MIN.
WHEN SUFFIX "LF" IS REQUIRED, 2 μ m MIN MATTE TIN OVER 1.27 MIN Ni IS SUPPLIED INSTEAD OF SnPb.
NO RAW EDGES EXCEPT SOLDER TAIL TIPS
- 3 - SOLDER TAILS COPLANARITY : 0.1 mm
- 4 - RoHS COMPATIBLE PRODUCT SPECIFICATIONS
 - a - PLATING:
 - "LF" MEANS THE PRODUCT IS LEAD-FREE, 2 μ m MINIMUM MATTE TIN OVER 1.27 μ m MINIMUM NICKEL UNDERPLATE.
 - b - MANUFACTURING PROCESS COMPATIBILITY
 - THE HOUSING WILL WITHSTAND EXPOSURE TO 245°C PEAK TEMPERATURE FOR 30 SECONDS MAX IN A CONVECTION, INFRA-RED OR VAPOR PHASE OR REFLOW OVEN.
 - c - LABELING:
 - MEETS PACKAGING SPECS AS PER GS-14-920
 - d - LEGAL STATEMENT: SEE GS-47-0004
- 5 - PACKAGING FOR OPTION 3 : EACH REEL IS WRAPPED INTO A PLASTIC BAG TO PROTECT FROM MOISTURE DURING STACKING TIME.



CUSTOMER COPY FOR REFERENCE ONLY

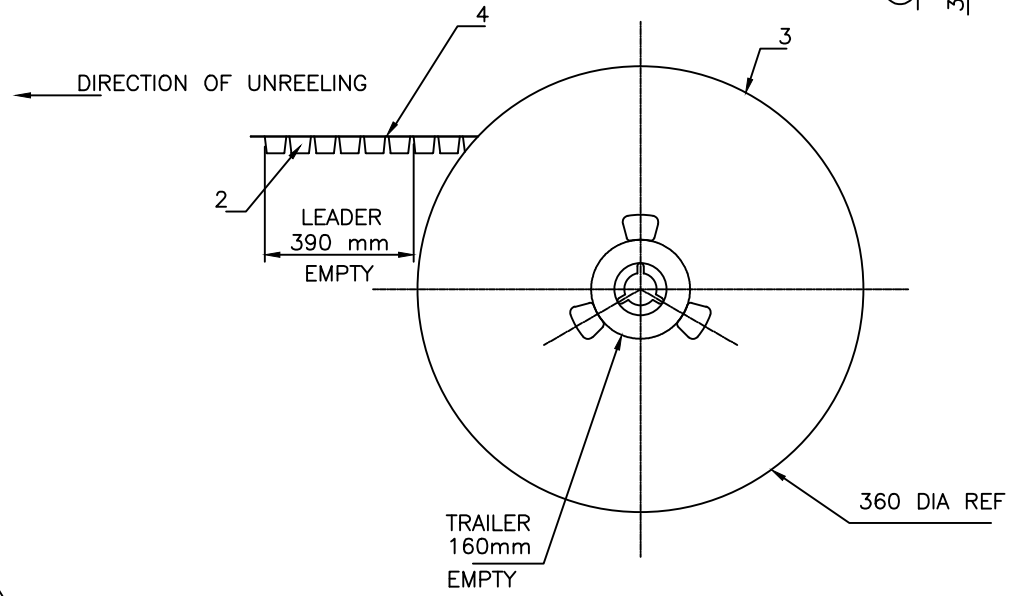
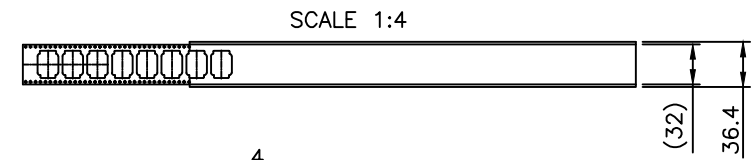
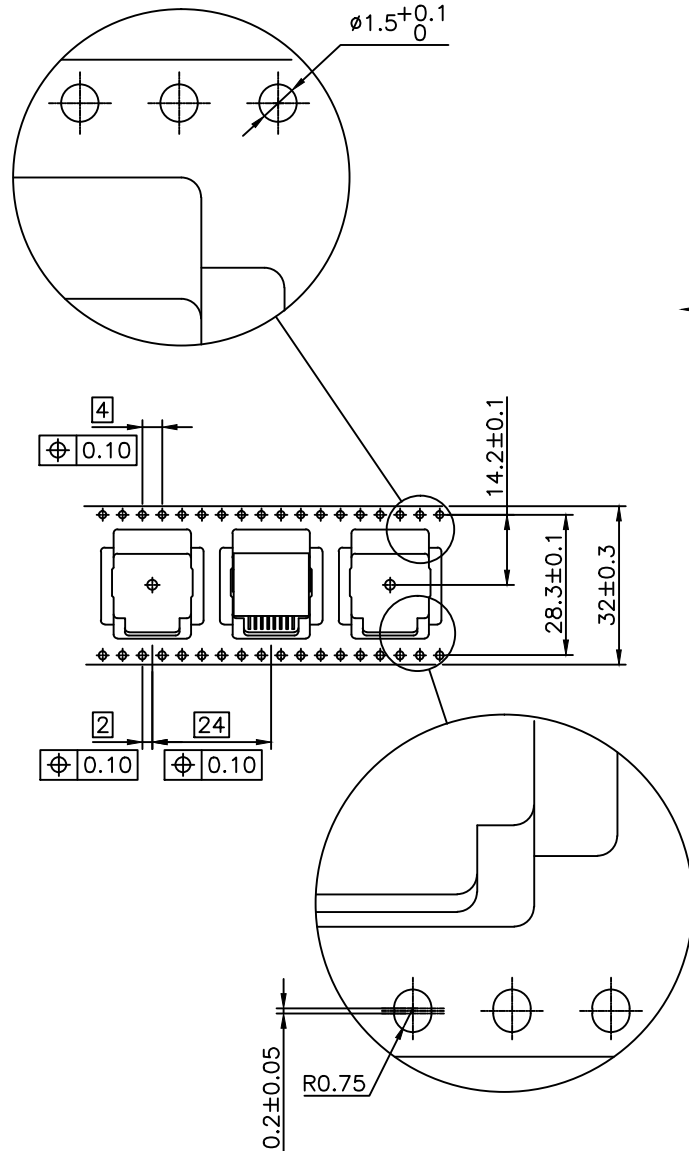
mat'l. code		surface		tolerance		projection		product family	
		ISO 1302		ISO 406 ISO 1101		mm		MOD JACK	
ltr		ecn no		dr		date		title	
H		F06-0240		DLE		06.07.18		SMT RA JACK	
J		F09-0070		LSA		09.07.23		8 POS INSIDE	
K		B-15798		JFA		13.09.09		scale 2:1	
L		F-21888		AMA		15.09.09		dwg no	
F		F04-0363		DLE		04.10.18		sheet 1 of 3	
G		F05-0247		DLE		05.09.12		73325	
sheet		revision		L		E		B	
index		sheet		1		2		3	



Copyright FCI

PRODUCT NUMBER
SEE SHEET 1

LTR	PART NAME	QTY
1	PRODUCT	230
2	TAPE	1
3	REEL	1
4	COVER TAPE	1



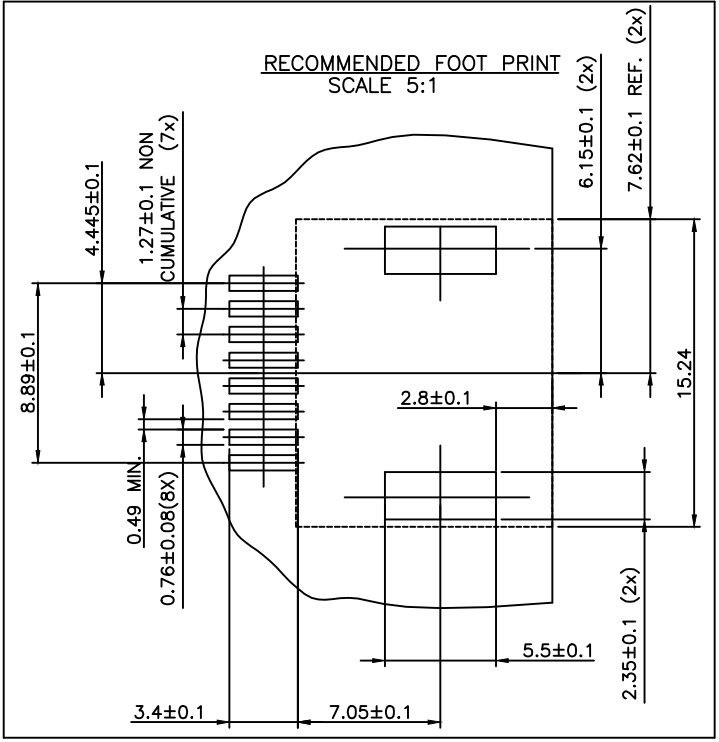
1- IN ACCORDANCE WITH EIA-481 AND IEC 296-3

CUSTOMER COPY FOR REFERENCE ONLY

mat'l. code		surface		tolerance		projection		product family	
		ISO 1302		ISO 406 ISO 1101		mm		MOD-JACK	
ltr		ecn no		dr		date		title	
D		F80620		DLE		98.11.26		SMT RA JACK	
E		F06-0240		DLE		06.07.18		8 POS. INSIDE	
sheet index		revision sheet		dr		D LEGRAND		06.07.18	
				engr		P NIZZI		06.07.18	
				chr		D LE		06.07.18	
				appd		P NZ		06.07.18	
				type		CUSTOMER Drawing			



Copyright FCJ



CUSTOMER COPY FOR REFERENCE ONLY

mat'l. code		surface		tolerance		projection		product family	
		ISO 1302		ISO 406 ISO 1101				MOD JACK	
ltr		ecn no		date		tolerances unless otherwise specified		title	
A		F04-0363		DLE 04.10.18		±0.13		SMT RA JACK	
B		F06-0240		DLE 06.07.18		mm		8 POS INSIDE	
				angles		linear		scale 2:1	
				±2'					
				dr		D LEGRAND 04.10.18		dwg no	
				engr		P NIZZI 04.10.18		sheet 3 of - size	
				chr		D LEGRAND 04.10.18		73325 A4	
				appd		P NZ 04.10.18		type	
								CUSTOMER Drawing	
sheet index		revision sheet							



Copyright FCJ

FCconnect.com

Mouser Electronics

Authorized Distributor

Click to View Pricing, Inventory, Delivery & Lifecycle Information:

[Amphenol:](#)

[73325-111LF](#) [73325-311LF](#)