



Certifications & Ratings

- UL1598: wire leads — UL listed; terminals — UL recognized
- NEMA 4X
- IP66/67
- RoHS compliant — w/6C exemption

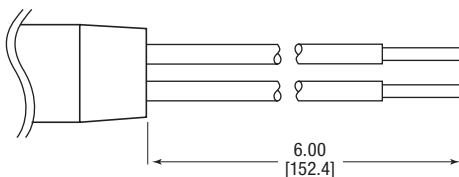
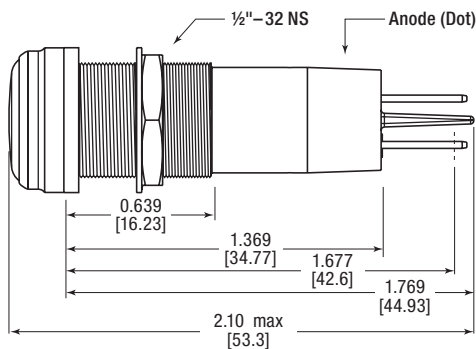
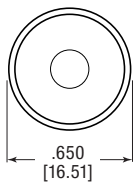
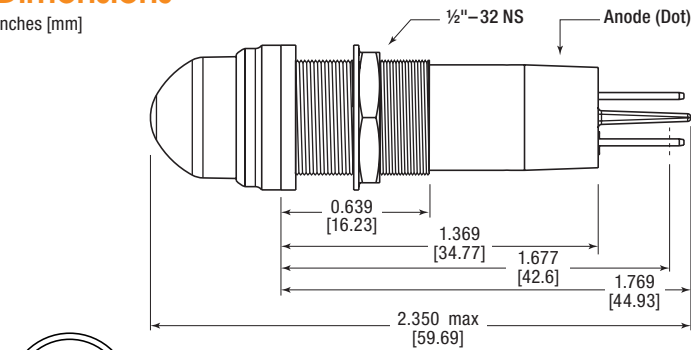
Application

The 656 Series LED Panel Mount Indicators are designed for a variety of applications such as:

- Safety Applications
- Instrument Panels
- Vending/Gaming
- Display Lighting
- Transportation — rail, bus, airline
- ... and many more!

Dimensions

inches [mm]



Mechanical information

- Mounting Hole Size:** 0.500" (12.7 mm)
Max Panel Thickness: 0.450" (11.43 mm)
Mounting Torque: 5 in-lbs

Specifications

- Voltage Options:** 5 to 125VDC and 125, 230VAC (bi-color 5, 12, 24 VDC) (no resistor required)
- Operating Temp:** -40 °C to +100 °C (-40 °F to +212 °F)
- Storage Temp:** -40 °C to +100 °C (-40 °F to +212 °F)
- Electrical Connection:** 110 Faston quick connect terminals or 6" wire leads
- Housing:** Brass—White or Black Nickel Plated
- Lens Material:** Transparent polycarbonate (UL 94V-0)
- Wire Leads:** 18 AWG
- Lock Washer:** Bronze—White or Black Nickel Plated
- Nut:** Brass—White or Black Nickel Plated

Ordering Information

656 Series

| Part Number Guide | | | | | | | | | | RoHS Compliant | | | | | |
|-------------------|---|---|---|-------------------|---|-----|---|--------------|---|----------------|---|--------------------|--|----------------|--|
| 6 | 5 | 6 | - | X | X | X | X | - | X | 0 | X | F | | | |
| | | | | Lens Style | | | | | | Voltage | | Termination | | | |
| | | | | Flat | | 1 | | | | | | 2 5VDC | | 3 Wires | |
| | | | | Domed | | 3 | | | | | | 3 12VDC | | 4 Blades | |
| | | | | | | | | Color | | | | | | Plating | |
| | | | | ○ White | | 0 0 | | | | | | 6 28VDC* | | 2 Black | |
| | | | | ● Red | | 1 0 | | | | | | 8 37.5VDC* | | 3 White | |
| | | | | ● Green | | 2 0 | | | | | | A 48VDC*†‡ | | | |
| | | | | ● Yellow | | 3 0 | | | | | | 7 72VDC* | | | |
| | | | | ● Orange | | 3 5 | | | | | | 5 120 VAC/DC*† | | | |
| | | | | ● Blue | | 4 0 | | | | | | 9 230VAC*† | | | |
| | | | | ● Red | | 1 2 | | | | | | | | | |
| | | | | ● Green | | 1 2 | | | | | | | | | |
| | | | | ● Yellow | | 3 2 | | | | | | | | | |
| | | | | ● Green | | 3 2 | | | | | | | | | |

* single color only
 † white nickel plating only
 ‡ wire leads only

656 Series — Bi-Color

Flat Lens

| Part #—with Wire Leads | | Part #—with Blade Terminals | | Color | Voltage (VDC) | Typ Current (mA) | Typical Intensity (mcd) |
|------------------------|----------------------|-----------------------------|----------------------|---------------------|---------------|------------------|-------------------------|
| White Nickel Plating | Black Nickel Plating | White Nickel Plating | Black Nickel Plating | | | | |
| 656-1122-303F | 656-1122-203F | 656-1122-304F | 656-1122-204F | ● Red ● Green | 5 | 11/8 | 330/910 |
| 656-1322-303F | 656-1322-203F | 656-1322-304F | 656-1322-204F | ● Yellow ● Green | 5 | 11/8 | 320/864 |
| 656-1123-303F | 656-1123-203F | 656-1123-304F | 656-1123-204F | ● Red ● Green | 12 | 10/9 | 330/910 |
| 656-1323-303F | 656-1323-203F | 656-1323-304F | 656-1323-204F | ● Yellow ● Green | 12 | 10/9 | 320/864 |
| 656-1124-303F | 656-1124-203F | 656-1124-304F | 656-1124-204F | ● Red ● Green | 24 | 11/10 | 330/910 |
| 656-1324-303F | 656-1324-203F | 656-1324-304F | 656-1324-204F | ● Yellow ● Green | 24 | 11/10 | 320/864 |

Domed Lens

| Part #—with Wire Leads | | Part #—with Blade Terminals | | Color | Voltage (VDC) | Typ Current (mA) | Typical Intensity (mcd) |
|------------------------|----------------------|-----------------------------|----------------------|---------------------|---------------|------------------|-------------------------|
| White Nickel Plating | Black Nickel Plating | White Nickel Plating | Black Nickel Plating | | | | |
| 656-3122-303F | 656-3122-203F | 656-3122-304F | 656-3122-204F | ● Red ● Green | 5 | 11/8 | 490/1340 |
| 656-3322-303F | 656-3322-203F | 656-3322-304F | 656-3322-204F | ● Yellow ● Green | 5 | 11/8 | 480/430 |
| 656-3123-303F | 656-3123-203F | 656-3123-304F | 656-3123-204F | ● Red ● Green | 12 | 10/9 | 490/1340 |
| 656-3323-303F | 656-3323-203F | 656-3323-304F | 656-3323-204F | ● Yellow ● Green | 12 | 10/9 | 480/430 |
| 656-3124-303F | 656-3124-203F | 656-3124-304F | 656-3124-204F | ● Red ● Green | 24 | 11/10 | 490/1340 |
| 656-3324-303F | 656-3324-203F | 656-3324-304F | 656-3324-204F | ● Yellow ● Green | 24 | 11/10 | 480/430 |

Flat Lens

Ordering Information

656 Series—Single Color

| Part #—with Wire Leads | | Part #—with Blade Terminals | | Color | Voltage | Typ Current (mA) | Typical Intensity (mcd) |
|------------------------|----------------------|-----------------------------|----------------------|--------|---------------|------------------|-------------------------|
| White Nickel Plating | Black Nickel Plating | White Nickel Plating | Black Nickel Plating | | | | |
| 656-1002-303F | 656-1002-203F | 656-1002-304F | 656-1002-204F | White | 5 (VDC) | 15 | 1510 |
| 656-1102-303F | 656-1102-203F | 656-1102-304F | 656-1102-204F | Red | | 16 | 1150 |
| 656-1202-303F | 656-1202-203F | 656-1202-304F | 656-1202-204F | Green | | 15 | 1600 |
| 656-1302-303F | 656-1302-203F | 656-1302-304F | 656-1302-204F | Yellow | | 16 | 990 |
| 656-1352-303F | 656-1352-203F | 656-1352-304F | 656-1352-204F | Orange | | 16 | 1800 |
| 656-1402-303F | 656-1402-203F | 656-1402-304F | 656-1402-204F | Blue | | 15 | 237 |
| 656-1003-303F | 656-1003-203F | 656-1003-304F | 656-1003-204F | White | 12 (VDC) | 18 | 1310 |
| 656-1103-303F | 656-1103-203F | 656-1103-304F | 656-1103-204F | Red | | 18 | 1100 |
| 656-1203-303F | 656-1203-203F | 656-1203-304F | 656-1203-204F | Green | | 16 | 1140 |
| 656-1303-303F | 656-1303-203F | 656-1303-304F | 656-1303-204F | Yellow | | 18 | 880 |
| 656-1353-303F | 656-1353-203F | 656-1353-304F | 656-1353-204F | Orange | | 18 | 1800 |
| 656-1403-303F | 656-1403-203F | 656-1403-304F | 656-1403-204F | Blue | | 16 | 290 |
| 656-1004-303F | 656-1004-203F | 656-1004-304F | 656-1004-204F | White | 24 (VDC) | 20 | 1310 |
| 656-1104-303F | 656-1104-203F | 656-1104-304F | 656-1104-204F | Red | | | 1100 |
| 656-1204-303F | 656-1204-203F | 656-1204-304F | 656-1204-204F | Green | | | 1140 |
| 656-1304-303F | 656-1304-203F | 656-1304-304F | 656-1304-204F | Yellow | | | 880 |
| 656-1354-303F | 656-1354-203F | 656-1354-304F | 656-1354-204F | Orange | | | 1800 |
| 656-1404-303F | 656-1404-203F | 656-1404-304F | 656-1404-204F | Blue | | | 290 |
| 656-1006-303F | 656-1006-203F | 656-1006-304F | 656-1006-204F | White | 28 (VDC) | 19 | 1310 |
| 656-1106-303F | 656-1106-203F | 656-1106-304F | 656-1106-204F | Red | | 19 | 1100 |
| 656-1206-303F | 656-1206-203F | 656-1206-304F | 656-1206-204F | Green | | 18 | 1140 |
| 656-1306-303F | 656-1306-203F | 656-1306-304F | 656-1306-204F | Yellow | | 19 | 880 |
| 656-1356-303F | 656-1356-203F | 656-1356-304F | 656-1356-204F | Orange | | 19 | 1800 |
| 656-1406-303F | 656-1406-203F | 656-1406-304F | 656-1406-204F | Blue | | 18 | 290 |
| 656-1008-303F | 656-1008-203F | 656-1008-304F | 656-1008-204F | White | 37.5 (VDC) | 8.5 | 400 |
| 656-1108-303F | 656-1108-203F | 656-1108-304F | 656-1108-204F | Red | | | 230 |
| 656-1208-303F | 656-1208-203F | 656-1208-304F | 656-1208-204F | Green | | | 450 |
| 656-1308-303F | 656-1308-203F | 656-1308-304F | 656-1308-204F | Yellow | | | 190 |
| 656-1358-303F | 656-1358-203F | 656-1358-304F | 656-1358-204F | Orange | | | 835 |
| 656-1408-303F | 656-1408-203F | 656-1408-304F | 656-1408-204F | Blue | | | 100 |
| 656-110A-303F | — | 656-110A-304F | — | Red | 48 (VDC) | 10 | 230 |
| 656-120A-303F | — | 656-120A-304F | — | Green | | | 450 |
| 656-130A-303F | — | 656-130A-304F | — | Yellow | | | 190 |
| 656-1007-303F | 656-1007-203F | 656-1007-304F | 656-1007-204F | White | 72 (VDC) | 8.5 | 400 |
| 656-1107-303F | 656-1107-203F | 656-1107-304F | 656-1107-204F | Red | | | 230 |
| 656-1207-303F | 656-1207-203F | 656-1207-304F | 656-1207-204F | Green | | | 450 |
| 656-1307-303F | 656-1307-203F | 656-1307-304F | 656-1307-204F | Yellow | | | 190 |
| 656-1357-303F | 656-1357-203F | 656-1357-304F | 656-1357-204F | Orange | | | 835 |
| 656-1407-303F | 656-1407-203F | 656-1407-304F | 656-1407-204F | Blue | | | 100 |
| 656-1005-303F | — | 656-1005-304F | — | White | 120 (VAC/VDC) | 5 | 400 |
| 656-1105-303F | — | 656-1105-304F | — | Red | | | 230 |
| 656-1205-303F | — | 656-1205-304F | — | Green | | | 450 |
| 656-1305-303F | — | 656-1305-304F | — | Yellow | | | 190 |
| 656-1355-303F | — | 656-1355-304F | — | Orange | | | 260 |
| 656-1405-303F | — | 656-1405-304F | — | Blue | | | 100 |
| 656-1009-303F | — | 656-1009-304F | — | White | 230 (VAC) | 3 | 400 |
| 656-1109-303F | — | 656-1109-304F | — | Red | | | 230 |
| 656-1209-303F | — | 656-1209-304F | — | Green | | | 450 |
| 656-1309-303F | — | 656-1309-304F | — | Yellow | | | 190 |
| 656-1359-303F | — | 656-1359-304F | — | Orange | | | 260 |
| 656-1409-303F | — | 656-1409-304F | — | Blue | | | 100 |

Domed Lens

| Part #—with Wire Leads | | Part #—with Blade Terminals | | Color | Voltage | Typ Current (mA) | Typical Intensity (mcd) |
|------------------------|----------------------|-----------------------------|----------------------|--------|---------------|------------------|-------------------------|
| White Nickel Plating | Black Nickel Plating | White Nickel Plating | Black Nickel Plating | | | | |
| 656-3002-303F | 656-3002-203F | 656-3002-304F | 656-3002-204F | White | 5 (VDC) | 15 | 3080 |
| 656-3102-303F | 656-3102-203F | 656-3102-304F | 656-3102-204F | Red | | 16 | 2200 |
| 656-3202-303F | 656-3202-203F | 656-3202-304F | 656-3202-204F | Green | | 15 | 2880 |
| 656-3302-303F | 656-3302-203F | 656-3302-304F | 656-3302-204F | Yellow | | 16 | 1960 |
| 656-3352-303F | 656-3352-203F | 656-3352-304F | 656-3352-204F | Orange | | 16 | 4400 |
| 656-3402-303F | 656-3402-203F | 656-3402-304F | 656-3402-204F | Blue | | 15 | 600 |
| 656-3003-303F | 656-3003-203F | 656-3003-304F | 656-3003-204F | White | 12 (VDC) | 18 | 2340 |
| 656-3103-303F | 656-3103-203F | 656-3103-304F | 656-3103-204F | Red | | 18 | 2000 |
| 656-3203-303F | 656-3203-203F | 656-3203-304F | 656-3203-204F | Green | | 16 | 2110 |
| 656-3303-303F | 656-3303-203F | 656-3304-304F | 656-3303-204F | Yellow | | 18 | 1080 |
| 656-3353-303F | 656-3353-203F | 656-3353-304F | 656-3353-204F | Orange | | 18 | 4400 |
| 656-3403-303F | 656-3403-203F | 656-3403-304F | 656-3403-204F | Blue | | 16 | 640 |
| 656-3004-303F | 656-3004-203F | 656-3004-304F | 656-3004-204F | White | 24 (VDC) | 20 | 2340 |
| 656-3104-303F | 656-3104-203F | 656-3104-304F | 656-3104-204F | Red | | | 2000 |
| 656-3204-303F | 656-3204-203F | 656-3204-304F | 656-3204-204F | Green | | | 2110 |
| 656-3304-303F | 656-3304-203F | 656-3304-304F | 656-3304-204F | Yellow | | | 1080 |
| 656-3354-303F | 656-3354-203F | 656-3354-304F | 656-3354-204F | Orange | | | 4400 |
| 656-3404-303F | 656-3404-203F | 656-3404-304F | 656-3404-204F | Blue | | | 640 |
| 656-3006-303F | 656-3006-203F | 656-3006-304F | 656-3006-204F | White | 28 (VDC) | 19 | 2340 |
| 656-3106-303F | 656-3106-203F | 656-3106-304F | 656-3106-204F | Red | | 19 | 2000 |
| 656-3206-303F | 656-3206-203F | 656-3206-304F | 656-3206-204F | Green | | 18 | 2110 |
| 656-3306-303F | 656-3306-203F | 656-3306-304F | 656-3306-204F | Yellow | | 19 | 1080 |
| 656-3356-303F | 656-3356-203F | 656-3356-304F | 656-3356-204F | Orange | | 19 | 4400 |
| 656-3406-303F | 656-3406-203F | 656-3406-304F | 656-3406-204F | Blue | | 18 | 640 |
| 656-3008-303F | 656-3008-203F | 656-3008-304F | 656-3008-204F | White | 37.5 (VDC) | | 660 |
| 656-3108-303F | 656-3108-203F | 656-3108-304F | 656-3108-204F | Red | | | 410 |
| 656-3208-303F | 656-3208-203F | 656-3208-304F | 656-3208-204F | Green | | | 800 |
| 656-3308-303F | 656-3308-203F | 656-3308-304F | 656-3308-204F | Yellow | | | 390 |
| 656-3358-303F | 656-3358-203F | 656-3358-304F | 656-3358-204F | Orange | | | 2000 |
| 656-3408-303F | 656-3408-203F | 656-3408-304F | 656-3408-204F | Blue | | | 220 |
| 656-310A-303F | — | 656-310A-304F | — | Red | 48 (VDC) | 10 | 410 |
| 656-320A-303F | — | 656-320A-304F | — | Green | | | 800 |
| 656-330A-303F | — | 656-330A-304F | — | Yellow | | | 390 |
| 656-3007-303F | 656-3007-203F | 656-3007-304F | 656-3007-204F | White | 72 (VDC) | | 660 |
| 656-3107-303F | 656-3107-203F | 656-3107-304F | 656-3107-204F | Red | | | 410 |
| 656-3207-303F | 656-3207-203F | 656-3207-304F | 656-3207-204F | Green | | | 800 |
| 656-3307-303F | 656-3307-203F | 656-3307-304F | 656-3307-204F | Yellow | | | 390 |
| 656-3357-303F | 656-3357-203F | 656-3357-304F | 656-3357-204F | Orange | | | 2000 |
| 656-3407-303F | 656-3407-203F | 656-3407-304F | 656-3407-204F | Blue | | | 220 |
| 656-3005-303F | — | 656-3005-304F | — | White | 120 (VAC/VDC) | 5 | 660 |
| 656-3105-303F | — | 656-3105-304F | — | Red | | | 410 |
| 656-3205-303F | — | 656-3205-304F | — | Green | | | 800 |
| 656-3305-303F | — | 656-3305-304F | — | Yellow | | | 390 |
| 656-3355-303F | — | 656-3355-304F | — | Orange | | | 610 |
| 656-3405-303F | — | 656-3405-304F | — | Blue | | | 220 |
| 656-3009-303F | — | 656-3009-304F | — | White | 230 (VAC) | 3 | 660 |
| 656-3109-303F | — | 656-3109-304F | — | Red | | | 410 |
| 656-3209-303F | — | 656-3209-304F | — | Green | | | 800 |
| 656-3309-303F | — | 656-3309-304F | — | Yellow | | | 390 |
| 656-3359-303F | — | 656-3359-304F | — | Orange | | | 610 |
| 656-3409-303F | — | 656-3409-304F | — | Blue | | | 220 |

Dialight reserves the right to make changes at any time in order to supply the best product possible. The most current version of this document will always be available at: www.dialightsignalsandcomponents.com

Warranty Statement: Except for the warranty expressly provided for [herein/above/below], Dialight disclaims any and all other warranties, express or implied, including, without limitation, any warranties of merchantability, fitness for a particular purpose, title, and noninfringement.

Mouser Electronics

Authorized Distributor

Click to View Pricing, Inventory, Delivery & Lifecycle Information:

[Dialight:](#)

[6561102303F](#)