



REVERSE BAYONET SINGLE-POLE CONNECTORS

VG96929

**HIGH-CURRENT, LOW-VOLTAGE POWER CONNECTORS
FOR RUGGEDIZED MILITARY AND INDUSTRIAL APPLICATIONS**

FEBRUARY 2022

High Voltage Electrical Power Distribution



From 0 to 60 in 3.9 Seconds

High voltage electrical power distribution is a critical component of the 100% electric Tesla Roadster.

The reliable distribution of electrical energy from the car's lithium-ion energy storage system to the vehicle's motor, electronic control module, HVAC system, transmission and regenerative braking unit depends on a high-performance wiring system made up of high-temperature

shielded conduit and ruggedized reverse-bayonet power connectors—all made by Glenair.

Glenair is on the forefront of innovative efforts to advance the reliability and performance of electric vehicles. Glenair power connectors, cables and conduit are deployed in high-voltage power management and distribution applications for systems as demanding as military vehicles — and as fast as the Tesla Roadster.



Worldwide Sales: Glenair Italia S.p.A. - Bologna Headquarter, Tel: +39-51-782811 Email: sales@glenair.it
Italy Sales: Glenair Italia S.p.A. - Milan Sales Office, Tel: +39-02-91082121 Email: sales@glenair.it
North American Sales: Glenair Connecticut, Tel: 203-741-1115 Email: sales@glenair.com

www.glenair.com - www.glenair.it

VG96929
Interactive Catalogue Section Index
Table of Contents



VG96929
Introduction

Technical Characteristics

from page A-1 to page A-10

A

VG96929 Connector Series

from pages B-1 to page B-12

B

IGE Connector Series

from page C-1 to page C-24

C

ACCESSORIES

from page D-1 to page D-7

D

**Glenair Military
and Mass Transit Signal Connectors**

from page E-1 to page E-3

E

Part Number Index

page F-1

F



VG96929 Single Pole Power Connectors Product Line Overview

A

The Perfect High Current/Low Voltage Single Pole Connector for Industrial Equipment and Military Vehicle Applications

Harsh Application Environments

Glenair's VG96929 Reverse Bayonet Unipolar Connectors are used for the transmission of high currents with low voltage such as required by applications on military vehicles and on various industrial equipment. Derived from the VG95234 Series Connectors and sharing similar mating dimensions and mechanical characteristics, VG96929 connectors feature unique insulating inserts in two parts (front and rear) that are retained inside the shell by a dynamic spring. Multiple exterior and interior connector o-rings create a watertight seal (1 bar) and the bayonet coupling system helps to prevent accidental unmating caused by vibration.

Rugged Materials

Glenair's VG96929 connector series is fabricated in aluminum alloy with surface plating IAW QQP-416 Type II Class 3. Easy-to-terminate crimp contacts are made from silver plated copper alloy. The standard insert material is PTFE which provides durable performance in temperature ranges from -55° to +125°C.

Intermateability

Glenair's VG96929 Reverse Bayonet Power Connector is a version of the familiar threaded coupling MIL-DTL-5015. Glenair's VG96929 Connector is interchangeable and intermateable with the wide range of industry-standard unipolar reverse bayonet connectors designed around MIL-DTL-5015 and/or qualified to VG96929.

- **Fast, Easy Bayonet Coupling: 1/4 Turn**
- **Environmental in Mated Condition to 1 Bar**
- **Plug, In-Line, Wall and Box Mount Receptacles**
- **High Shock and Vibration Resistance**
- **Contact Sizes from 25 to 240 sq mm**
- **Audible and Visual Coupling Indicators**
- **Keyed Polarization**
- **Crimp Sleeve/Set Screw Terminations**
- **Intermateable with all VG96929 Type Reverse Bayonet Connectors**



VG96929 Single Pole Power Connectors Applications



VG96929

Glenair's qualified VG96929 bayonet-lock connector series is based on the VG95234 standard, and shares the same basic shell configuration and shell dimensions. The VG96929 3-point bayonet coupling mechanism provides easy mating and positive locking resistance to vibration, shock, and other connector decoupling forces in high-current, low-voltage applications such as military vehicles, engines and battery chargers.

Component Materials

VG96929 connector shells are available in aluminum alloy and are supplied standard with an olive green cadmium finish IAW QQ-P-416. Supplied crimp contacts are silver plated copper alloy. Insulators are high insulation PTFE: -55°C to +125°C. Gaskets and O-rings are chemical resistant Viton®.

EMI and Environmental Applications

VG96929 Series connectors are perfectly suited for use in rugged applications where EEC compliance directives for electromagnetic compatibility is required. A complete range of EMI shield termination accessories and plug grounding fingers are available for both overall as well as individual wire shields.

Equipped with the appropriate backshells and environmental sealing, the connectors are ready to serve in applications that require resistance to both water and caustic chemicals such as oils and fuels.

Connector Accessories

Many of the VG96929 connectors come already paired with selected backshell accessories for most application requirements. See the accessory descriptions on the opposite page for more information. A full range of additional connector accessories including dust caps and EMI gaskets are also available.

Please contact the factory for additional information or any of our worldwide sales and engineering facilities. Glenair's websites www.glenair.it and www.glenair.com also have complete information on these products, as well as other ruggedized power and signal connectors.





VG96929 Single Pole Power Connectors Available Components

VG96929 offers a simplified ordering and part number format that combines the standard connector shell styles with the most popular backshells and connector accessories. Available connector shell styles, backshell types and accessories include:

A

VG96929 Connector Shell Styles

- Box Mount Receptacle with Accessory Threads
- Wall Mount Receptacle with Accessory Threads
- Through Bulkhead Receptacle
- Straight and 90° Plug Connector with Accessory Threads
- In-Line Receptacle

VG96929 Integrated Backshell Types

Type B1, G and B-03: Shrink Boot Adapter

Types E, F and B-14: Backshell for the termination of EMI shielding and/or shrink boot.

VG96929 Accessories

- Plug and receptacle protective covers with various lanyard styles for panel attachment
- Protective plastic covers
- Conductive and non-conductive gaskets for panel mount connectors
- Dummy stowage receptacles

VG96929/Series IGE Single Pole Power Connectors Cross Reference



The Glenair Series IGE connector family is the company's commercial equivalent for the VG qualified products presented in this catalog. Series IGE offers the flexibility of a broader range of connector and backshell assemblies as well as additional plating options and other variations.

Customers are advised to select VG96929 versions of this reverse-bayonet connector series when qualification to VG96929 is a requirement. For non-VG applications, customers will appreciate the broader range of options available in the Series IGE.



CONNECTOR CROSS REFERENCE

VG96929 Connectors	Glenair Series IGE	* Glenair Series IGE Marine Bronze
VG96929 A1	IGE 2 E ...B-04	IGE 2 E ...B-04 MB
VG96929 A2	IGE 2 E ...B-16	IGE 2 E ...B-16 MB
VG96929 B1	IGE 0 E ...B-03	IGE 0 E ...B-03 MB
VG96929-C1**	IGE 9 E ...X-B	IGE 9 E ...X-B MB
VG96929-C2**	IGE 9 EFP ...X-B	IGE 9 EFP ...X-B MB
VG96929 E	IGE 8 E ...B-14	IGE 8 E ...B-14 MB
VG96929 F	IGE 6 E ...B-14	IGE 6 E ...B-14 MB
VG96929 G	IGE 6 E ...B-03	IGE 6 E ...B-03 MB
N.A.	IGE 1 E ...B-03	IGE 1 E ...B-03 MB
N.A.	IGE 1 E ...B-14	IGE 1 E ...B-14 MB
N.A.	IGE 2 EFP ...B-04	IGE 2 EFP ...B-04 MB
N.A.	IGE 2 EFF ...B-16	IGE 2 EFF ...B-16 MB
N.A.	IGE 0 E ...B-ZL	IGE 0 E ...B-ZL MB
N.A.	IGE 6 E ...B-16	IGE 6 E ...B-16 MB
N.A.	IGE 7 E ...B-16	IGE 7 E ...B-16 MB



VG96929 QUALIFIED PLATING

Standard Aluminum/ Cadmium Olive Drab	Aluminum/ Zn-Sn	Marine Bronze/ Unplated
Omit	J	B

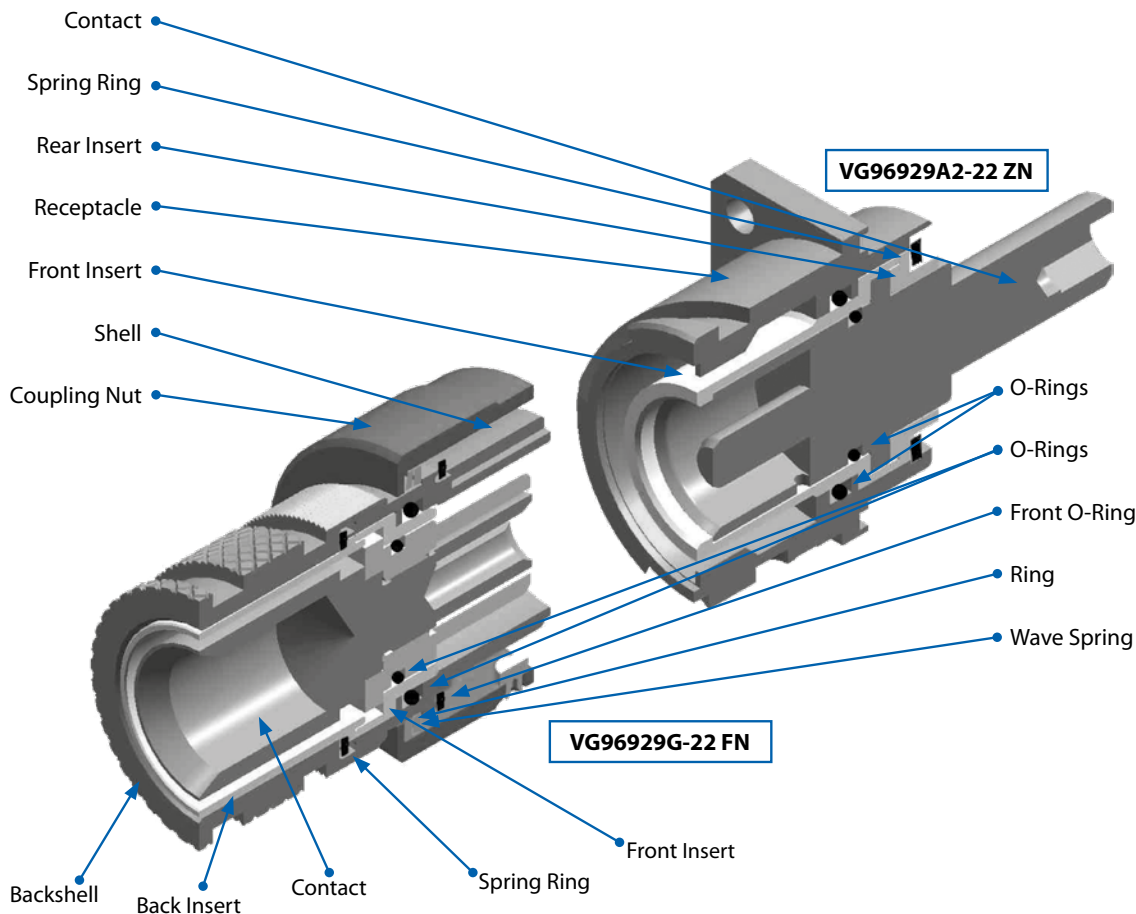
* Check on new **Glenair Seacrow Connector Series** catalogue to find all IGE-MB Part Numbers www.glenair.com/catalog_library

**Style C1 and C2 connectors have been removed from the VG96929 standard, they remain available with equivalent part numbers only.

IGE PLATING PERFORMANCE

Property	RoHS					Not RoHS	
	Alum/Black	Alum/Black Zn-Ni	Alum/Electroless Nickel	Marine Bronze/Unplated	SST/Passivate	Alum/Olive Drab Zn-Ni	Alum/Cadmium Olive Drab
	F6	F7	F11	MB	FK	F8	G3
Temperature Range	-55°C + 125°C	-55°C + 175°C	-55°C + 125°C	-55°C + 200°C	-55°C + 200°C	-55°C + 175°C	-55°C + 125°C
Salt Spray Hours	500	500	48	1000	48	500	500
Electical Conductivity	NO	Very Good	Very Good	Very Good	Fair	Very Good	Very Good

A



Technical Characteristics	
Insulating Resistance	5000 MΩ min
Water Resistance	1 Bar
Vibration Resistance	200 m/s ² 10 to 2000 Hz
Temperature Range	-55°C to 150°C
Mechanical Life	500 Mating Cycles

COUPLING TORQUE (VG95319-2)

Shell Size	Opening and Closing Max	Opening Min
16	5.5 Nm	0.5 Nm
18	8.0 Nm	0.6 Nm
22	11.0 Nm	0.8 Nm
28	17.0 Nm	0.9 Nm
32	19.0 Nm	1.0 Nm

VG96929
Single Pole Power Connectors
Technical Data



CONTACT RETENTION (VG95319-2)

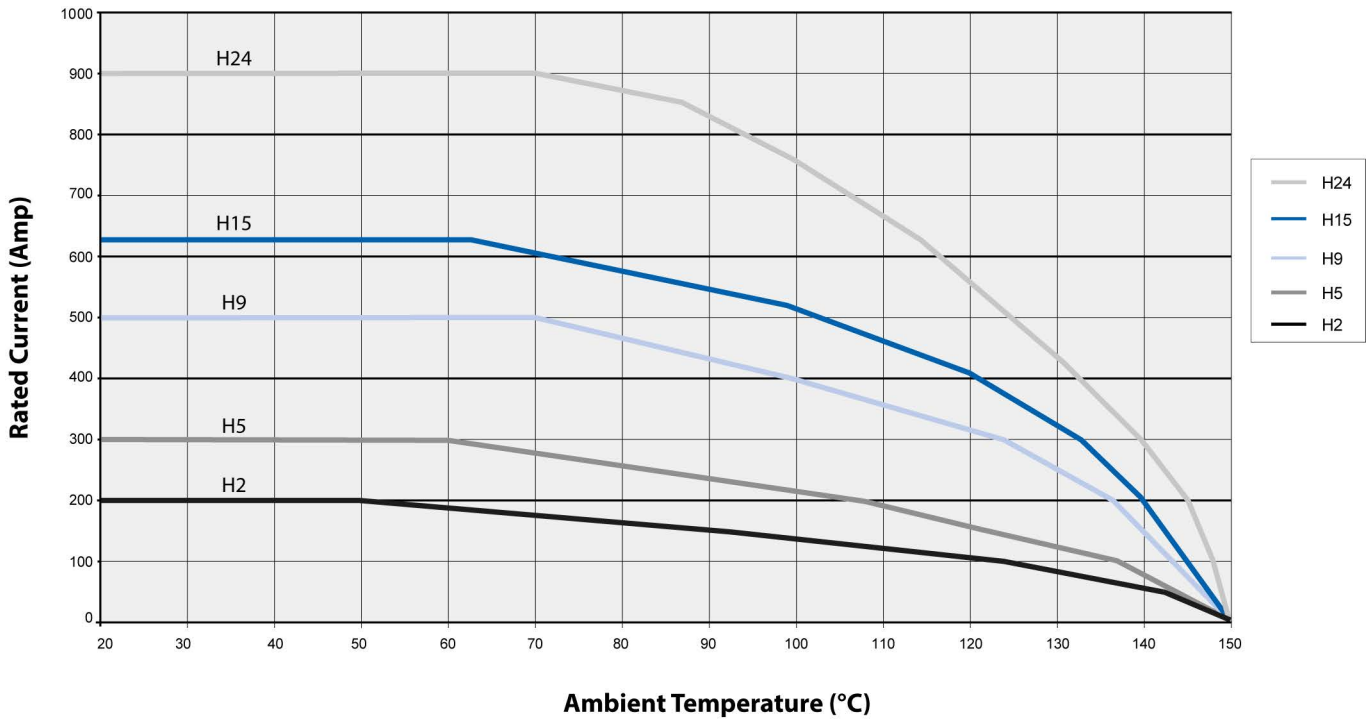
Contact Size	Test Force Min
H2	100 N
H5	120 N
H9	140 N
H15	160 N
H24	200 N

VOLTAGE

Test Voltage	1050 Vac
Working Voltage	350 Vac
According to MIL-STD-1344	

CONTACTS

Contact Size	Shell Size	Wire Size	Current Rating at 125°C	Max Short-Duration Current 0.5÷1s	Maximum Contact Resistance
H2	16	25 mm ²	See graphic below	750 A	0.60 mΩ
H5	18	50 mm ²		1.000 A	0.30 mΩ
H9	22	95 mm ²		2.000 A	0.15 mΩ
H15	28	150 mm ²		3.000 A	0.10 mΩ
H24	32	240 mm ²		5.000 A	0.07 mΩ



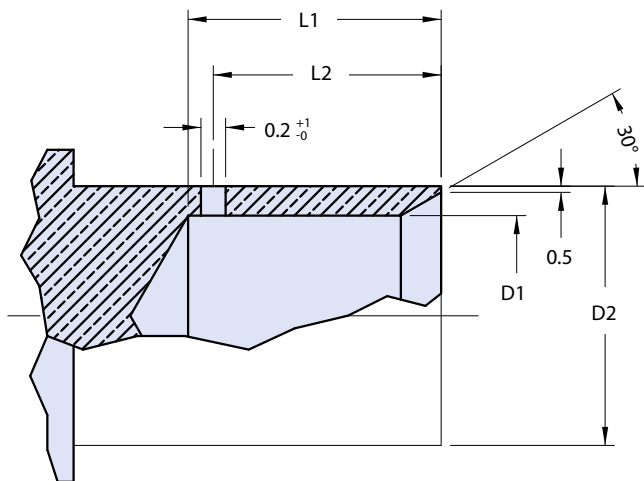


VG96929

Single Pole Power Connectors

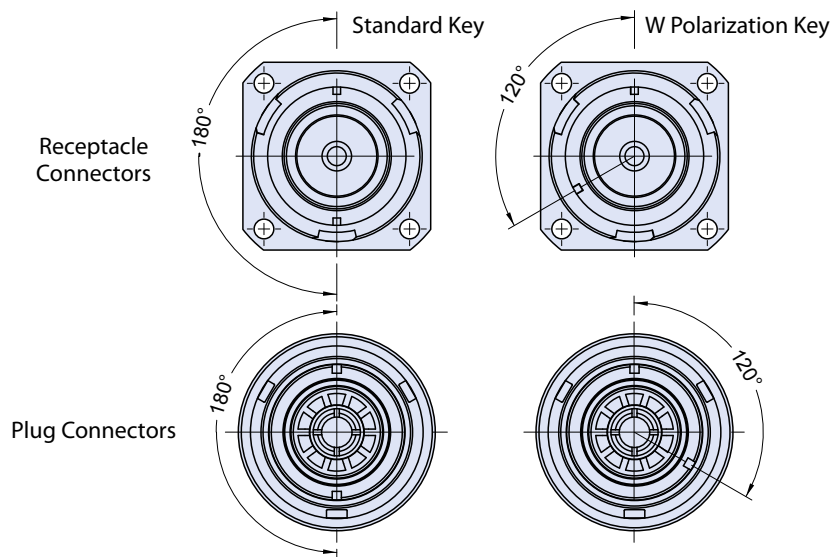
Contact Dimensions, Crimping Tools and Alternate Keyway Positions

A



CONTACT DIMENSIONS AND CRIMPING TOOLS

Contact Size	Cable mm ²	D1 +0.3 -0	D2 ±0.2	L1 ±0.2	L2	Hydraulic Crimping Tool	Crimping Die
H2	25	7.7	10.9	14.0	11.0	M.112004	M.112020
H5	50	11.2	16.0	15.0	13.0	M.112004	M.112021
H9	95	16.2	21.0	20.5	18.5	M.105013	M.112012
H15	150	20.9	27.0	28.0	25.5	M.105013	M.112018
H24	240	26.8	31.6	30.0	27.0	M.105013	M.105035



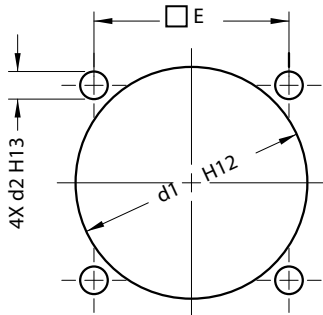
Alternate Keyway Positions

To avoid mismatching of similar connectors, VG96929 connectors are available with keyway in two different positions as shown below:

N: 180°

W: 120°

VG96929
Single Pole Power Connectors
Panel Cut-Out and Thickness Dimensions

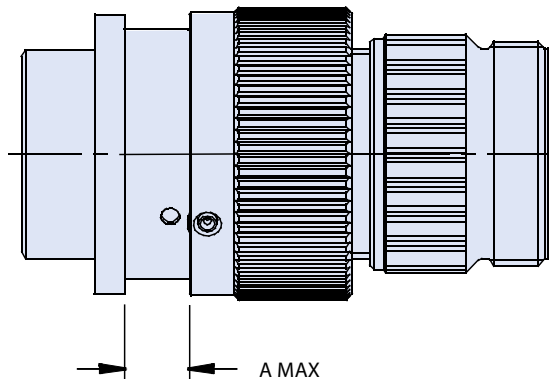


PANEL CUT-OUT

Size	d1 (mm)		d2 (mm)			E
	Front	Back	A1	A2	B1	
16	-	27.7	M4	M4	4.5	24.6
18	27.4	31.1	M4	M4	4.5	27.0
22	33.7	37.8	M4	M4	4.5	31.8
28	43.3	47.1	M5	M4	5.5	39.7
32	49.7	53.8	M5	M4	5.5	44.5

A

Maximum Panel Thickness



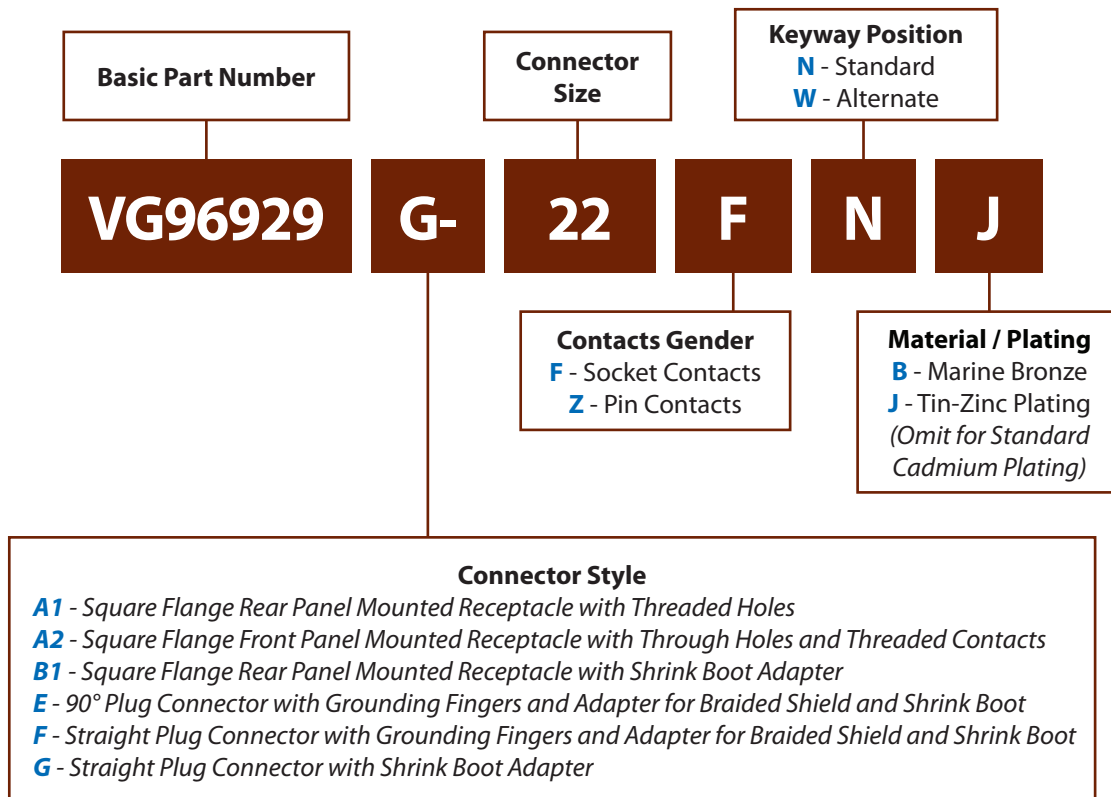
PANEL THICKNESS FOR TYPES A1 - A2 - B1

Shell Size	16	18	22	28	32
A	3.7	3.7	3.7	5.25	6.1

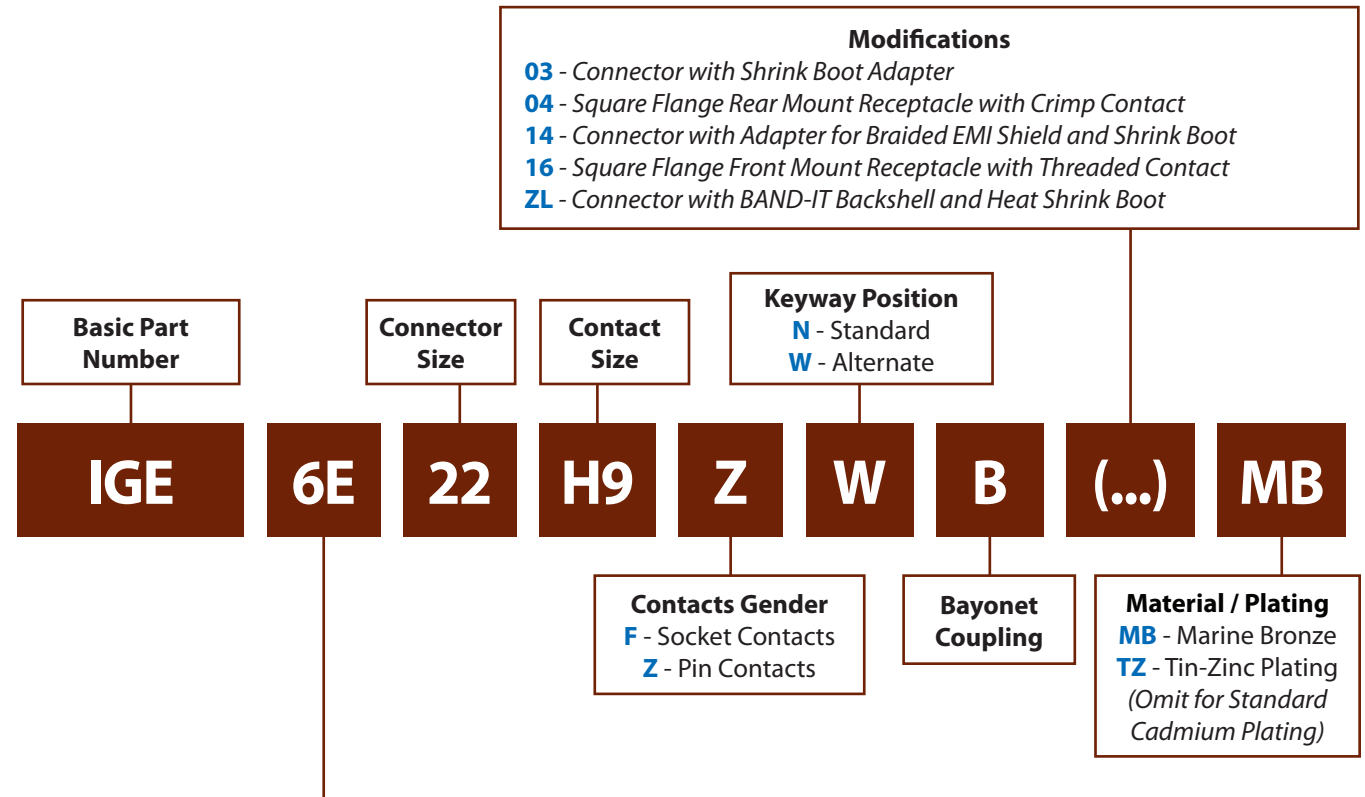


VG96929
Single Pole Power Connectors
How to Order

A



Glenair Series IGE
Commercial Product Line
How to Order

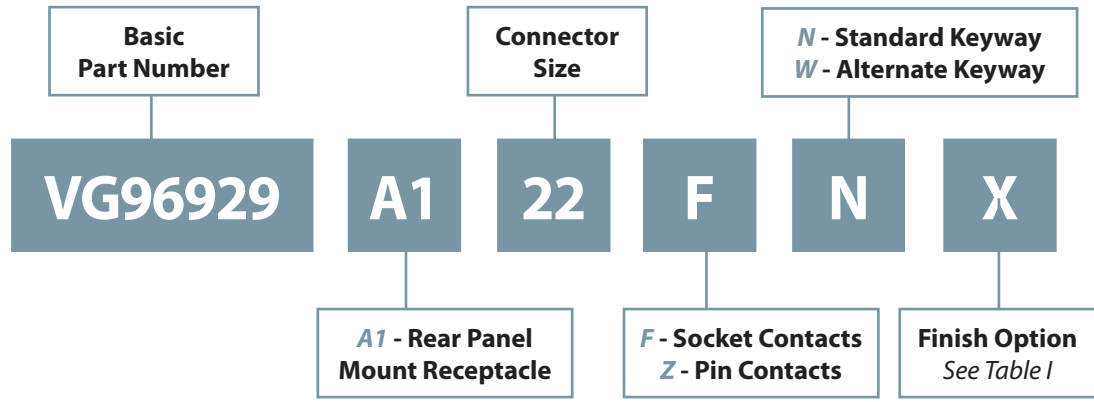


- Connector Style**
- 0E...-03** - Square Flange Rear Panel Mounted Receptacle with Shrink Boot Adapter
 - 0E...-ZL** - Square Flange Rear Panel Mounted Receptacle with BAND-IT Backshell
 - 1E...-03** - In-Line Receptacle with Shrink Boot Adapter
 - 1E...-14** - In-Line Receptacle with Adapter for EMI/RFI Shield and Shrink Boot
 - 2E...-04** - Square Flange Rear Panel Mounted Receptacle with Threaded Holes and Crimp Contacts
 - 2EFP...-04** - Square Flange Front Panel Mounted Receptacle with Through Holes and Crimp Contacts
 - 2E...-16** - Square Flange Front Panel Mounted Receptacle with Through Holes and Threaded Contacts
 - 2EFF...-16** - Square Flange Rear Panel Mounted Receptacle with Threaded Holes and Threaded Contacts
 - 6E...-03** - Straight Plug Connector with Shrink Boot Adapter
 - 6E...-14** - Straight Plug with Grounding Fingers and Adapter for EMI/RFI Shield and Shrink Boot
 - 6E...-16** - Straight Plug with Threaded Contact Terminal
 - 7E...-16** - Jam Nut Receptacle with Threaded Contact Terminal
 - 8E...-14** - 90° Plug with Grounding Fingers and Adapter for EMI/RFI Shield and Shrink Boot
 - 9E** - Square Flange Feed-Thru Receptacle with Threaded Holes
 - 9EFP** - Square Flange Feed-Thru Receptacle with Through Holes

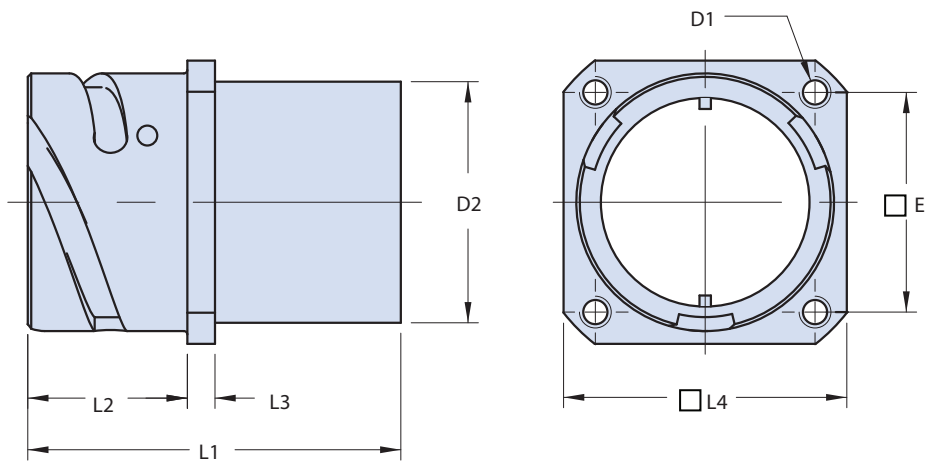


VG96929 A1

Square Flange Rear Panel Mount Receptacle



B



APPLICATION NOTES

1. Rear panel mount square flange receptacle—crimp contacts. Threaded mounting holes.
2. Material/Finish:
Shell - Aluminum alloy/olive drab passivation.
Insert - PTFE (Teflon)/N.A.
Contact - Copper alloy/silver plating (See pages A-7 and A-8 for additional contact information).
3. All dimensions are metric unless otherwise noted.

TABLE I: VG96929 QUALIFIED PLATING

Standard Aluminum/ Cadmium Olive Drab	Aluminum/ Zn-Sn	Marine Bronze/ Unplated
Omit	J	B

VG96929 A1

Square Flange Rear Panel Mount Receptacle

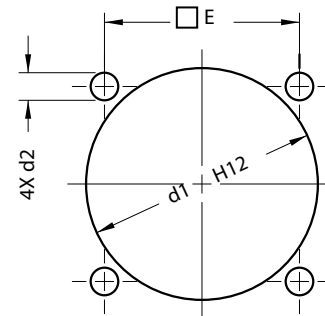


TABLE I: DIMENSIONS

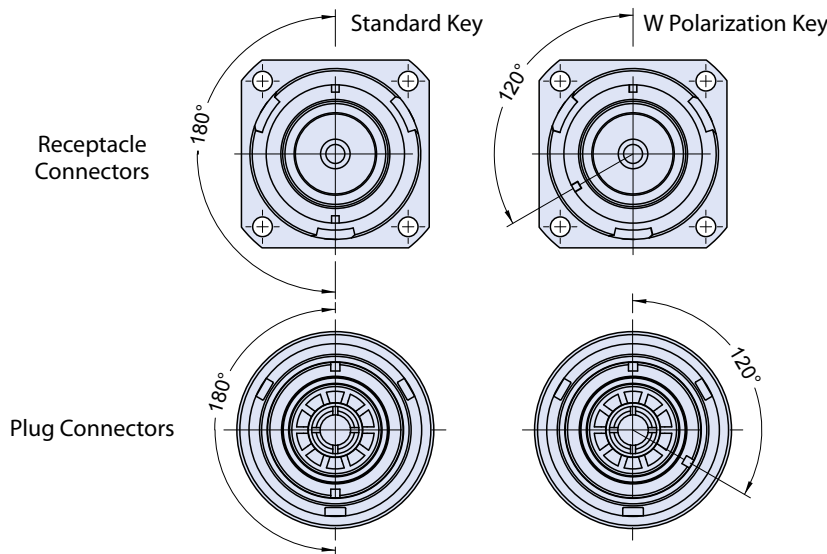
Cable mm ²	Size	D1	D2 +0 -0.15	□E ±0.1	L1 max	L2 +0.4 -0	L3 ±0.1	L4 ±0.3	Weight gr. Max
50	18	M4	26.9	27.0	50.3	23.05	4.0	35.0	130
95	22	M4	33.2	31.8	54.3	23.05	4.0	41.0	165
150	28	M5	42.8	39.7	65.6	24.05	4.0	50.8	320
240	32	M5	49.2	44.5	71.1	28.90	4.0	57.0	370

PANEL CUT-OUT

Size	d1	d2	□E
18	31.1	M4	27.0
22	37.8	M4	31.8
28	47.1	M5	39.7
32	53.8	M5	44.5



B



Alternate Keyway Positions

To avoid mismatching of similar connectors, VG96929 connectors are available with keyway in two different positions as shown below:

N: 180°

W: 120°

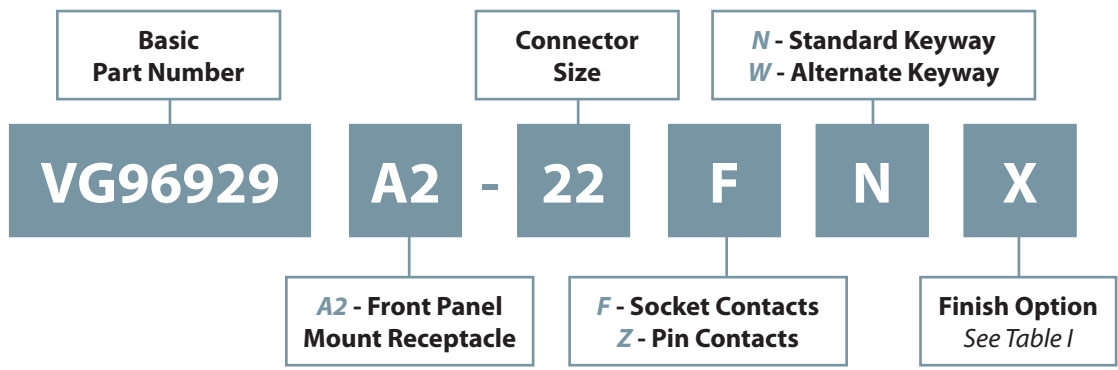
PROTECTIVE COVERS ACCORDING TO VG95234-7

Size	Protective Covers
16	VG95234KR16S
18	VG95234KR18
22	VG95234KR22
28	VG95234KR28
32	VG95234KR32

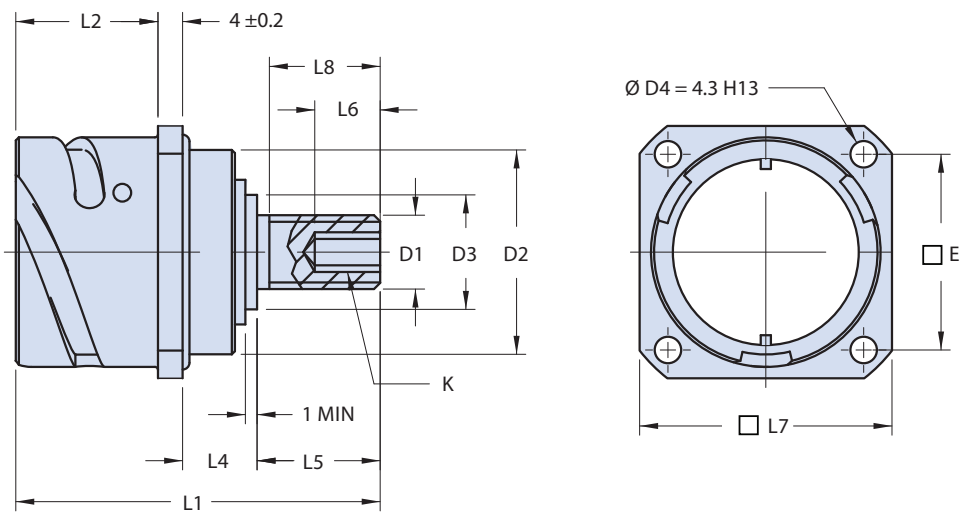


VG96929 A2

Square Flange Front Panel Mount Receptacle with Set Screw Termination



B



APPLICATION NOTES

1. Front panel mount square flange receptacle—with set screw termination. Through mounting holes.
2. Material/Finish:
Shell - Aluminum alloy/olive drab passivation.
Insert - PTFE (Teflon)/N.A.
Contact - Copper alloy/silver plating (See pages A-7 and A-8 for additional contact information).
3. All dimensions are metric unless otherwise noted.

TABLE I: VG96929 QUALIFIED PLATING

Standard Aluminum/ Cadmium/ Olive Drab	Aluminum/ Zn-Sn	Marine Bronze/ Unplated
Omit	J	B

VG96929 A2
Square Flange Front Panel Mount Receptacle
with Set Screw Termination

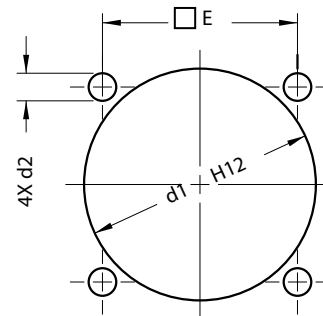


TABLE I: DIMENSIONS

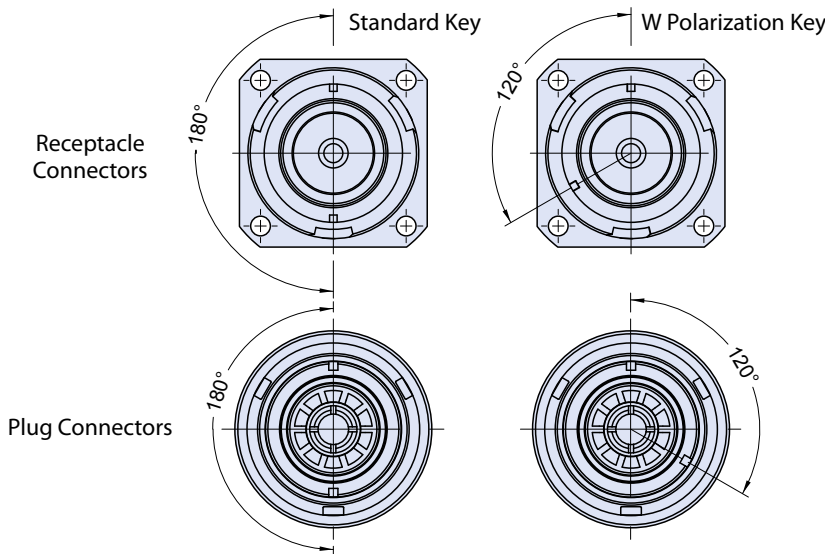
Cable mm ²	Size	D1	D2 +0 -0.15	Ø D4 ±0.3	D3 +0 -0.15	□E ±0.1	K ±0.2	L1 max	L2 +0.4 -0	L4 ±1.5		L5 ±0.3	L6 ±0.3	L7 ±0.3	L8 min	Weight gr. Max
										(F)	(Z)					
50	18	M8	26.9	4.3	15.0	27.0	3	55	23.05	12.0	12.0	15	10	35.0	12	130
95	22	M12	33.2	4.3	18.7	31.8	6	66	23.05	13.5	12.0	25	8	41.0	22	165
150	28	M12	42.8	5.3	27.0	39.7	6	62	24.05	12.0	12.0	20	8	50.8	16	320
240	32	M16	49.2	5.3	31.7	44.5	8	78	28.90	14.0	14.0	30	8	57.0	27	370

PANEL CUT-OUT

Size	d1	d2	□E
18	27.4	M4	27.0
22	33.7	M4	31.8
28	43.3	M4	39.7
32	49.7	M4	44.5



B



Alternate Keyway Positions

To avoid mismatching of similar connectors, VG96929 connectors are available with keyway in two different positions as shown below:

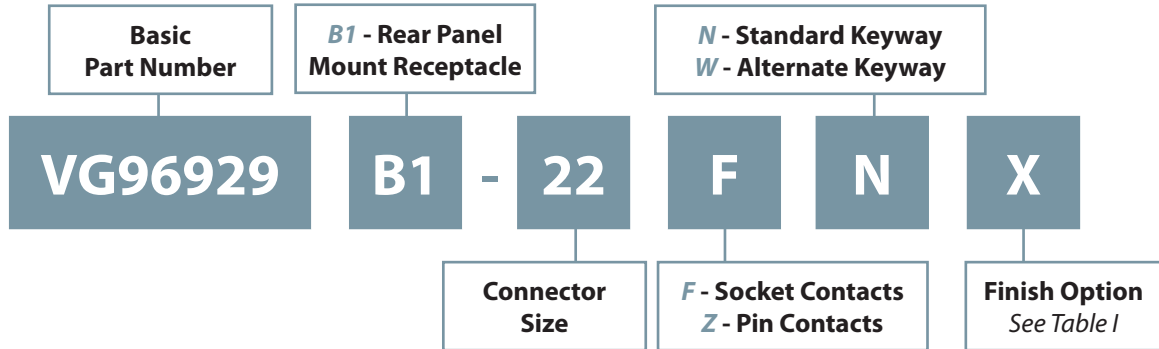
- N: 180°**
- W: 120°**

PROTECTIVE COVERS ACCORDING TO VG95234-7

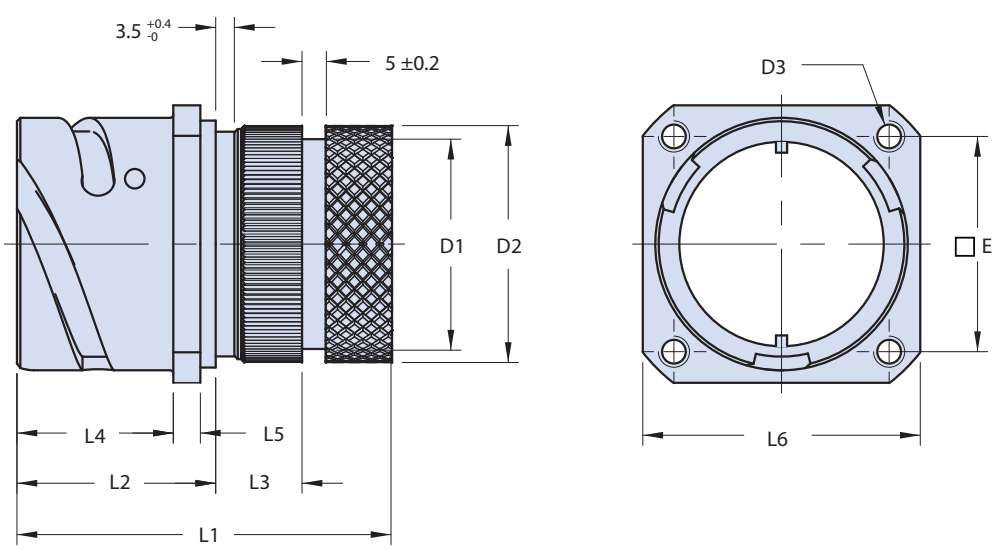
Size	Protective Covers
16	VG95234KR16S
18	VG95234KR18
22	VG95234KR22
28	VG95234KR28
32	VG95234KR32



VG96929 B1
Square Flange Rear Panel Wall Mount Receptacle
with Shrink Boot Adapter



B



APPLICATION NOTES

1. Rear panel mount square flange receptacle—crimp contacts. Threaded mounting holes.
2. Material/Finish:
Shell - Aluminum alloy/olive drab passivation.
Insert - PTFE (Teflon)/N.A.
Contact - Copper alloy/silver plating (See pages A-7 and A-8 for additional contact information).
3. All dimensions are metric unless otherwise noted.

TABLE I: VG96929 QUALIFIED PLATING

Standard Aluminum/ Cadmium/ Olive Drab	Aluminum/ Zn-Sn	Marine Bronze/ Unplated
Omit	J	B

VG96929 B1

Square Flange Rear Panel Wall Mount Receptacle with Shrink Boot Adapter

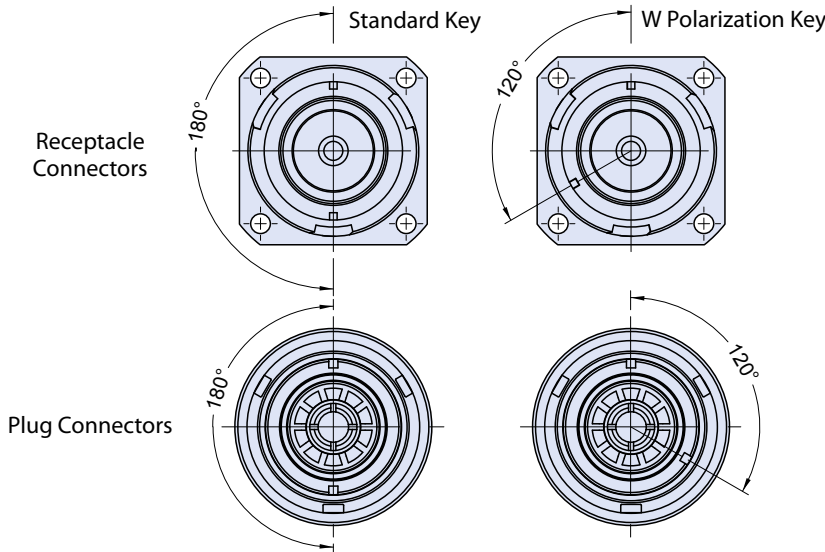
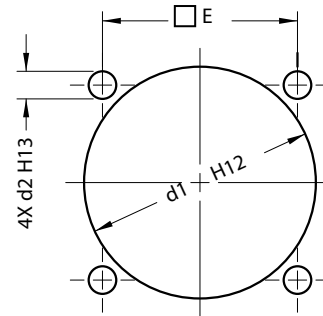


TABLE I: DIMENSIONS

Cable mm ²	Size	D1 Max	D2 Max	D3	□E ±0.1	L1 ±0.4	L2 ±2	L3 Opt	L4 ±0.4	L5 ±0.3	L6 ±0.3	L7 ±0.3	Weight gr. Max
25	16	20.3	22.7	M4	24.6	41.0	29	-	20.00	3.2	32.5	5-	50
50	18	25.8	28.4	M4	27.0	50.0	32	-	23.05	4.0	35.0	86	86
95	22	33.0	35.3	M4	31.8	54.0	34	-	23.05	4.0	41.0	127	127
150	28	41.3	44.8	M5	39.7	65.3	38	18	24.05	4.0	50.8	250	250
240	32	46.1	49.6	M5	44.5	66.8	39	18	28.90	4.0	57.0	305	305

PANEL CUT-OUT

Size	d1	d2	□E
16	27.7	4.5	24.6
18	31.1	4.5	27.0
22	37.8	4.5	31.8
28	47.1	4.5	39.7
32	53.8	4.5	44.5



Alternate Keyway Positions

To avoid mismatching of similar connectors, VG96929 connectors are available with keyway in two different positions as shown below:

- N: 180°**
- W: 120°**

PROTECTIVE COVERS ACCORDING TO VG95234-7

Size	Protective Covers
16	VG95234KR16S
18	VG95234KR18
22	VG95234KR22
28	VG95234KR28
32	VG95234KR32



VG96929 E
90° Plug Connector with Grounding Fingers and Adapter for EMI/RFI Braid and Shrink Boot

Basic Part Number

VG96929

Connector Size

E - 22

N - Standard Keyway W - Alternate Keyway

F N

X

E - 90° Plug Connector with Grounding Fingers and Adapter for EMI/RFI Braided Shield and Shrink Boot

**F - Socket Contacts
Z - Pin Contacts**

**Finish Option
See Table I**

B

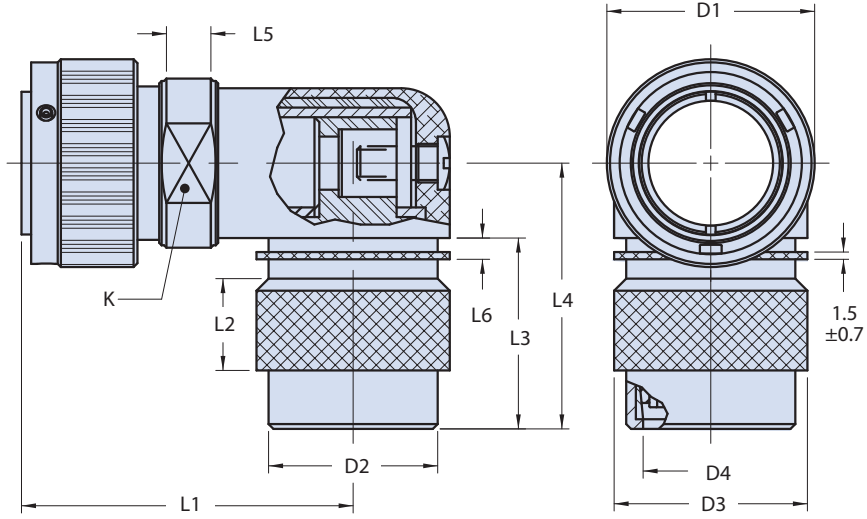


TABLE I: VG96929 QUALIFIED PLATING

APPLICATION NOTES

- 90° Plug connector with grounding fingers for EMI/RFI braided shielding termination and shrink boot, and set screw termination.
- Material/Finish:
Shell, adapter and coupling nut - Aluminum alloy/olive drab passivation.
Insert - PTFE (Teflon)/N.A.
Contact - Copper alloy/silver plating (See pages A-7 and A-8 for additional contact information).
- All dimensions are metric unless otherwise noted.

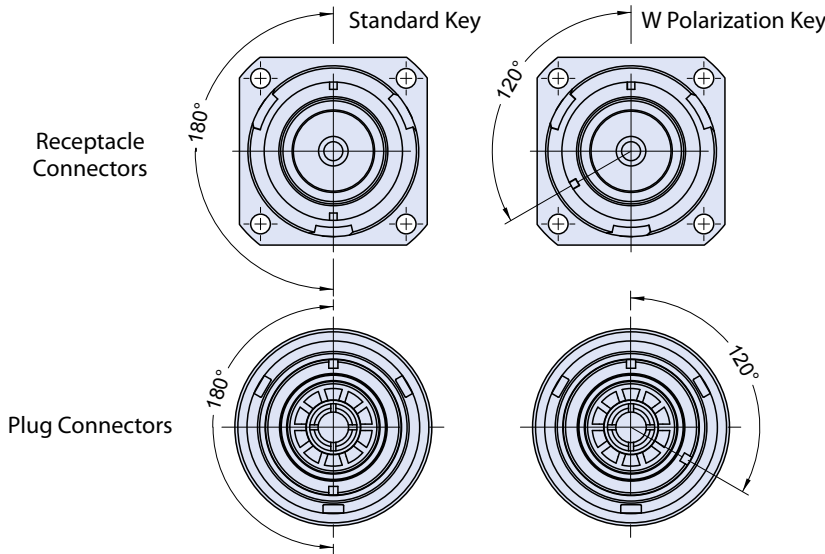
Standard Aluminum/ Cadmium Olive Drab	Aluminum/ Zn-Sn	Marine Bronze/ Unplated
Omit	J	B

VG96929 E
90° Plug Connector with Grounding Fingers
and Adapter for EMI/RFI Braid and Shrink Boot



TABLE I: DIMENSIONS

Cable mm ²	Size	D1 max	D2 max	D3 max	D4 ±0.3	K	L1 max	L2 opt	L3 max	L4 max	L5 min	L6 (tol.)	Weight gr. Max
95	22	43.1	39.0	42.5	28	38	81	19.0	41.5	57	6.0	2.9 (±0.5)	440
150	28	53.5	43.7	48.0	29	50	79	20.6	41.5	58	7.5	3.2 (±0.2)	690
240	32	60.1	48.6	52.5	42	52	84	22.2	41.5	65	6.0	3.2 (±0.2)	690

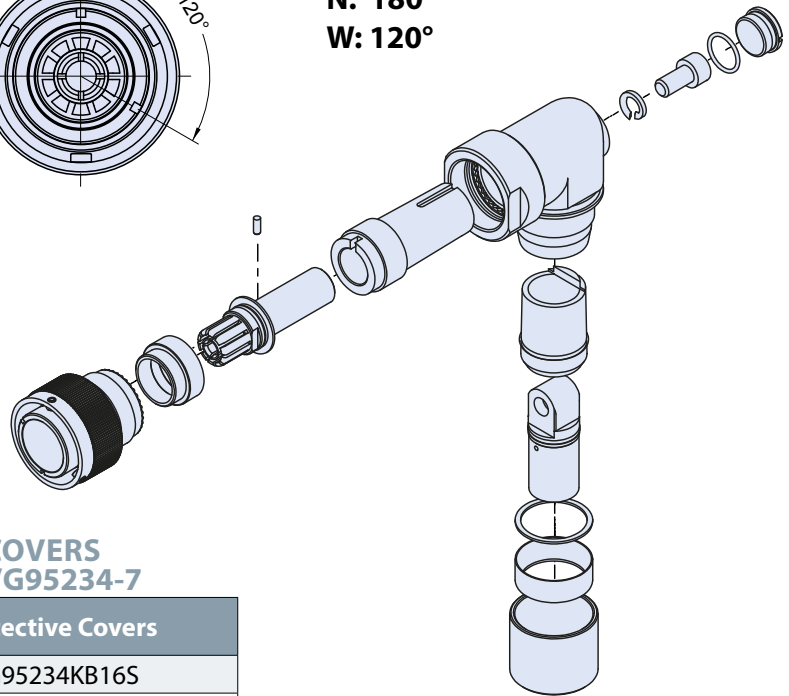


Alternate Keyway Positions

To avoid mismatching of similar connectors, VG96929 connectors are available with keyway in two different positions as shown below:

N: 180°

W: 120°

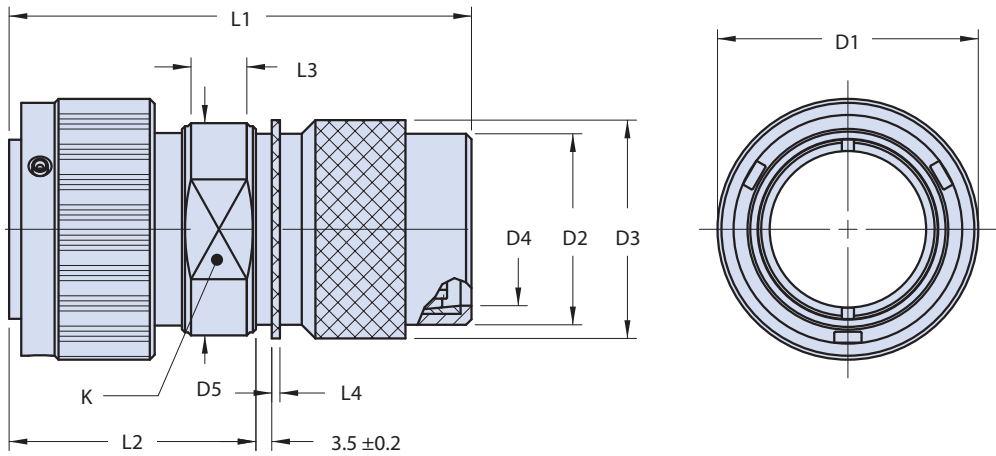
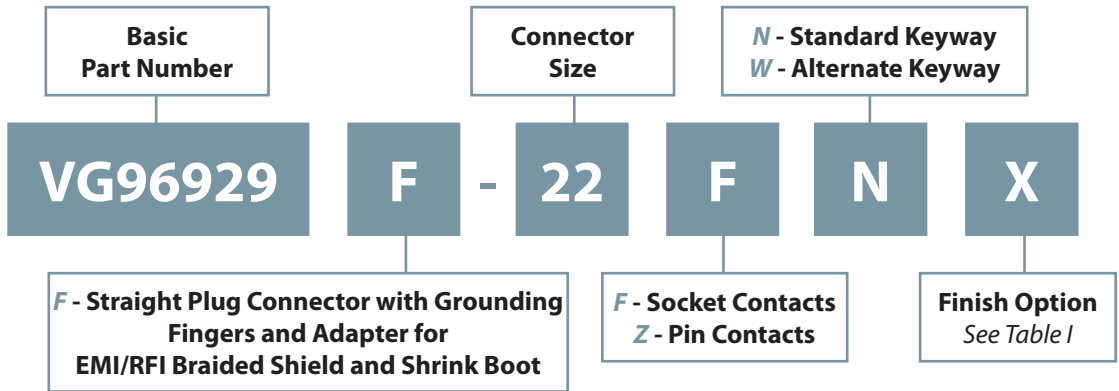


PROTECTIVE COVERS
ACCORDING TO VG95234-7

Size	Protective Covers
16	VG95234KB16S
18	VG95234KB18
22	VG95234KB22
28	VG95234KB28
32	VG95234KR32



VG96929 F
Straight Plug Connector with Grounding Fingers and Adapter for EMI/RFI Braid and Shrink Boot



B

APPLICATION NOTES

1. Straight Plug connector with grounding fingers and adapter for EMI/RFI braided shielding termination and shrink boot.
2. Material/Finish:
Shell, adapter and coupling nut - Aluminum alloy/olive drab passivation.
Insert - PTFE (Teflon)/N.A.
Contact - Copper alloy/silver plating (See pages A-7 and A-8 for additional contact information).
3. All dimensions are metric unless otherwise noted.

TABLE I: VG96929 QUALIFIED PLATING

Standard Aluminum/ Cadmium/ Olive Drab	Aluminum/ Zn-Sn	Marine Bronze/ Unplated
Omit	J	B

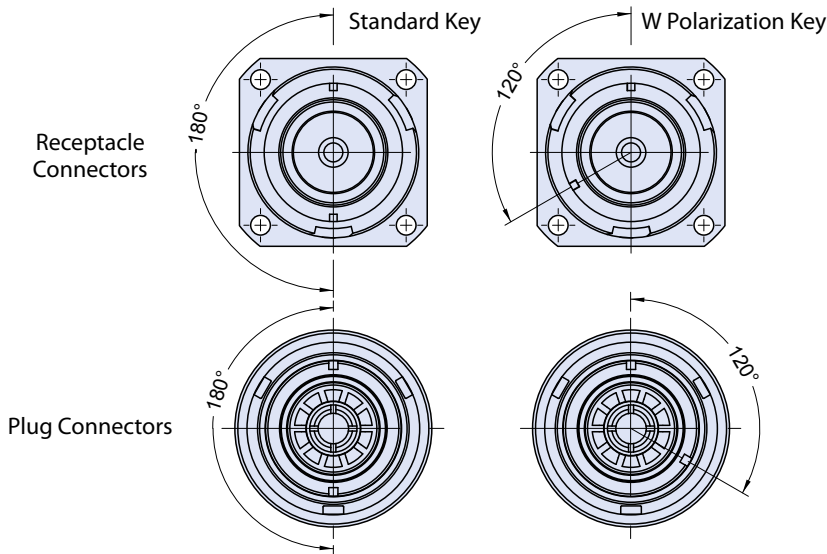
VG96929 F

Straight Plug Connector with Grounding Fingers and Adapter for EMI/RFI Braid and Shrink Boot



TABLE I: DIMENSIONS

Cable mm ²	Size	D1 max	D2 max	D3 max	D4 min	D5 max	K	L1 max	L2 max	L3 min	L4 ±0.7	Weight gr. max
25	16	32.0	24.1	26.0	15.5	32.0	26	70	45.6	8	1.0	80
50	18	36.5	28.8	32.0	20.0	36.5	32	76	51.1	6	1.0	156
95	22	43.1	34.1	37.0	25.5	46.0	38	86	61.0	9	1.0	204
150	28	53.5	40.7	44.0	32.0	53.0	50	98	71.7	9	1.0	300
240	32	60.1	47.3	51.6	38.0	60.0	52	98	70.7	12	2.0	450



Alternate Keyway Positions

To avoid mismatching of similar connectors, VG96929 connectors are available with keyway in two different positions as shown below:

N: 180°

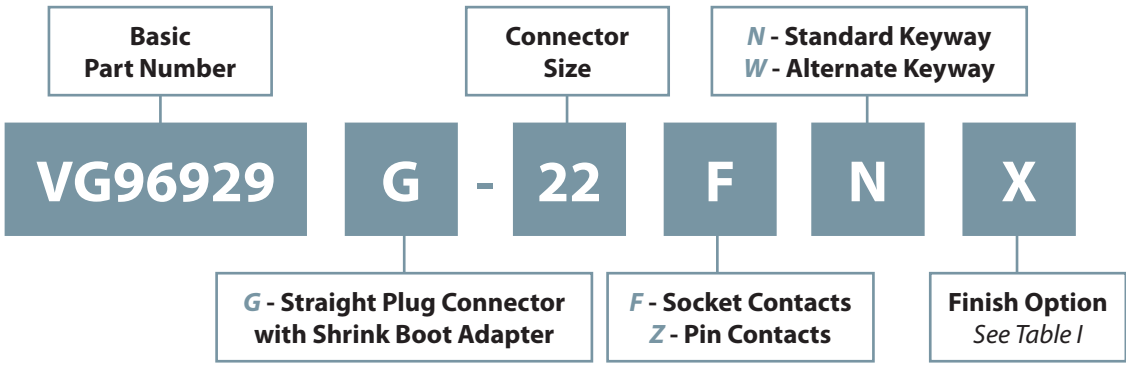
W: 120°

PROTECTIVE COVERS ACCORDING TO VG95234-7

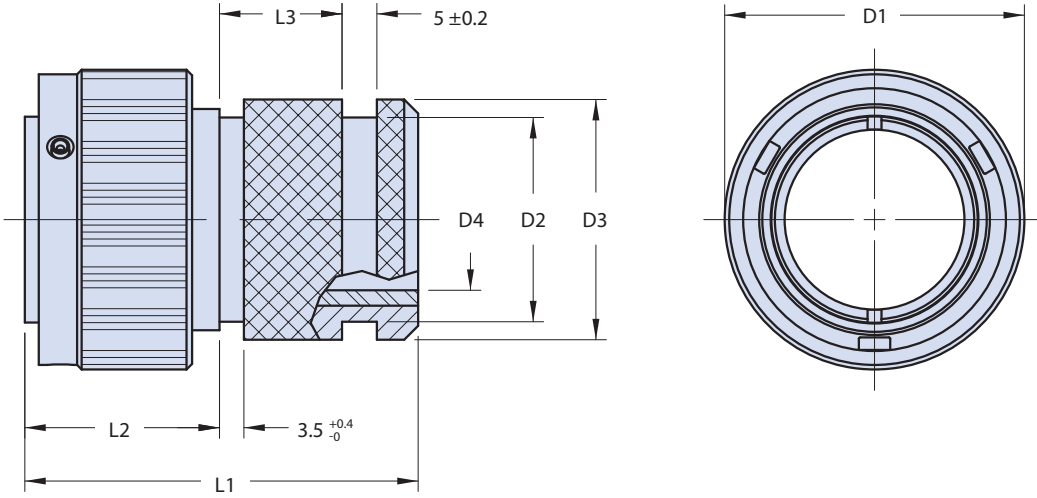
Size	Protective Covers
16	VG95234KB16S
18	VG95234KB18
22	VG95234KB22
28	VG95234KB28
32	VG95234KR32



VG96929 G Straight Plug Connector with Shrink Boot Adapter



B



APPLICATION NOTES

1. Straight Plug connector with shrink boot adapter.
2. Material/Finish:
 Shell, adapter and coupling nut - Aluminum alloy/olive drab passivation.
 Insert - PTFE (Teflon)/N.A.
 Contact - Copper alloy/silver plating (See pages A-7 and A-8 for additional contact information).
3. All dimensions are metric unless otherwise noted.

TABLE I: VG96929 QUALIFIED PLATING

Standard Aluminum/ Cadmium/ Olive Drab	Aluminum/ Zn-Sn	Marine Bronze/ Unplated
Omit	J	B

VG96929 G

Straight Plug Connector with Shrink Boot Adapter

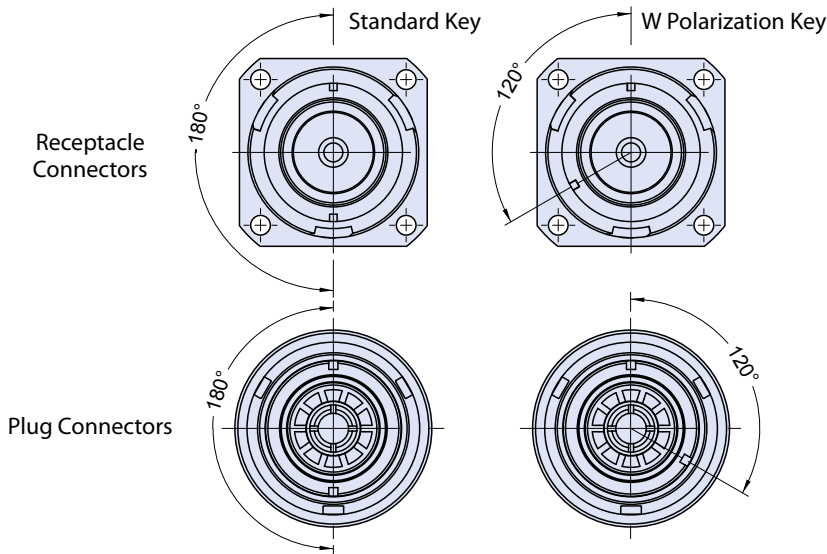


VG96929
Connectors

TABLE I: DIMENSIONS

Cable mm ²	Size	D1 max	D2 max	D3 max	D4 min	L1 max	L2 max	L3 opt	Weight gr. max
25	16	32.0	20.3	22.7	14.0	44	25	-	64
50	18	36.5	25.8	28.4	19.0	53	33	-	106
95	22	43.1	31.5	35.3	23.9	57	37	13.3	146
150	28	53.5	41.3	44.8	27.3	65	37	18.0	270
240	32	60.1	46.1	49.6	32.8	65	39	15.0	320

B



Alternate Keyway Positions

To avoid mismatching of similar connectors, VG96929 connectors are available with keyway in two different positions as shown below:

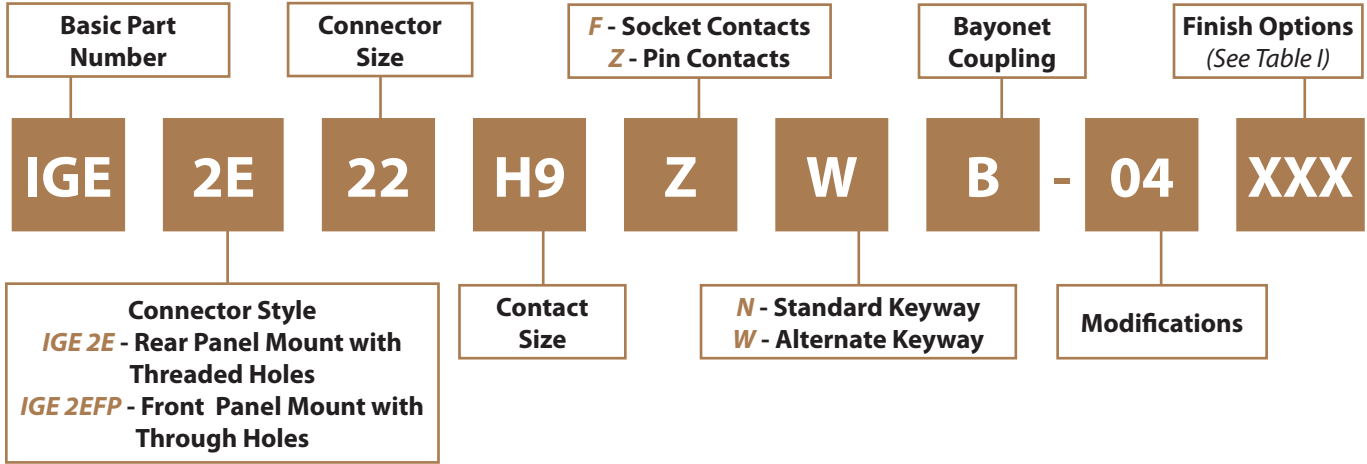
- N: 180°**
- W: 120°**

PROTECTIVE COVERS ACCORDING TO VG95234-7

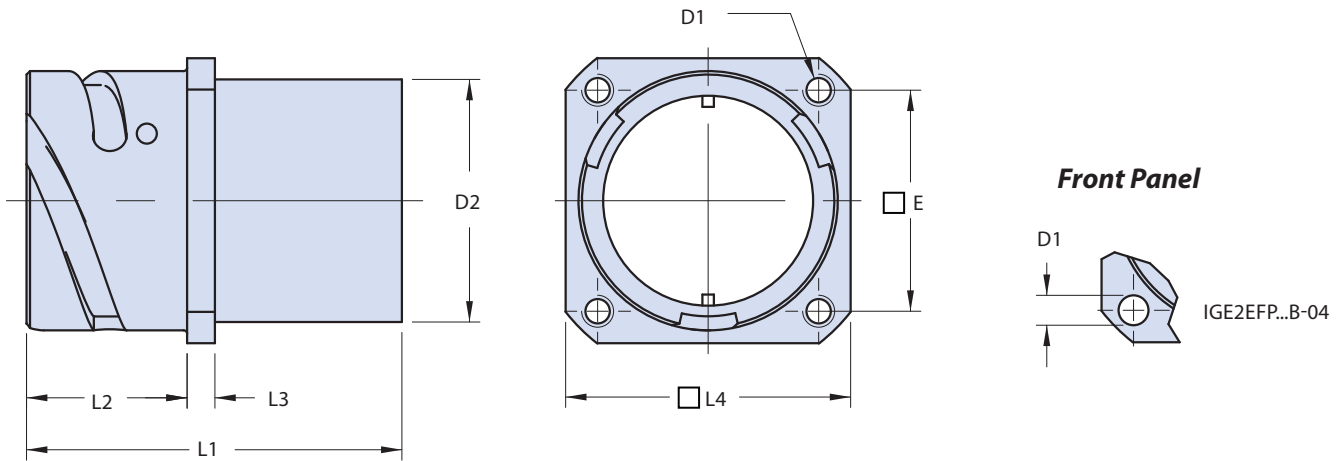
Size	Protective Covers
16	VG95234KB16S
18	VG95234KB18
22	VG95234KB22
28	VG95234KB28
32	VG95234KR32



IGE 2E ... B-04 MB Square Flange Panel Mount Receptacle with Crimp Contacts



C



APPLICATION NOTES

- Panel mount square flange receptacle—crimp contacts. Threaded mounting holes.
- Standard Material Finish:
Shell - Aluminum alloy/olive drab passivation.
Insert - PTFE (Teflon)/N.A.
Contact - Copper alloy/silver plating (See pages A-7 and A-8 for additional contact information).
- All dimensions are metric unless otherwise noted.

TABLE I: FINISH OPTIONS

Sym	Description	RoHS
	Omit for Aluminum/Cadmium Olive Drab	
TZ	Tin-Zinc	✓
F7	Aluminum/ Black Zinc Nickel	✓
F11	Aluminum/ Electroless Nickel	✓
MB	Marine Bronze/ Unplated	✓
FK	Stainless Steel/ Passivate	✓

IGE 2E ... B-04 MB
Square Flange Panel Mount Receptacle
with Crimp Contacts

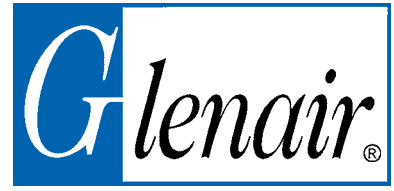
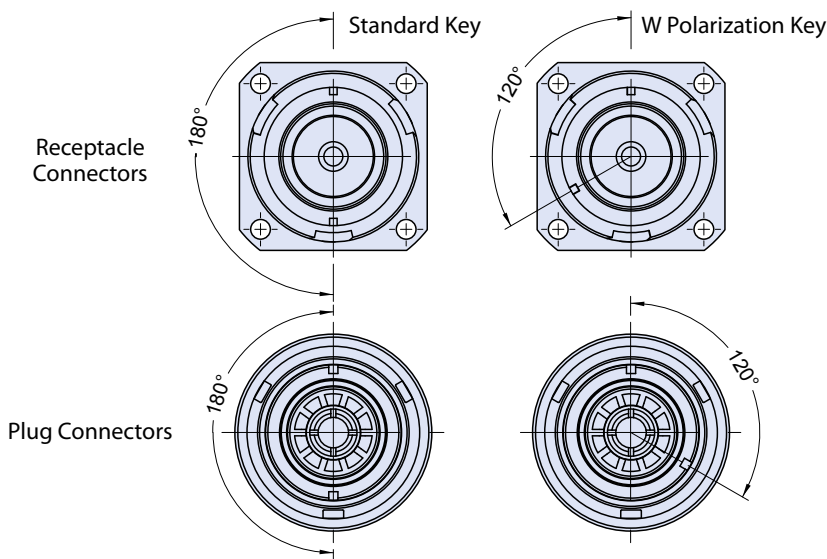
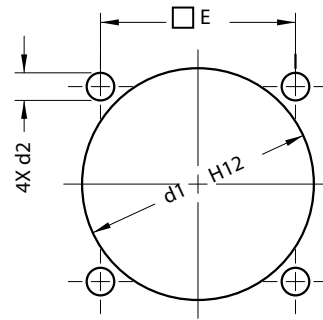


TABLE I: DIMENSIONS

Cable mm ²	Size	D1 ±0.3		D2 ±0.1 5	□E ±0.1	L1 max	L2 ±0.4	L3 ±0.3	L4 ±0.3	Weight for Alloy Version (gr. max)
			(FP) H13							
25	16	M4	4.3	22.7	24.6	41.0	20.0	32.0	32.5	100
50	18	M4	4.3	27.0	27.0	50.0	23.15	4.0	35.0	150
95	22	M4	4.3	34.9	31.8	54.0	23.15	4.0	41.0	240
150	28	M4	5.3	44.4	39.7	65.3	24.15	4.0	50.8	420
240	32	M5	5.3	49.2	44.5	66.8	29.00	4.0	57.0	520

PANEL CUT-OUT

Size	d1		d2		□E
	Front	Rear	H13		
16	-	27.7	4.5	M4	24.6
18	27.4	31.1	4.5	M4	27.0
22	33.7	37.8	4.5	M4	31.8
28	43.3	47.1	5.5	M5	39.7
32	49.7	53.8	5.5	M5	44.5



Alternate Keyway Positions

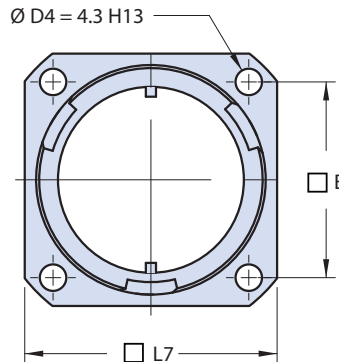
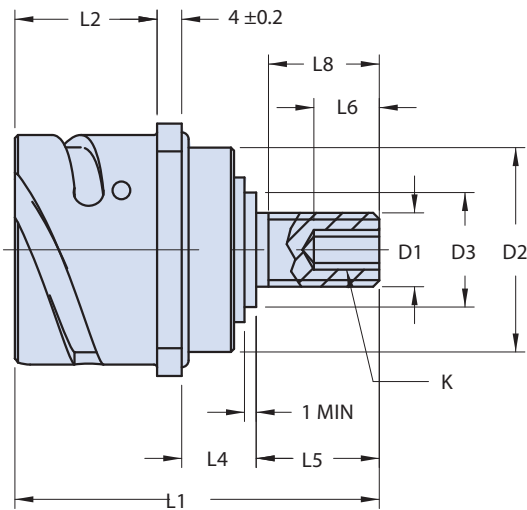
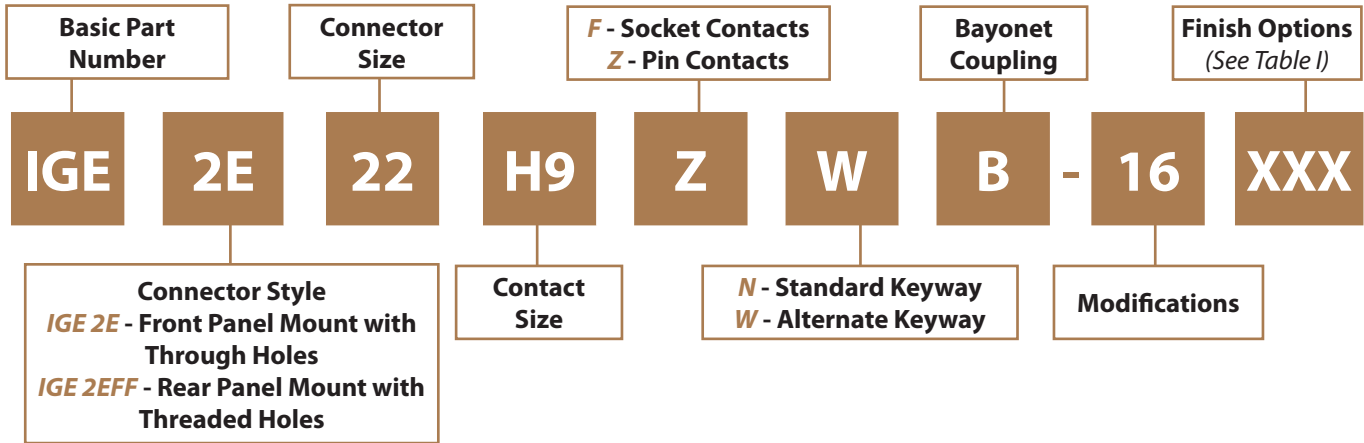
To avoid mismatching, connectors are available with keyway in two different positions as shown below:

N: 180°

W: 120°



IGE 2E ... B-16 MB Square Flange Panel Mount Receptacle with Threaded Contact Terminal



Front Panel
IGE 2E FF ... B16

APPLICATION NOTES

1. Rear panel mount square flange receptacle—crimp contacts. Threaded mounting holes.
2. Material/Finish:
Shell - Aluminum alloy/olive drab passivation.
Insert - PTFE (Teflon)/N.A.
Contact - Copper alloy/silver plating (See pages A-7 and A-8 for additional contact information).
3. All dimensions are metric unless otherwise noted.

TABLE I: FINISH OPTIONS

Sym	Description	RoHS
	Omit for Aluminum/Cadmium Olive Drab	
TZ	Tin-Zinc	✓
F7	Aluminum/ Black Zinc Nickel	✓
F11	Aluminum/ Electroless Nickel	✓
MB	Marine Bronze/ Unplated	✓
FK	Stainless Steel/ Passivate	✓

IGE 2E ... B-16 MB
Square Flange Panel Mount Receptacle
with Threaded Contact Terminal

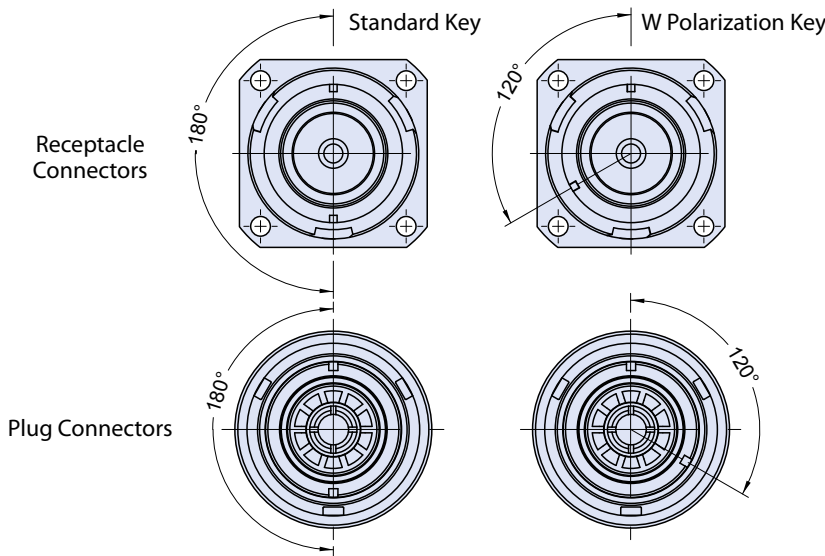
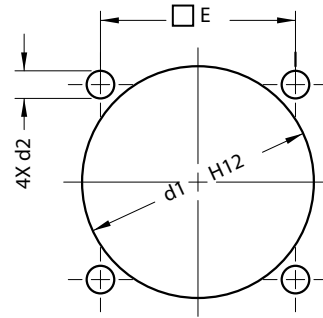


TABLE I: DIMENSIONS

Cable mm ²	Size	D1	D2 +0 -0.15	D3 +0 -0.15	D4 ±0.3		□E ±0.1	K ±0.2	L1 max	L2 +0.4-0	L4 ±1.5		L5 ±0.3	L6 ±0.3	L7 ±0.3	L8 Min	Weight for Alloy Version (gr. max)
					(FP)	H13					(F)	(Z)					
50	18	M8	26.9	15.0	M4	4.3	27.0	3	55	23.05	12.0	12.0	15	10	35.0	12	195
95	22	M12	33.2	18.7	M4	4.3	31.8	6	66	23.05	13.5	12.0	25	8	41.0	22	250
150	28	M12	42.8	27.0	M4	5.3	39.7	6	62	24.05	12.0	12.0	20	8	50.8	16	430
240	32	M16	49.2	31.7	M4	5.3	44.5	8	78	28.90	14.0	14.0	30	8	57.0	27	530

PANEL CUT-OUT

Size	d1		d2		□E
	Front	Rear	H13		
18	27.4	31.1	4.5	M4	27.0
22	33.7	37.8	4.5	M4	31.8
28	43.3	47.1	5.5	M5	39.7
32	49.7	53.8	5.5	M5	44.5



Alternate Keyway Positions

To avoid mismatching, connectors are available with keyway in two different positions as shown below:

N: 180°

W: 120°



IGE 0E ... B-03 MB
Square Flange Rear Panel Mount Receptacle
with Shrink Boot Adapter

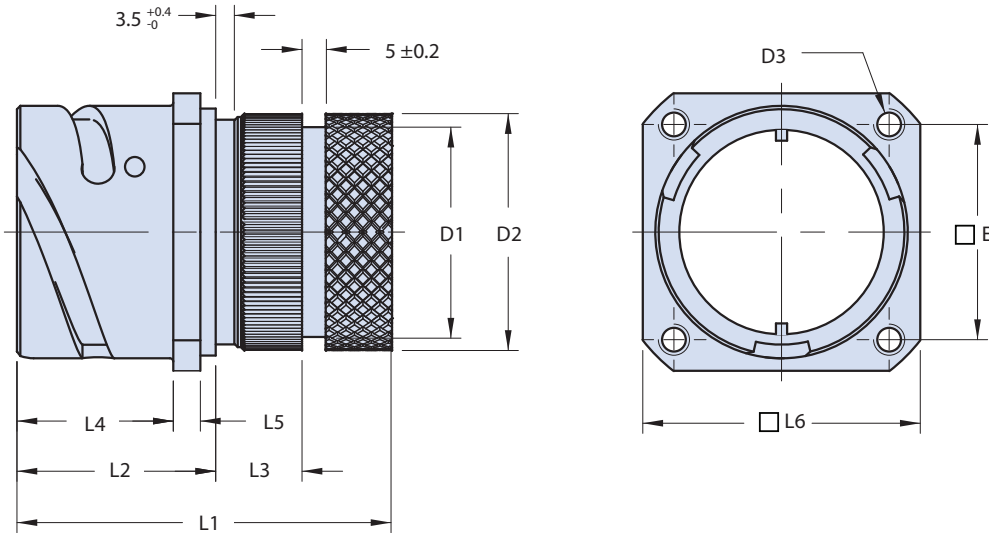
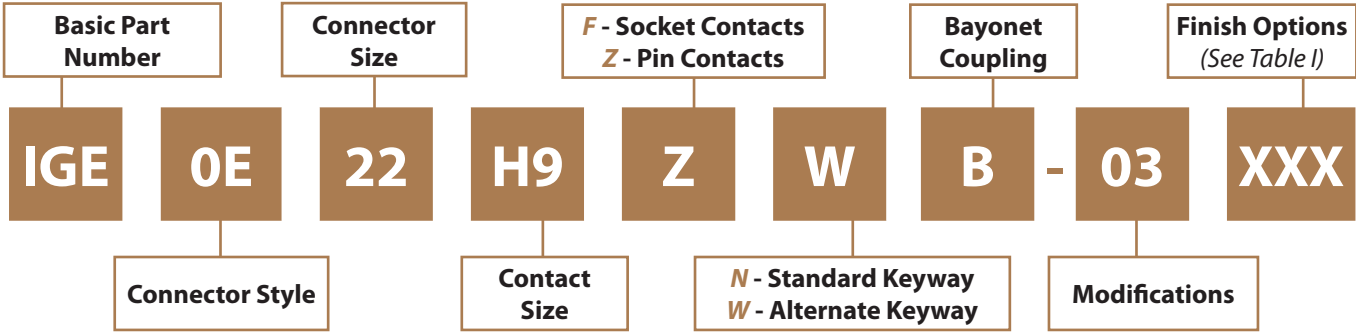


TABLE I: FINISH OPTIONS

Sym	Description	RoHS
	Omit for Aluminum/Cadmium Olive Drab	
TZ	Tin-Zinc	✓
F7	Aluminum/ Black Zinc Nickel	✓
F11	Aluminum/ Electroless Nickel	✓
MB	Marine Bronze/ Unplated	✓
FK	Stainless Steel/ Passivate	✓

APPLICATION NOTES

1. Rear panel mount square flange receptacle—crimp contacts. Threaded mounting holes.
2. Material/Finish:
Shell - Aluminum alloy/olive drab passivation.
Insert - PTFE (Teflon)/N.A.
Contact - Copper alloy/silver plating (See pages A-7 and A-8 for additional contact information).
3. All dimensions are metric unless otherwise noted.

IGE 0E ... B-03 MB
Square Flange Rear Panel Mount Receptacle
with Shrink Boot Adapter

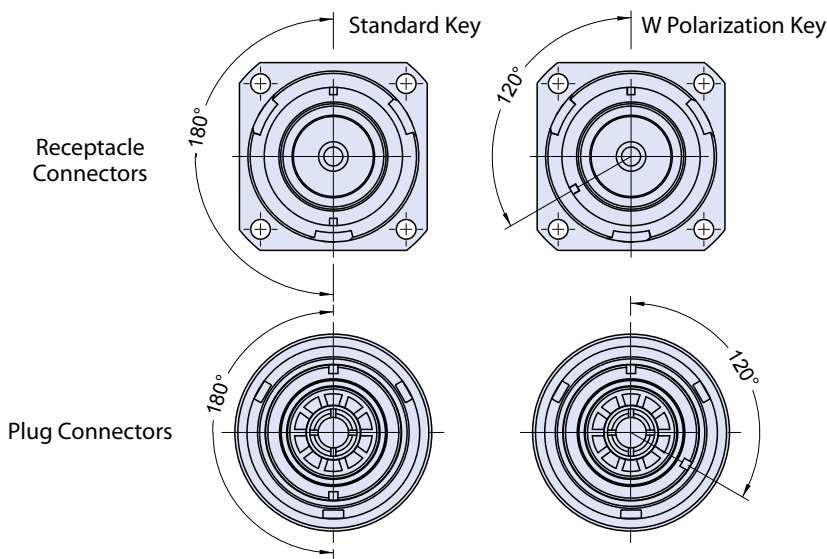
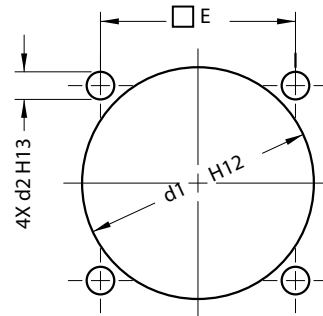


TABLE I: DIMENSIONS

Cable mm ²	Size	D1 max	D2 max	D3	□E ±0.1	L1 ±0.4	L2 ±2	L3 opt	L4 ±0.4	L5 ±0.3	□L6 ±0.3	L7 ±0.3	Weight for Alloy Version (gr. max)
25	16	20.3	22.7	M4	24.6	41.0	29	-	20.00	3.2	32.5	50	120
50	18	25.8	28.4	M4	27.0	50.0	32	-	23.05	4.0	35.0	86	150
95	22	33.0	35.3	M4	31.8	54.0	34	-	23.05	4.0	41.0	127	240
150	28	41.3	44.8	M5	39.7	65.3	38	18	24.05	4.0	50.8	250	420
240	32	46.1	49.6	M5	44.5	66.8	39	18	28.90	4.0	57.0	305	520

PANEL CUT-OUT

Size	d1	d2	□E
16	27.7	4.5	24.6
18	31.1	4.5	27.0
22	37.8	4.5	31.8
28	47.1	5.5	39.7
32	53.8	5.5	44.5



Alternate Keyway Positions

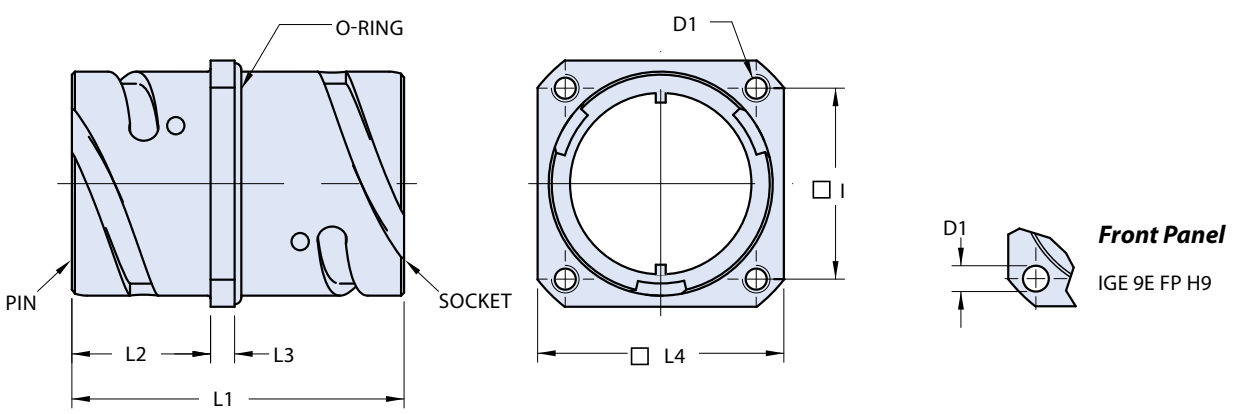
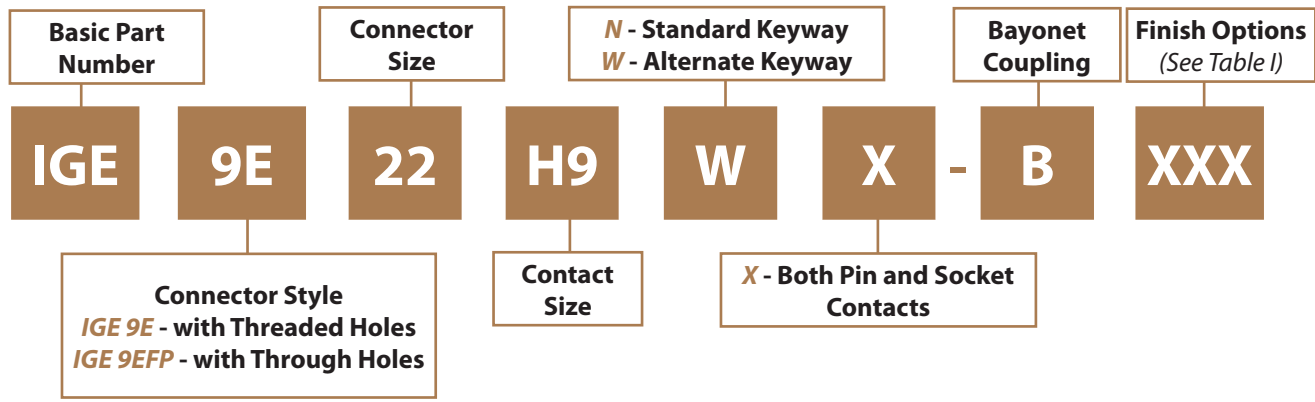
To avoid mismatching, connectors are available with keyway in two different positions as shown below:

N: 180°

W: 120°



IGE 9E ... X-B MB and IGE 9EFP ... X-B MB
Square Flange Feed-Thru Receptacle
with Threaded or Through Mounting Holes



Front Panel
IGE 9E FP H9

APPLICATION NOTES

1. Rear panel mount square flange receptacle—crimp contacts. Threaded mounting holes.
2. Material/Finish:
Shell - Aluminum alloy/olive drab passivation.
Insert - PTFE (Teflon)/N.A.
Contact - Copper alloy/silver plating (See pages A-7 and A-8 for additional contact information).
3. All dimensions are metric unless otherwise noted.

TABLE I: FINISH OPTIONS

Sym	Description	RoHS
	Omit for Aluminum/Cadmium Olive Drab	
TZ	Tin-Zinc	✓
F7	Aluminum/ Black Zinc Nickel	✓
F11	Aluminum/ Electroless Nickel	✓
MB	Marine Bronze/ Unplated	✓
FK	Stainless Steel/ Passivate	✓

IGE 9E ... X-B MB and IGE 9EFP ... X-B MB
Square Flange Feed-Thru Receptacle
with Threaded or Through Mounting Holes

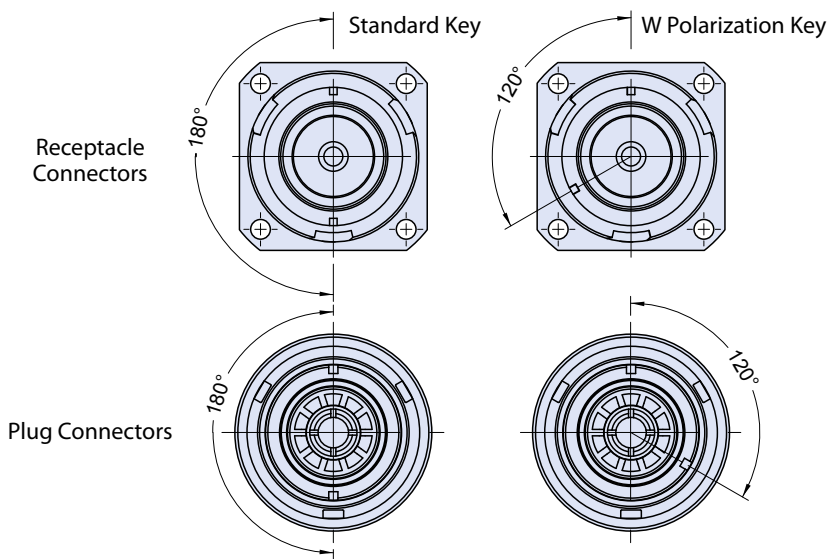
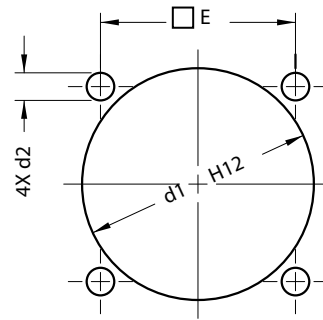


TABLE I: DIMENSIONS

Cable mm ²	Size	D1 Max		□E ±0.1	L1 max	L2		L3 ±0.2	L4 ±0.3	Weight for Alloy Version (gr. max)
		Threaded	Through (FP)			Min	Max			
95	22	M4	4.3	31.8	52.1	19	24.0	4.0	41.0	260
150	28	M5	5.3	39.7	52.1	20.5	23.6	4.0	50.8	390
240	32	M5	5.3	44.5	60.5	21.5	25.2	4.0	57.0	490

PANEL CUT-OUT

Size	d1		d2		□E
	Front	Rear	H 13		
22	33.7	37.8	4.5	M4	31.8
28	43.3	47.1	5.5	M5	39.7
32	49.7	53.8	5.5	M5	44.5



Alternate Keyway Positions

To avoid mismatching, connectors are available with keyway in two different positions as shown below:

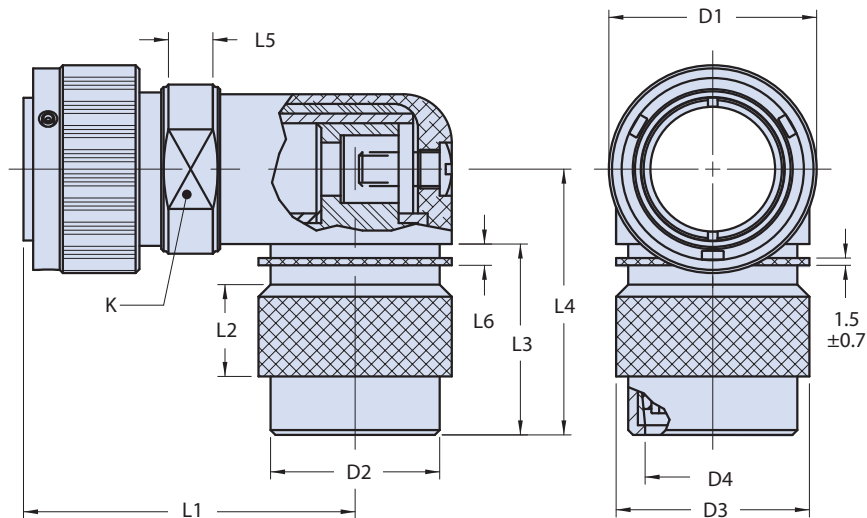
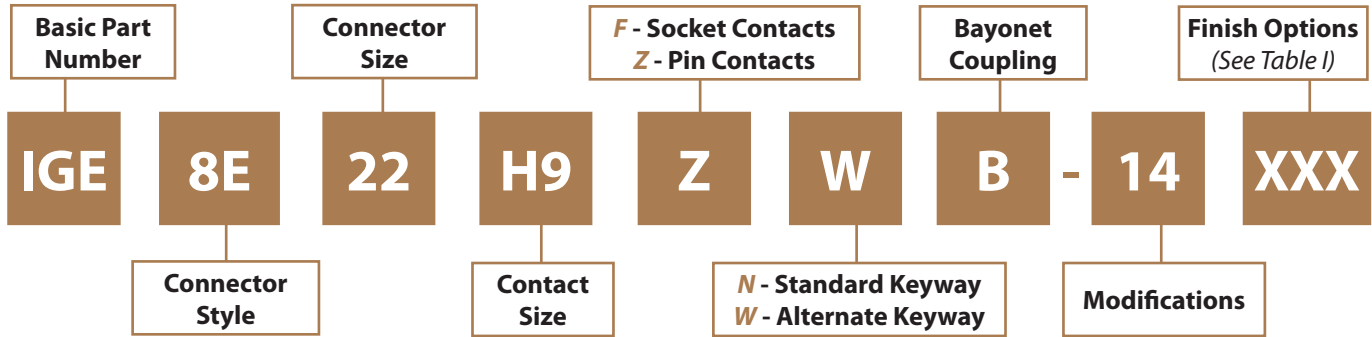
N: 180°

W: 120°



IGE 8E ... B-14 MB

90° Plug Connector with Grounding Fingers and Adapter for EMI/RFI Braid and Shrink Boot



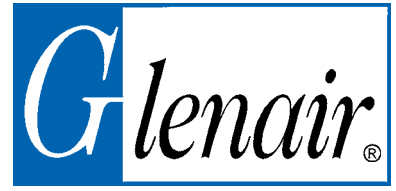
APPLICATION NOTES

1. 90° plug connector with grounding fingers and adapter for EMI/RFI braided shielding termination and shrink boot. Set screw termination.
2. Material/Finish:
 Shell - Aluminum alloy/olive drab passivation.
 Insert - PTFE (Teflon)/N.A.
 Contact - Copper alloy/silver plating (See pages A-7 and A-8 for additional contact information).
3. All dimensions are metric unless otherwise noted.

TABLE I: FINISH OPTIONS

Sym	Description	RoHS
	Omit for Aluminum/Cadmium Olive Drab	
TZ	Tin-Zinc	✓
F7	Aluminum/ Black Zinc Nickel	✓
F11	Aluminum/ Electroless Nickel	✓
MB	Marine Bronze/ Unplated	✓
FK	Stainless Steel/ Passivate	✓

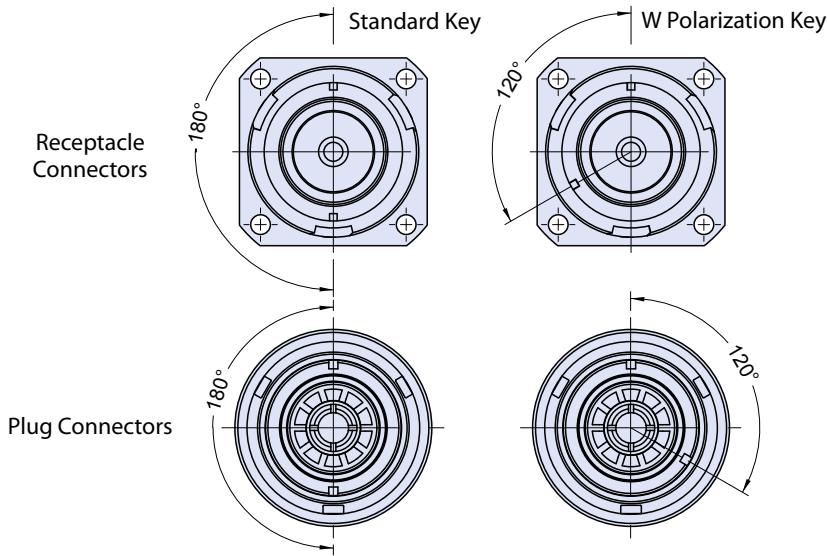
IGE 8E ... B-14 MB
90° Plug Connector with Grounding Fingers
and Adapter for EMI/RFI Braid and Shrink Boot



VG96929
 Accessories

TABLE I: DIMENSIONS

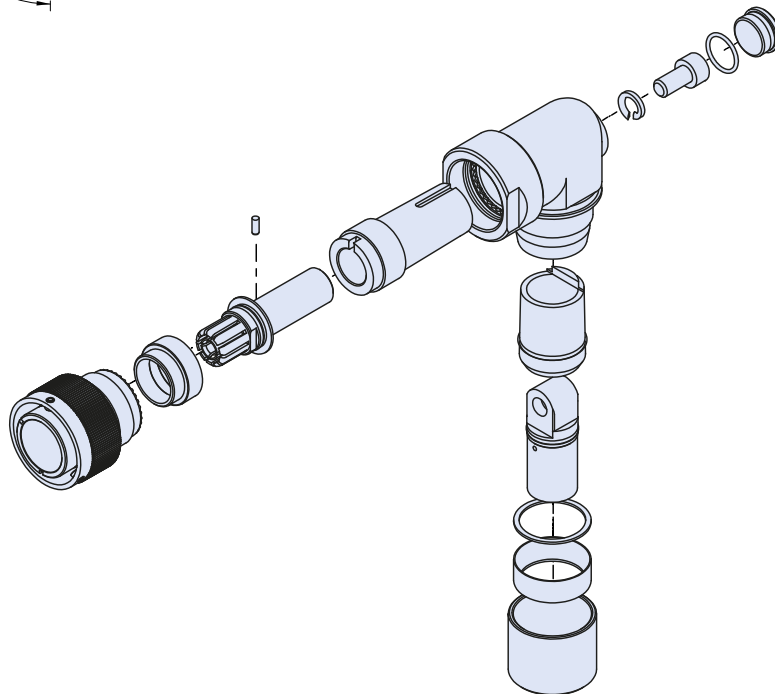
Cable mm ²	Size	D1 Max	D2 Max	D3 Max	D4 ±0.3	K	L1 Max	L2 opt	L3 Max	L4 Max	L5 Min	L6 (tol.)	Weight for Alloy Version (gr. max)
95	22	43.1	39.0	42.5	28	38	81	19.0	41.5	57	6.0	2.9 (±0.5)	750
150	28	53.5	43.7	48.0	29	50	79	20.6	41.5	58	7.5	3.2 (±0.2)	1076
240	32	60.1	48.6	52.5	42	52	84	22.2	41.5	65	6.0	3.2 (±0.2)	1340



Alternate Keyway Positions

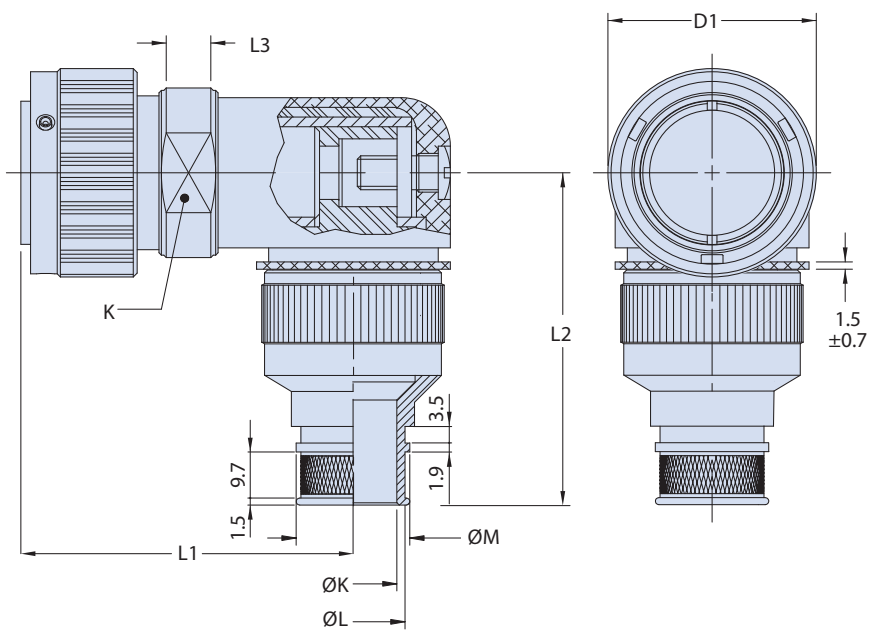
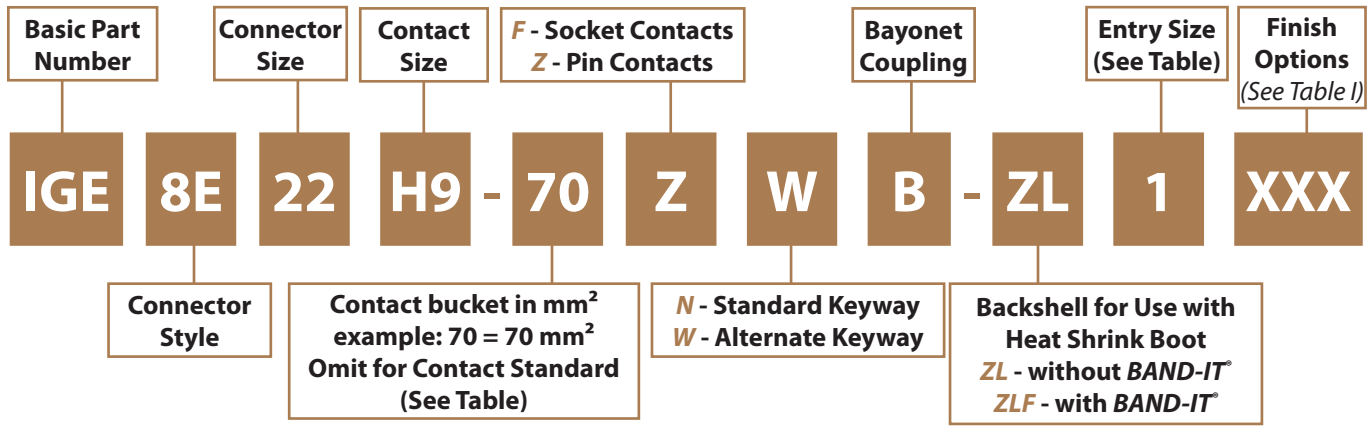
To avoid mismatching, connectors are available with keyway in two different positions as shown below:

- N: 180°**
- W: 120°**





IGE 8E ... ZL MB 90° Plug Connector with Grounding Fingers and BAND-IT Backshell



APPLICATION NOTES

- 90° plug connector with grounding fingers and adapter for EMI/RFI braided shield using stainless steel BAND-IT® band and shrink boot.
- Material/Finish:
Shell - Aluminum alloy/olive drab passivation.
Insert - PTFE (Teflon)/N.A.
Contact - Copper alloy/silver plating (See pages A-7 and A-8 for additional contact information).
- All dimensions are metric unless otherwise noted.

TABLE I: FINISH OPTIONS

Sym	Description	RoHS
	Omit for Aluminum/Cadmium Olive Drab	
TZ	Tin-Zinc	✓
F7	Aluminum/ Black Zinc Nickel	✓
F11	Aluminum/ Electroless Nickel	✓
MB	Marine Bronze/ Unplated	✓
FK	Stainless Steel/ Passivate	✓

IGE 8E ... ZL MB
90° Plug Connector with Grounding Fingers
and BAND-IT Backshell



DIMENSIONS

Cable mm ²	Size	D1 Max	K	L1 Max	L2 Max	L3 Max	Entry Size ^a	Weight for Alloy Version (gr. max)
95	22	43.1	38	81	80	41.5	6÷11	750
150	28	53.5	50	79	90	41.5	9÷14	1076
240	32	60.1	52	84	100	41.5	14÷19	1340

a) For further entry size, please consult factory

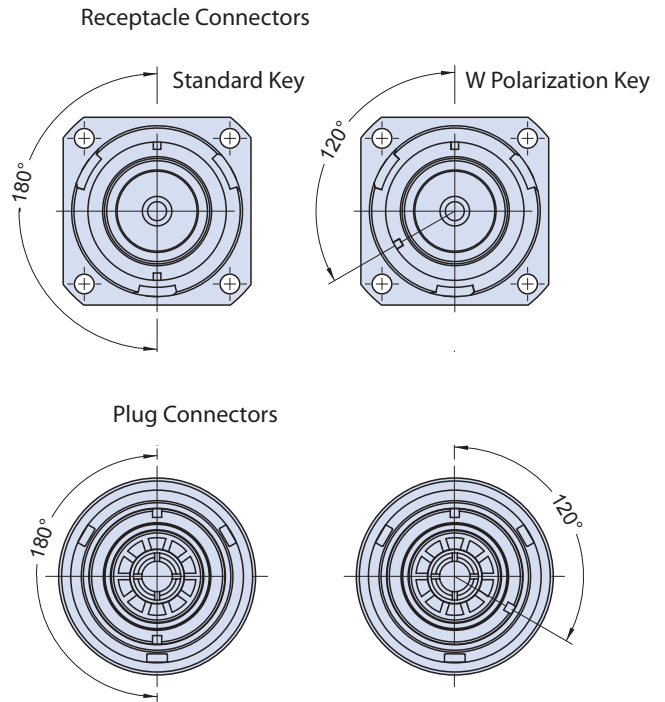
ENTRY SIZE TABLE

Entry Size	ØK	ØL	ØM
01	3.2	6.4	7.9
02	4.8	7.9	9.5
03	6.4	9.5	11.1
04	7.9	11.1	12.7
05	9.5	12.7	14.3
06	11.1	14.3	15.8
07	12.7	15.9	17.4
08	14.3	17.5	19.1
09	15.9	19.1	20.6
10	17.5	20.6	22.2
11	19.1	22.2	23.8
12	20.6	23.8	25.4
13	22.2	25.4	27.0
14	23.8	27.0	28.5
15	25.4	28.6	30.1
16	27.0	30.2	31.8
17	28.6	31.8	33.3
18	31.8	34.9	36.5
19	34.9	38.1	39.7
20	38.1	41.3	42.8
21	41.3	44.5	46.0
22	44.5	47.6	49.2
23	47.6	50.8	52.4
24	50.8	54.0	55.5

Alternate Keyway Positions

To avoid mismatching of similar connectors, VG96929 connectors are available with keyway in two different positions as shown below:

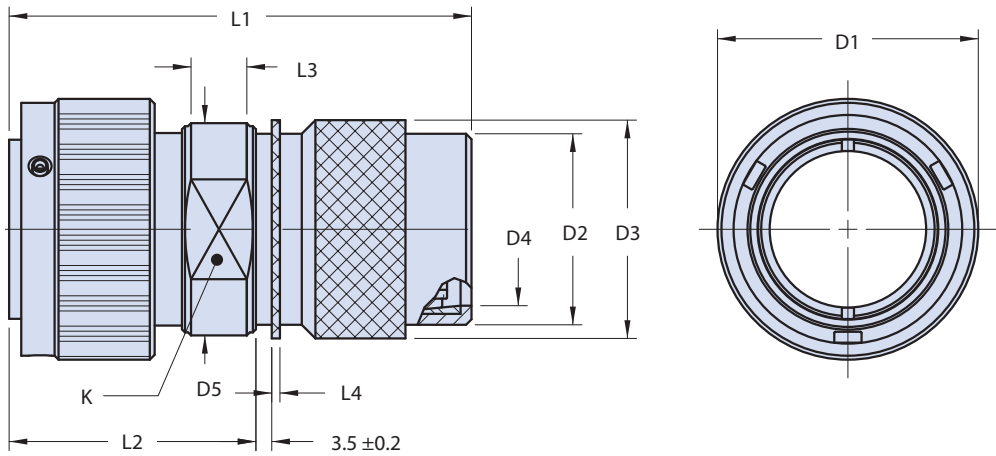
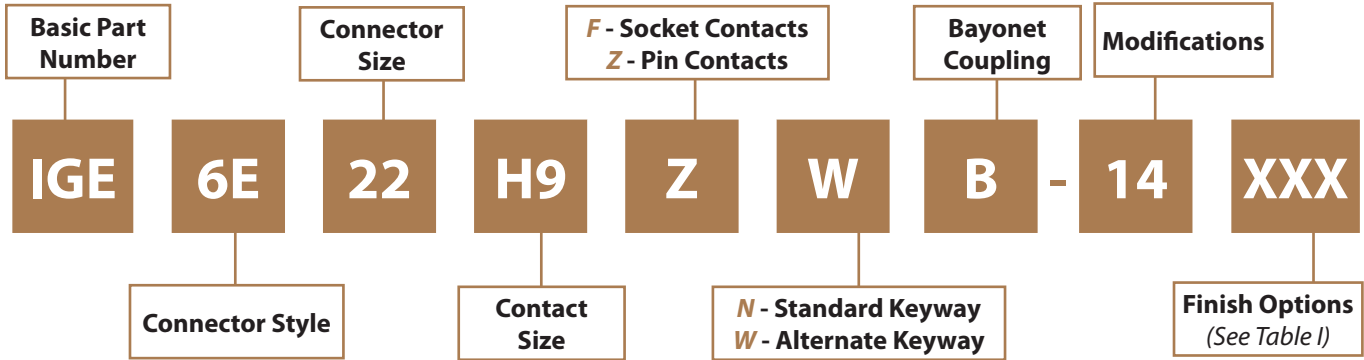
N: 180°
W: 120°





IGE 6E ... B-14 MB

Straight Plug Connector with Grounding Fingers and Adapter for EMI/RFI Braid and Shrink Boot



APPLICATION NOTES

1. Straight plug connector with grounding fingers and adapter for EMI/RFI braided shielding termination and shrink boot.
2. Material/Finish:
Shell - Aluminum alloy/olive drab passivation.
Insert - PTFE (Teflon)/N.A.
Contact - Copper alloy/silver plating (See pages A-7 and A-8 for additional contact information).
3. All dimensions are metric unless otherwise noted.

TABLE I: FINISH OPTIONS

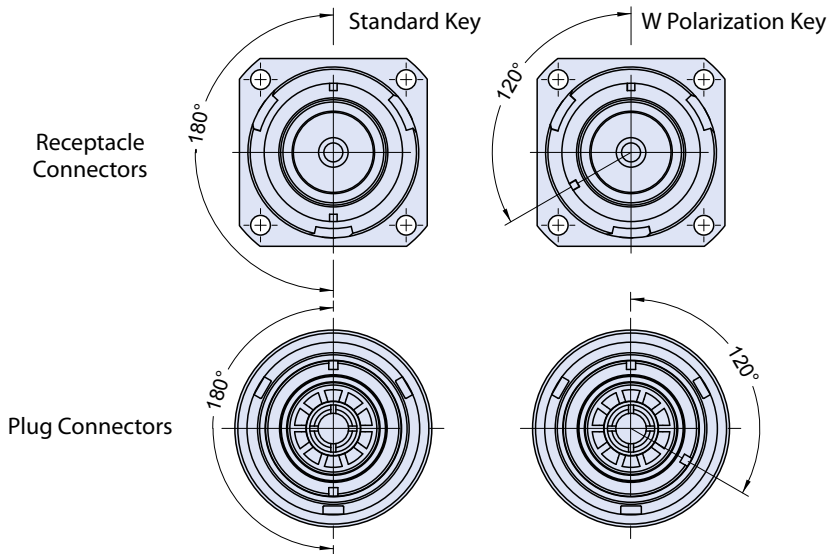
Sym	Description	RoHS
	Omit for Aluminum/Cadmium Olive Drab	
TZ	Tin-Zinc	✓
F7	Aluminum/ Black Zinc Nickel	✓
F11	Aluminum/ Electroless Nickel	✓
MB	Marine Bronze/ Unplated	✓
FK	Stainless Steel/ Passivate	✓

IGE 6E ... B-14 MB
Straight Plug Connector with Grounding Fingers
and Adapter for EMI/RFI Braid and Shrink Boot



TABLE I: DIMENSIONS

Cable mm ²	Size	D1 Max	D2 Max	D3 Max	D4 Min	D5 Max	K	L1 Max	L2 Max	L3 Min	L4 ±0.7	Weight for Alloy Version (gr. max)
25	16	32.0	24.1	26.0	15.5	32.0	26	70	45.6	8	1.0	80
50	18	36.5	28.8	32.0	20.0	36.5	32	76	51.1	6	1.0	156
95	22	43.1	34.1	37.0	25.5	46.0	38	86	61.0	9	1.0	204
150	28	53.5	40.7	44.0	32.0	53.0	50	98	71.7	9	1.0	300
240	32	60.1	47.3	51.6	38.0	60.0	52	98	70.7	12	2.0	450



Alternate Keyway Positions

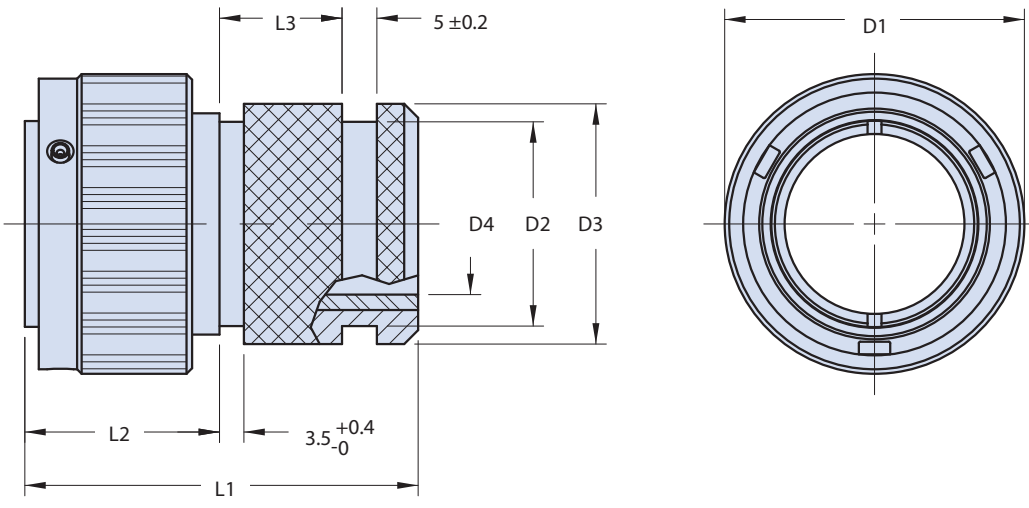
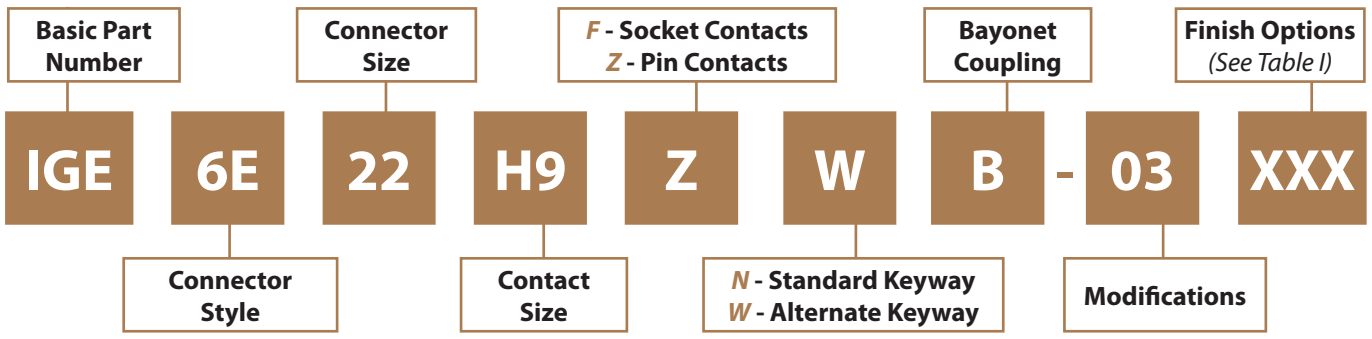
To avoid mismatching, connectors are available with keyway in two different positions as shown below:

N: 180°

W: 120°



IGE 6E ... B-03 MB Straight Plug Connector with Shrink Boot Adapter



APPLICATION NOTES

1. Straight plug connector with grounding fingers and adapter for EMI/RFI braided shielding termination and shrink boot.
2. Material/Finish:
Shell - Aluminum alloy/olive drab passivation.
Insert - PTFE (Teflon)/N.A.
Contact - Copper alloy/silver plating (See pages A-7 and A-8 for additional contact information).
3. All dimensions are metric unless otherwise noted.

TABLE I: FINISH OPTIONS

Sym	Description	RoHS
	Omit for Aluminum/Cadmium Olive Drab	
TZ	Tin-Zinc	✓
F7	Aluminum/ Black Zinc Nickel	✓
F11	Aluminum/ Electroless Nickel	✓
MB	Marine Bronze/ Unplated	✓
FK	Stainless Steel/ Passivate	✓

IGE 6E ... B-03 MB
Straight Plug Connector with Shrink Boot Adapter

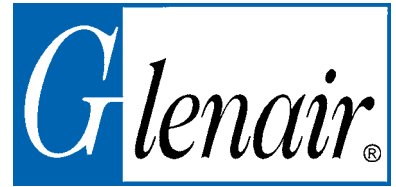
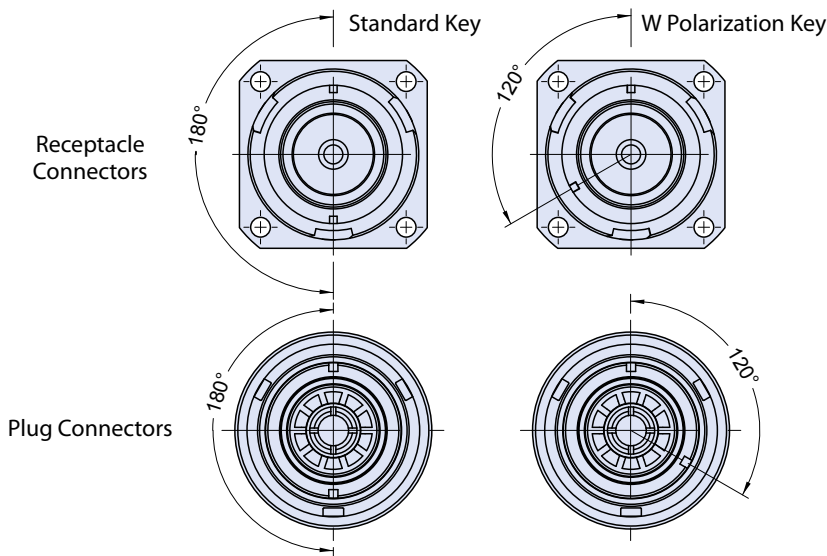


TABLE I: DIMENSIONS

Cable mm ²	Size	D1 Max	D2 Max	D3 Max	D4 Min	L1 Max	L2 Max	L3 Opt	Weight for Alloy Version (gr. max)
25	16	32.0	20.3	22.7	14.0	44	25	-	115
50	18	36.5	25.8	28.4	19.0	53	33	-	185
95	22	43.1	31.5	35.3	23.9	57	37	13.3	250
150	28	53.5	41.3	44.8	27.3	65	37	18.0	460
240	32	60.1	46.1	49.6	32.8	65	39	15.0	540



Alternate Keyway Positions

To avoid mismatching, connectors are available with keyway in two different positions as shown below:

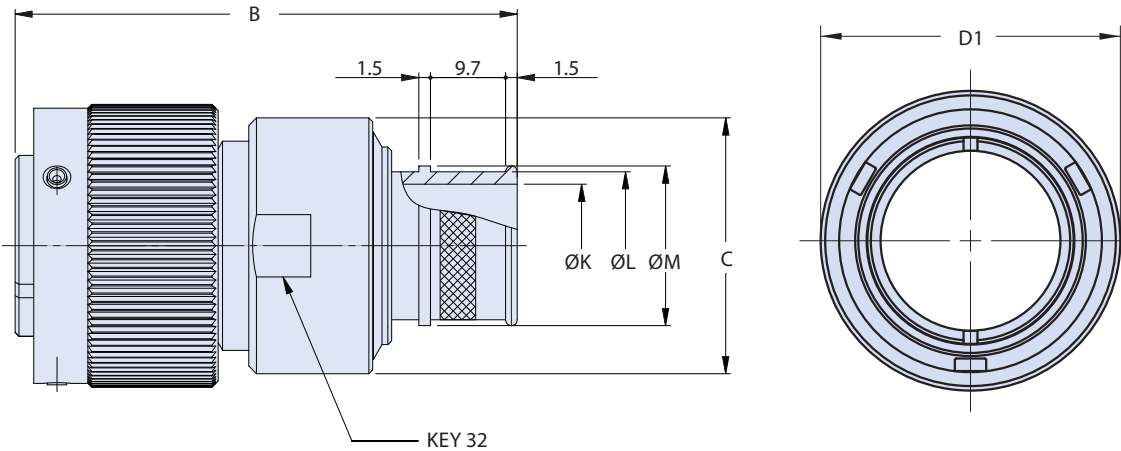
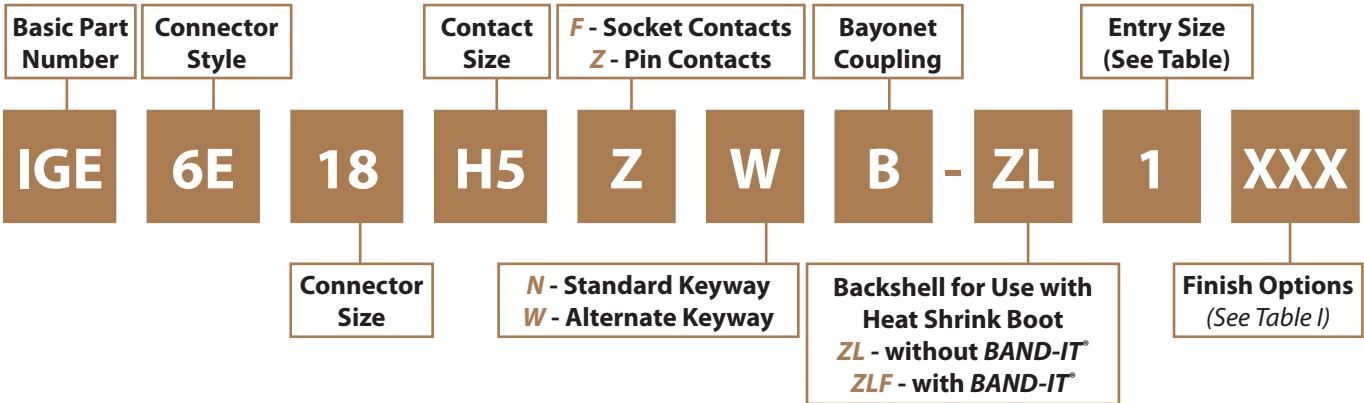
N: 180°

W: 120°





IGE 6E ... ZL Straight Plug Connector with BAND-IT Backshell



APPLICATION NOTES

1. Straight plug connector with adapter for EMI/RFI braided shield using stainless steel BAND-IT® band and shrink boot.
2. Standard Material/Finish:
Shell - Aluminum alloy/olive drab passivation.
Insert - PTFE (Teflon)/N.A.
Contact - Copper alloy/silver plating (See pages A-7 and A-8 for additional contact information).
3. All dimensions are metric unless otherwise noted.

TABLE I: FINISH OPTIONS

Sym	Description	RoHS
	Omit for Aluminum/Cadmium Olive Drab	
TZ	Tin-Zinc	✓
F7	Aluminum/ Black Zinc Nickel	✓
F11	Aluminum/ Electroless Nickel	✓
MB	Marine Bronze/ Unplated	✓
FK	Stainless Steel/ Passivate	✓

IGE 6E ... ZL Straight Plug Connector with BAND-IT Backshell



DIMENSIONS

Cable mm ²	Size	B Max	C ±0.2	D1 Max	ØK ±0.1	ØL ±0.1	ØM ±0.1	Entry Size ^a	Weight for Alloy Version (gr. max)
95	22	70	33	43.1	15.9	19.1	20.6	08÷11	100

a) For further entry size, please consult factory

ENTRY SIZE TABLE

Entry Size	ØK	ØL	ØM
01	3.2	6.4	7.9
02	4.8	7.9	9.5
03	6.4	9.5	11.1
04	7.9	11.1	12.7
05	9.5	12.7	14.3
06	11.1	14.3	15.8
07	12.7	15.9	17.4
08	14.3	17.5	19.1
09	15.9	19.1	20.6
10	17.5	20.6	22.2
11	19.1	22.2	23.8
12	20.6	23.8	25.4
13	22.2	25.4	27.0
14	23.8	27.0	28.5
15	25.4	28.6	30.1
16	27.0	30.2	31.8
17	28.6	31.8	33.3
18	31.8	34.9	36.5
19	34.9	38.1	39.7
20	38.1	41.3	42.8
21	41.3	44.5	46.0
22	44.5	47.6	49.2
23	47.6	50.8	52.4
24	50.8	54.0	55.5

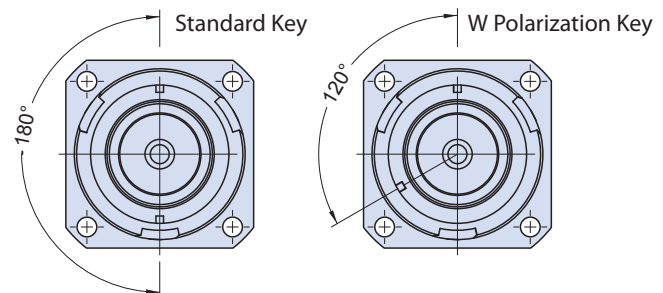
Alternate Keyway Positions

To avoid mismatching of similar connectors, VG96929 connectors are available with keyway in two different positions as shown below:

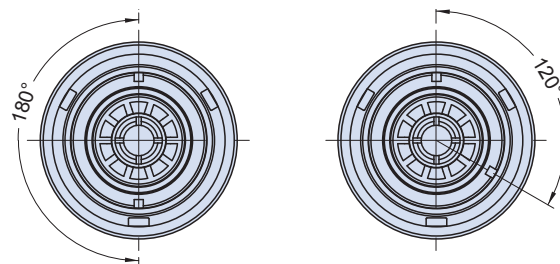
N: 180°

W: 120°

Receptacle Connectors



Plug Connectors





IGE 1E ... B-03 MB In-Line Receptacle with Shrink Boot Adapter

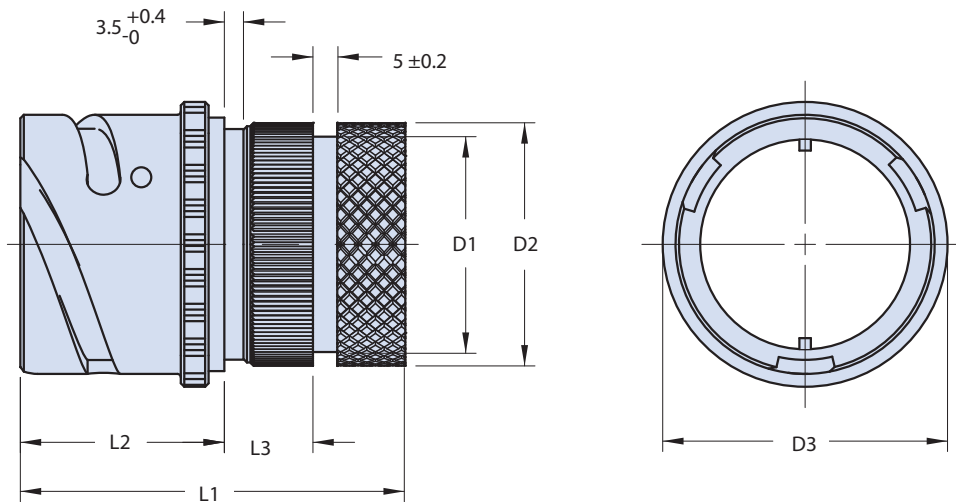
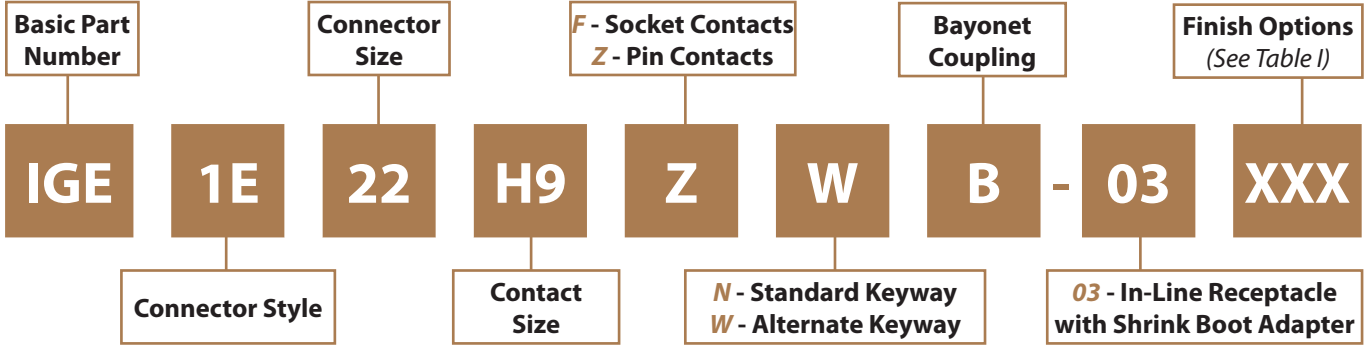


TABLE I: FINISH OPTIONS

APPLICATION NOTES

- In-line receptacle with shrink boot adapter.
- Material/Finish:
Shell - Aluminum alloy/olive drab passivation.
Insert - PTFE (Teflon)/N.A.
Contact - Copper alloy/silver plating (See pages A-7 and A-8 for additional contact information).
- All dimensions are metric unless otherwise noted.

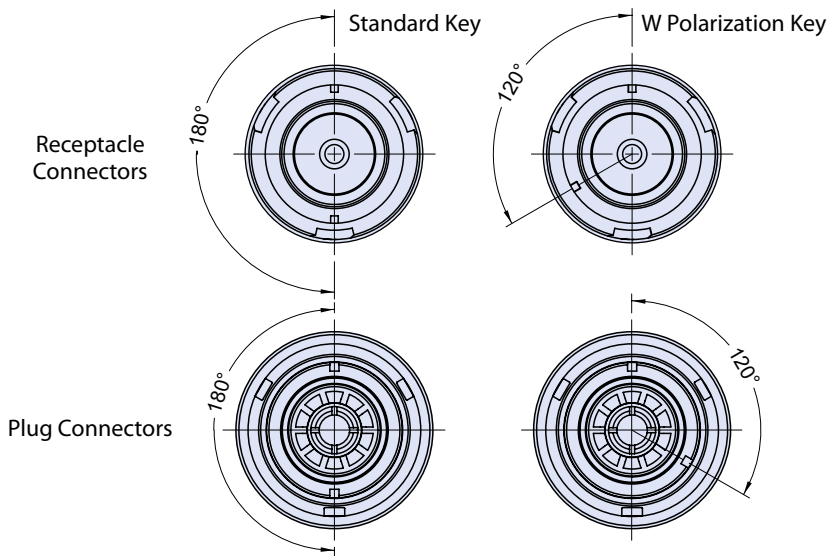
Sym	Description	RoHS
	Omit for Aluminum/Cadmium Olive Drab	
TZ	Tin-Zinc	✓
F7	Aluminum/ Black Zinc Nickel	✓
F11	Aluminum/ Electroless Nickel	✓
MB	Marine Bronze/ Unplated	✓
FK	Stainless Steel/ Passivate	✓

IGE 1E ... B-03 MB
In-Line Receptacle with Shrink Boot Adapter



TABLE I: DIMENSIONS

Cable mm ²	Size	D1 Max	D2 Max	D3 ±0.3	L1 ±0.4	L2 ±2	L3 Opt	Weight for Alloy Version (gr. max)
25	16	20.3	22.7	32.5	41.0	29	-	50
50	18	25.8	28.4	35.0	50.0	32	-	86
95	22	31.5	35.3	41.0	54.0	34	-	127
150	28	41.3	44.8	50.8	65.3	38	18	250
240	32	46.1	49.6	57.0	66.8	39	18	305



Alternate Keyway Positions

To avoid mismatching, connectors are available with keyway in two different positions as shown below:

N: 180°

W: 120°



IGE 1E ... B-14
In-Line Receptacle with Adapter for
EMI/RFI Braided Shield and Shrink Boot

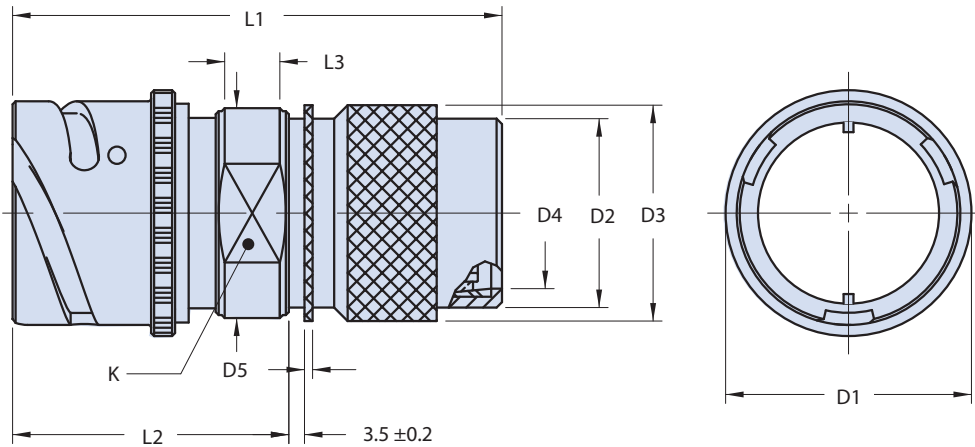
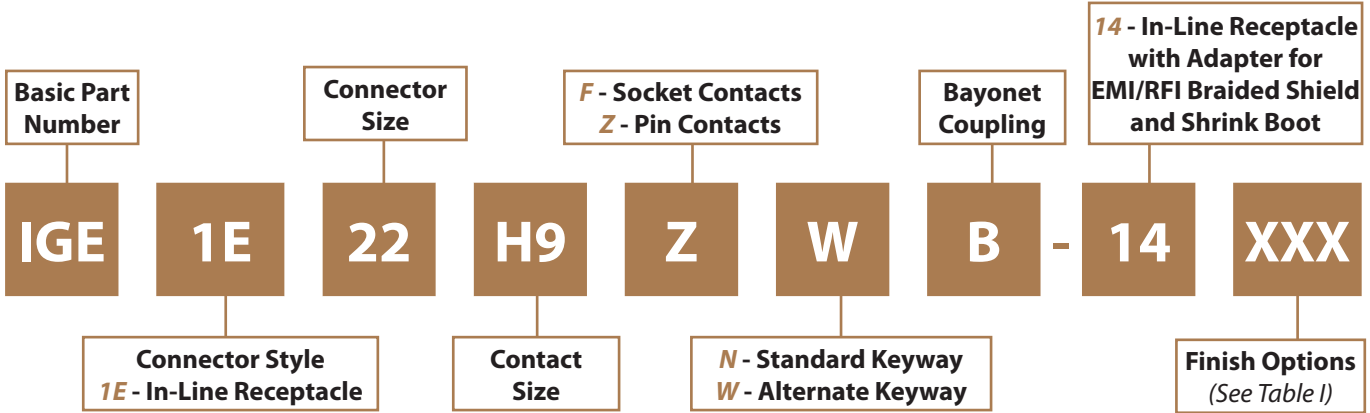


TABLE I: FINISH OPTIONS

Sym	Description	RoHS
	Omit for Aluminum/Cadmium Olive Drab	
TZ	Tin-Zinc	✓
F7	Aluminum/ Black Zinc Nickel	✓
F11	Aluminum/ Electroless Nickel	✓
MB	Marine Bronze/ Unplated	✓
FK	Stainless Steel/ Passivate	✓

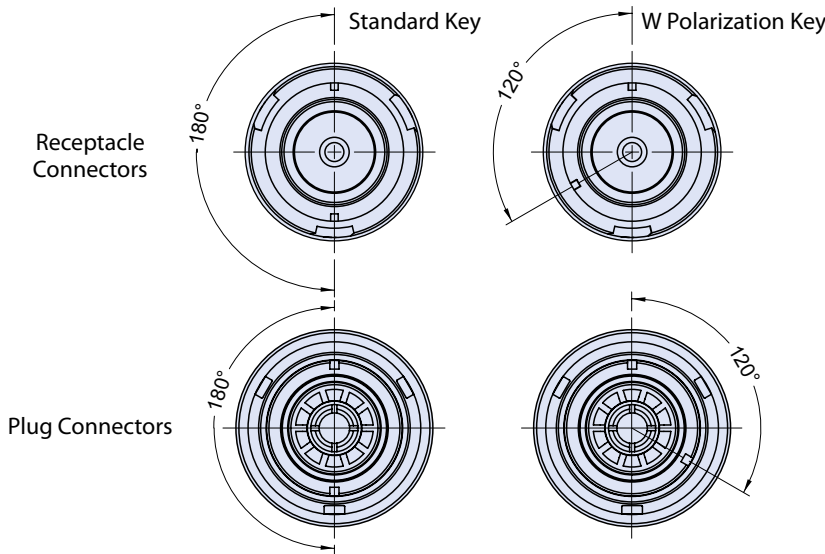
APPLICATION NOTES
1. In-Line Receptacle with adapter for EMI/RFI braided shield and shrink boot.
2. Standard Material/Finish: Shell, adapter and coupling nut - Aluminum alloy/olive drab passivation. Insert - PTFE (Teflon)/N.A. Contact - Copper alloy/silver plating (See pages A-7 and A-8 for additional contact information).
3. All dimensions are metric unless otherwise noted.

IGE 1E ... B-14
In-Line Receptacle with Adapter for
EMI/RFI Braided Shield and Shrink Boot



TABLE I: DIMENSIONS

Cable mm ²	Size	D1 ±0.3	D2 max	D3 max	D4 min	D5 max	K	L1 max	L2 max	L3 min	L4 ±0.7	Weight for Alloy Version (gr. max)
25	16	32.0	24.1	26.0	15.5	32.0	26	70	45.6	8	1.0	80
50	18	35.0	28.8	32.0	20.0	36.5	32	76	51.1	6	1.0	156
95	22	41.0	34.1	37.0	25.5	46.0	38	86	61.0	9	1.0	204
150	28	50.8	40.7	44.0	32.0	53.0	50	98	71.7	9	1.0	300
240	32	57.0	47.3	51.6	38.0	60.0	52	98	70.7	12	2.0	450



Alternate Keyway Positions

To avoid mismatching, connectors are available with keyway in two different positions as shown below:

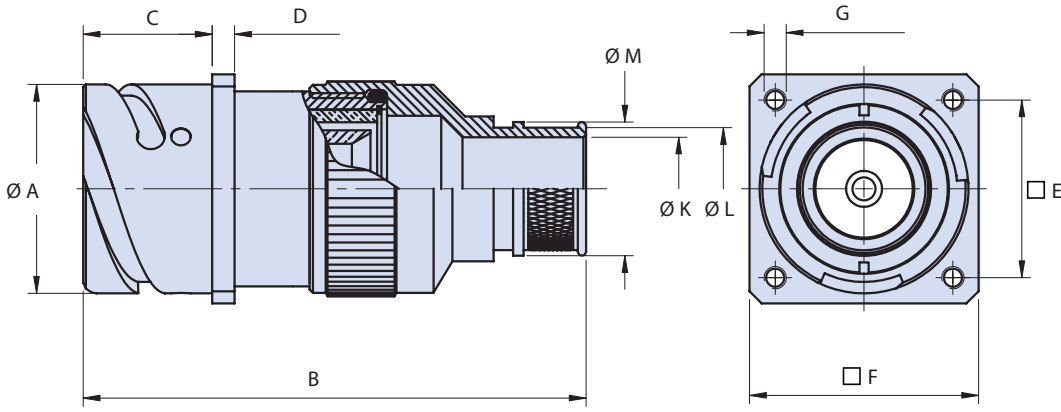
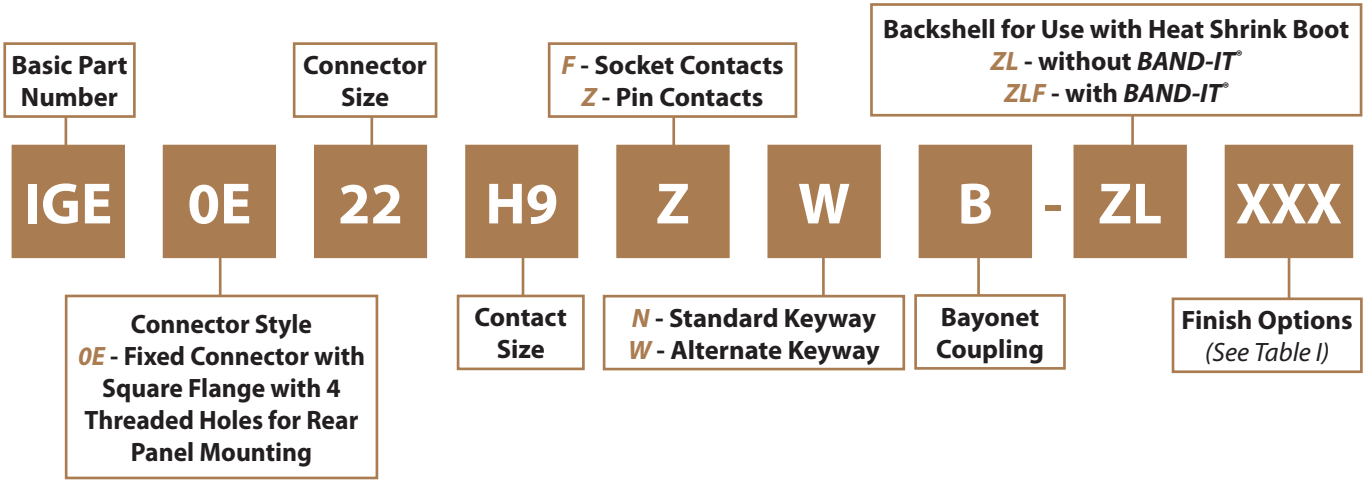
N: 180°

W: 120°



IGE 0E ... ZL

Square Flange Rear Panel Mount Receptacle with BAND-IT Backshell



APPLICATION NOTES

- Square flange rear mounted receptacle with adapter for EMI/RFI braided shield using stainless steel BAND-IT® band and shrink boot.
- Standard Material/Finish:
 Shell - Aluminum alloy/olive drab passivation.
 Insert - PTFE (Teflon)/N.A.
 Contact - Copper alloy/silver plating (See pages A-7 and A-8 for additional contact information).
- All dimensions are metric unless otherwise noted.

TABLE I: FINISH OPTIONS

Sym	Description	RoHS
	Omit for Aluminum/Cadmium Olive Drab	
TZ	Tin-Zinc	✓
F7	Aluminum/ Black Zinc Nickel	✓
F11	Aluminum/ Electroless Nickel	✓
MB	Marine Bronze/ Unplated	✓
FK	Stainless Steel/ Passivate	✓

IGE 0E ... ZL
Square Flange Rear Panel Mount Receptacle
with BAND-IT Backshell



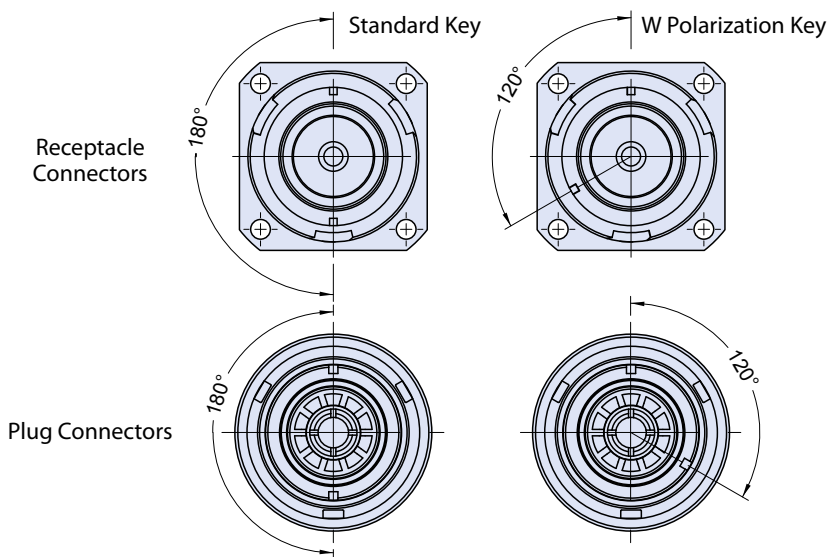
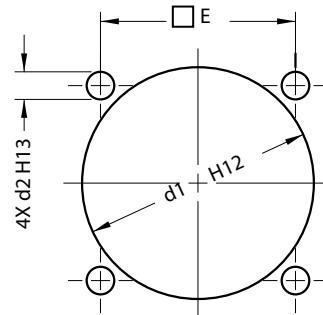
TABLE I: DIMENSIONS

Cable mm ²	Size	ØA 0 / -0.1	B Max	C ±0.2	D ±0.2	□E ±0.1	□F ±0.2	G Thread	ØK ±0.1	ØL ±0.1	ØM ±0.1	Weight for Alloy Version (gr. max)
95	22	37.4	90	23.05	4.0	31.8	41.0	M4	19.0	21.7	23.3	170

Please consult the factory for additional sizes.

PANEL CUT-OUT

Size	d1	d2	□E
22	37.8	4.5	31.8



Alternate Keyway Positions

To avoid mismatching, connectors are available with keyway in two different positions as shown below:

N: 180°

W: 120°



IGE 6E ... 16 Straight Plug with Threaded Contact Terminal

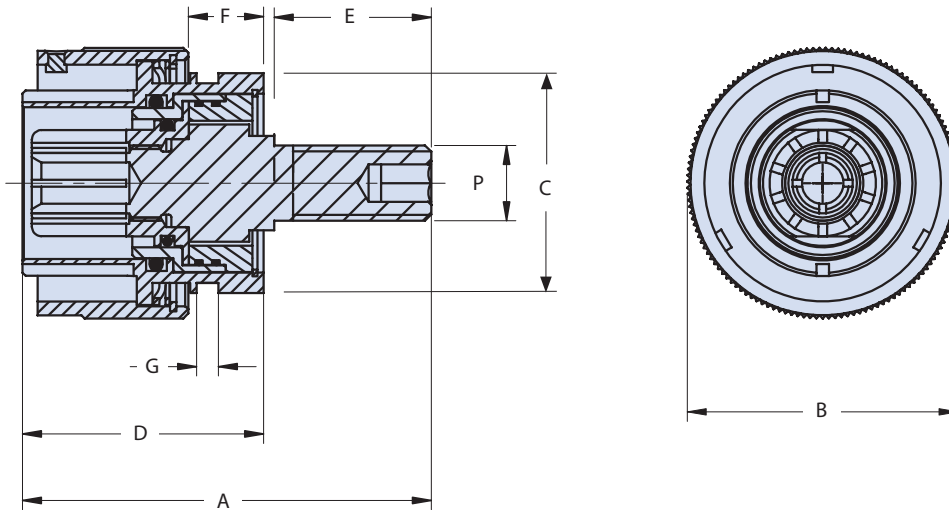
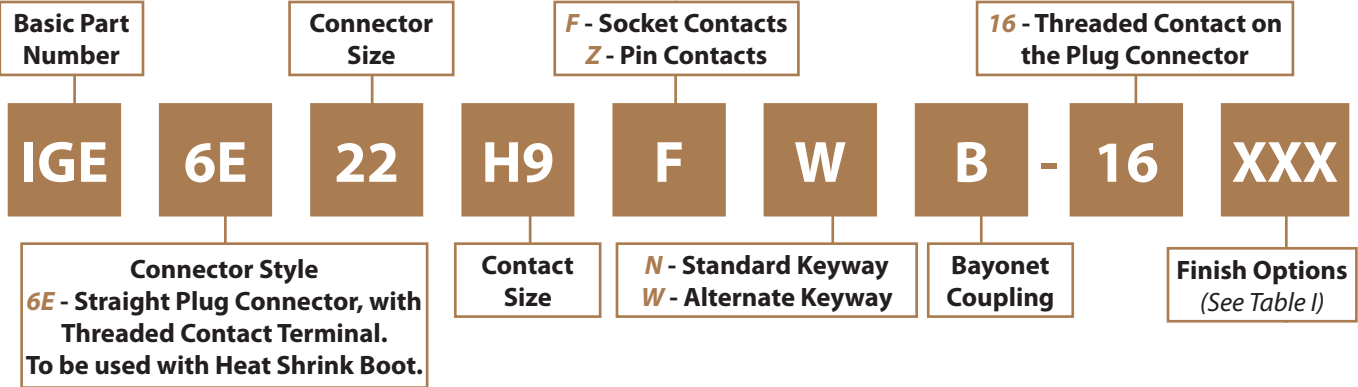


TABLE I: FINISH OPTIONS

APPLICATION NOTES	
1.	Straight plug connector with threaded contact terminal.
2.	Standard Material/Finish: Shell - Aluminum alloy/olive drab passivation. Insert - PTFE (Teflon)/N.A. Contact - Copper alloy/silver plating (See pages A7 and A8 for additional contact information).
3.	All dimensions are metric unless otherwise noted.

Sym	Description	RoHS
	Omit for Aluminum/Cadmium Olive Drab	
TZ	Tin-Zinc	✓
F7	Aluminum/ Black Zinc Nickel	✓
F11	Aluminum/ Electroless Nickel	✓
MB	Marine Bronze/ Unplated	✓
FK	Stainless Steel/ Passivate	✓

IGE 6E ... 16

Straight Plug with Threaded Contact Terminal

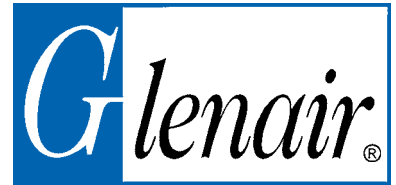
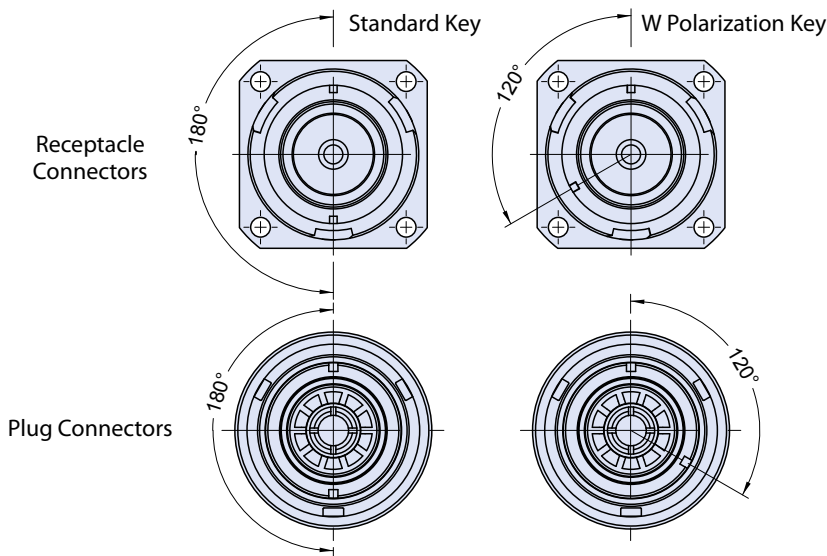


TABLE I: DIMENSIONS

Cable mm ²	Size	A ±0.5	B Max	C Max	D ±0.1	E ±0.1	F ±0.1	G ±0.1	P Thread	Weight for Alloy Version (gr. max)
95	22	65.5	43.2	36.0	38.5	25.0	12.0	3.5	M12	300
150	28	60.1	53.5	43.0	38.1	20.0	10.0	3.5	M12	450
240	32	75.0	60.1	49.5	42.5	30.0	11.0	3.5	M16	550

Please consult the factory for additional sizes.



Alternate Keyway Positions

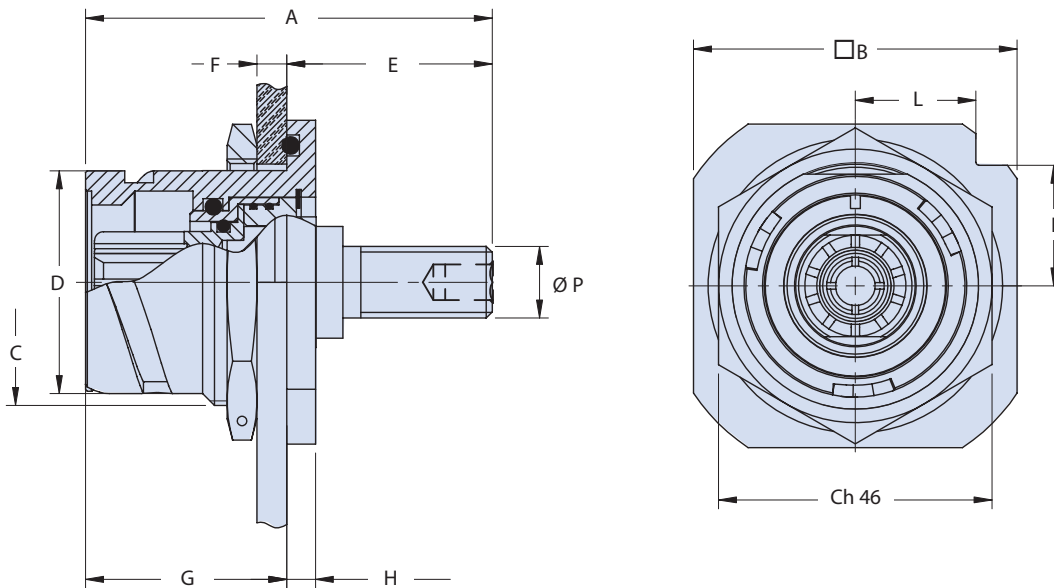
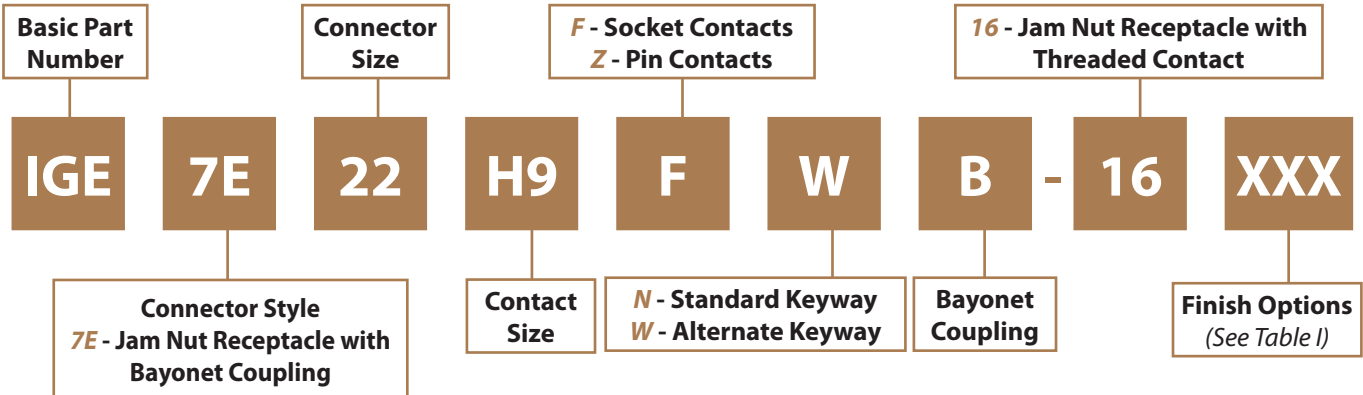
To avoid mismatching, connectors are available with keyway in two different positions as shown below:

N: 180°

W: 120°



IGE 7E Jam Nut Receptacle with Threaded Contact Terminal



APPLICATION NOTES
1. Jam nut receptacle with threaded contact terminal.
2. Standard Material/Finish: Shell, adapter and coupling nut - Aluminum alloy/olive drab passivation. Insert - PTFE (Teflon)/N.A. Contact - Copper alloy/silver plating (See pages A-7 and A-8 for additional contact information).
3. All dimensions are metric unless otherwise noted.

TABLE I: FINISH OPTIONS

Sym	Description	RoHS
	Omit for Aluminum/Cadmium Olive Drab	
TZ	Tin-Zinc	✓
F7	Aluminum/ Black Zinc Nickel	✓
F11	Aluminum/ Electroless Nickel	✓
MB	Marine Bronze/ Unplated	✓
FK	Stainless Steel/ Passivate	✓

IGE 7E Jam Nut Receptacle with Threaded Contact Terminal



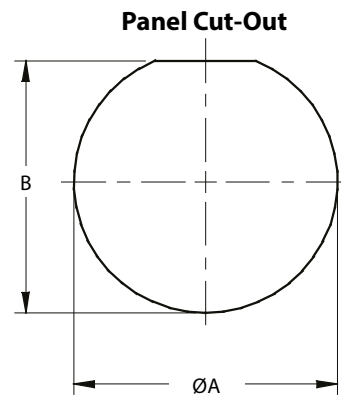
TABLE I: DIMENSIONS

Cable mm ²	Size	ØA ±0.1	□B ±0.2	P Metric Thread	C Inches	ØD 0 / -0.1	E ±0.1	F ±0.2	G ±0.2	H ±0.2	L ±0.1	Ch	Weight for Alloy Version (gr. max)
95	22	68.0	54.0	M12	1 5/8 - 18	37.4	34.0	2.4 ÷ 9.1	33.7	4.8	20.0	Ch 46	150

Please consult the factory for additional sizes.

PANEL CUT-OUT DIMENSIONS

Size	ØA ±0.1	B ±0.2
22	41.45	40.05

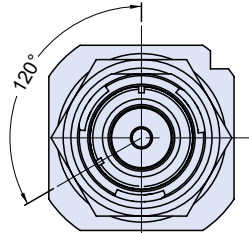
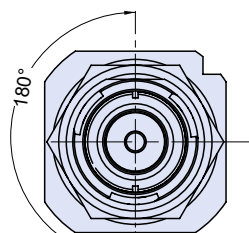


C

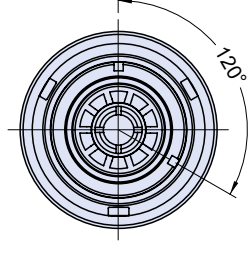
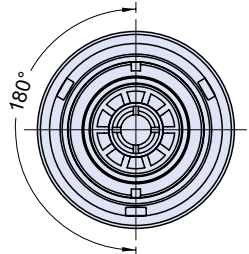
Standard Key

W Polarization Key

Receptacle Connectors



Plug Connectors



Alternate Keyway Positions

To avoid mismatching, connectors are available with keyway in two different positions as shown below:

N: 180°

W: 120°

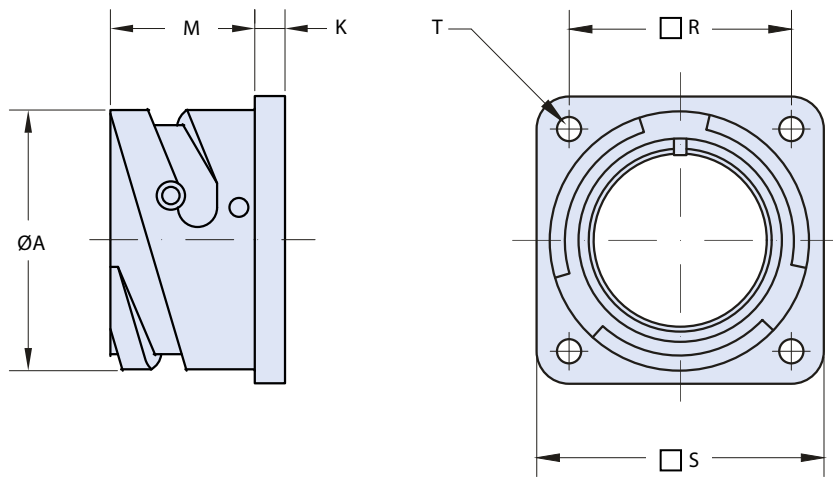
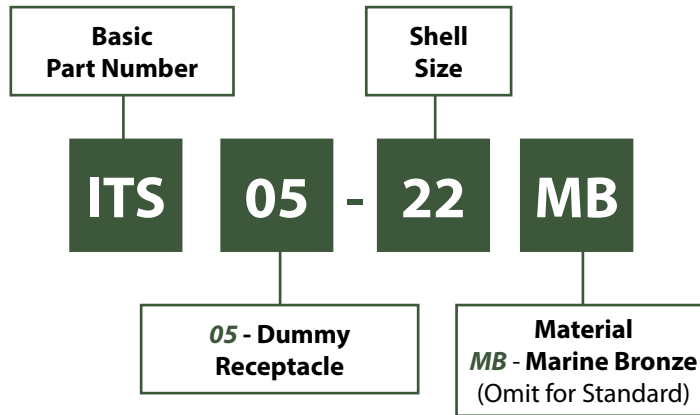


TABLE I: DIMENSIONS

Part Number	Shell Size	ØA +0 -0.1	K ±0.2	M +0.2 -0	□R ±0.1	□S +0.2	ØT +0.1 -0	Weight (gr. max)
ITS 05-16	16	27.2	3.3	14.5	24.60	32.5	3.2	25
ITS 05-18	18	30.7	4.0	19.1	27.00	35.0	3.2	35
ITS 05-22	22	37.3	4.0	19.6	31.75	41.0	3.2	45
ITS 05-28	28	46.7	4.0	20.7	39.70	50.9	3.7	60
ITS 05-32	32	53.4	4.0	22.3	44.5	57.0	4.3	70

Application Notes

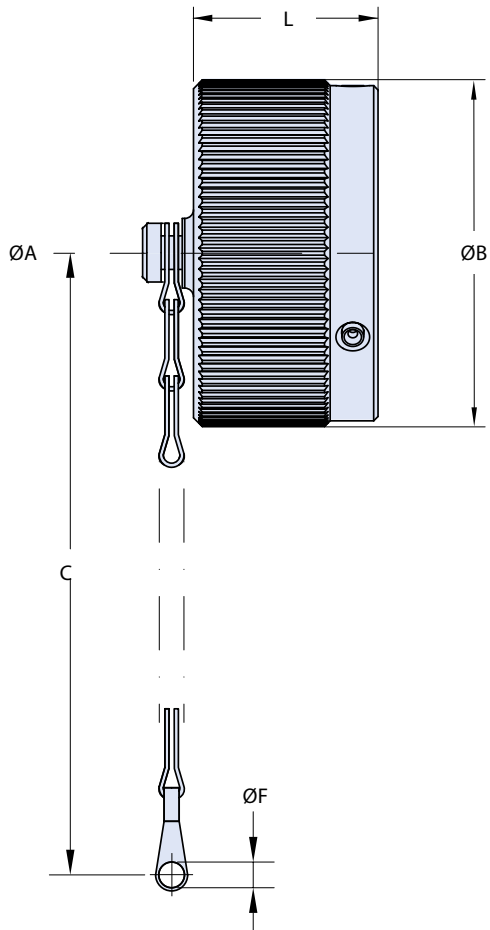
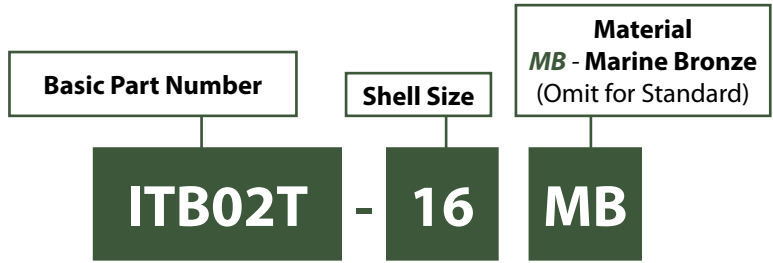
1. Dummy receptacle to protect the plug connector when not in use.
2. Standard Material/Finish:
Shell1 - Aluminum alloy/olive drab passivation.
3. All dimensions are metric unless otherwise noted.

ITB02T

Receptacle Connector Cap with Stainless Steel Chain



VG96929
Accessories



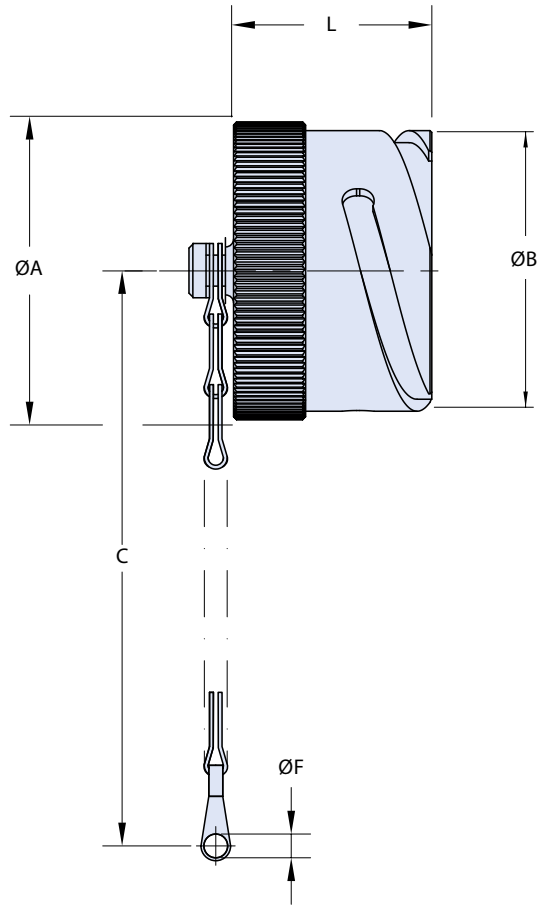
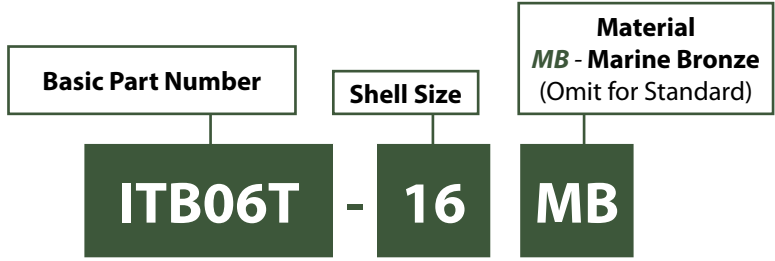
D

TABLE I: DIMENSIONS

Part Number	Shell Size	ØA max	ØB ±0.1	C min	ØF +0.2 -0	L max	Weight (gr. max)
ITB02T-16	16	32.5	31.6	108	4.3	15.5	20
ITB02T-18	18	36.4	35.1	123	4.3	21.2	25
ITB02T-22	22	43.5	41.7	123	4.3	21.2	30
ITB02T-28	28	54.0	52.0	206	5.68	21.2	40
ITB06T-32	32	60.0	58.7	206	5.6	21.2	50

Application Notes
1. Receptacle Connector Cap with stainless steel chain.
2. Standard Material/Finish: Cover - Aluminum alloy/olive drab passivation. Chain - Stainless steel/passivated.
3. All dimensions are metric unless otherwise noted.

ITB06T Plug Connector Cap with Stainless Steel Chain



D

TABLE I: DIMENSIONS

Part Number	Shell Size	ØA max	ØB ±0.1	C min	ØF +0.2 -0	L max	Weight (gr. max)
ITB06T-16	16	32.5	27.4	123	4.3	24.0	35
ITB06T-18	18	36.4	30.8	123	4.3	33.0	45
ITB06T-22	22	43.5	37.4	138	4.8	33.0	55
ITB06T-28	28	54.0	46.7	206	4.8	33.0	70
ITB06T-32	32	60.0	53.4	206	5.6	34.2	80

Application Notes

1. Plug Connector Cap with stainless steel chain.
2. Standard Material/Finish:
Cover - Aluminum alloy/olive drab passivation.
Chain - Stainless steel/passivated.
3. All dimensions are metric unless otherwise noted.

ITB07T-XX
Jam Nut Connector Cap
with Stainless Steel Chain

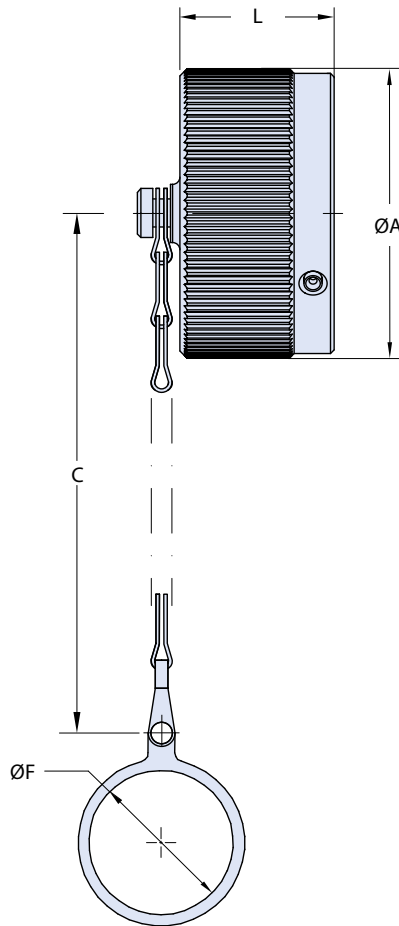
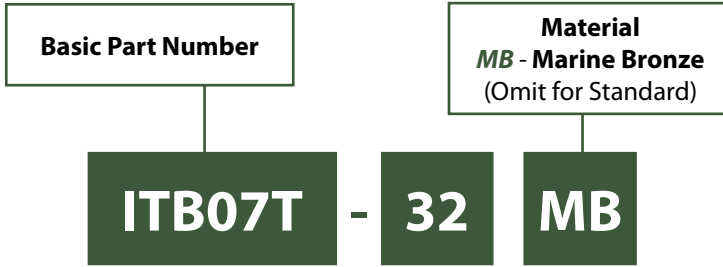


TABLE I: DIMENSIONS

Part Number	Shell Size	ØA max	C min	ØF +0.2 -0.1	L max	Weight (gr. max)
ITB07T -16	16	32.5	137	32.15	20.5	20
ITB07T -18	18	36.4	138	35.35	21.2	25
ITB07T -22	22	43.0	138	41.00	21.2	30
ITB07T -28	28	53.3	221	51.20	21.2	40
ITB07T -32	32	60.0	221	57.50	21.2	50

Application Notes

1. Metal protective cap for bayonet plug connectors with stainless steel chain.
2. Standard Material/Finish:
Cover - Aluminum alloy/olive drab passivation.
Chain - Stainless steel/passivated.
3. All dimensions are metric unless otherwise noted.





**IT 90376 ... Y/R and TP02
Protective Plastic Dust Cap
for Plug and Receptacle Connectors**

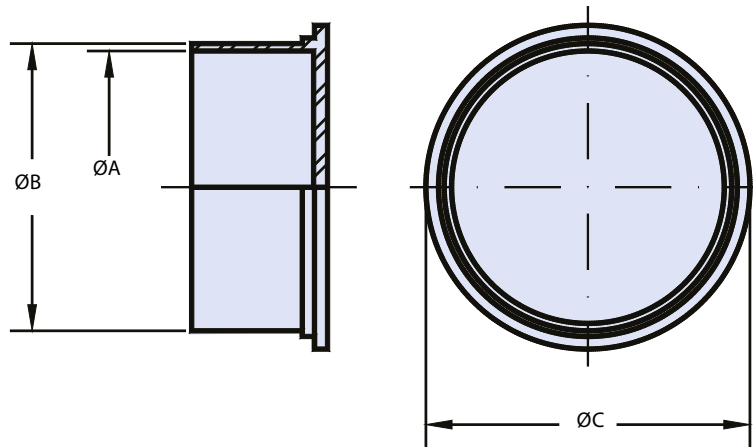


TABLE I: RECEPTACLE PLASTIC CAP DIMENSIONS

Part Number	Shell Size	ØA ±0.25	ØB ±0.25	ØC ±0.78
IT90376-18Y	16	26.11	27.63	31.75
TP02-18	18	30.40	33.15	37.00
IT90376-24R	22	37.16	38.94	43.18
TP02-28	28	46.45	49.05	52.00
TP02-32	32	53.15	55.75	60.00

TABLE II: PLUG PLASTIC CAP DIMENSIONS

Part Number	Shell Size	ØA ±0.25	ØB ±0.25	ØC ±0.78
IT90376-16R	16	23.80	29.29	30.99
IT90376-18R	18	27.76	29.34	33.78
IT90376-22R	22	34.04	35.81	40.38
IT90376-28R	28	43.56	45.46	49.53
IT90376-32R	32	49.91	51.82	56.39

Application Notes

1. Protective Plastic Dust Cap.
2. All dimensions are metric unless otherwise noted.

IT 40450-XX or IT 40450-XXS
Fixed Connector Gasket
for Square Flange Front Panel Mounting

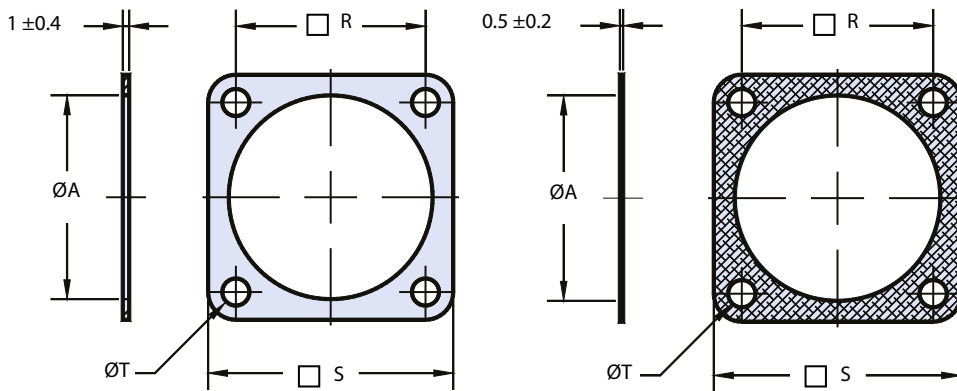
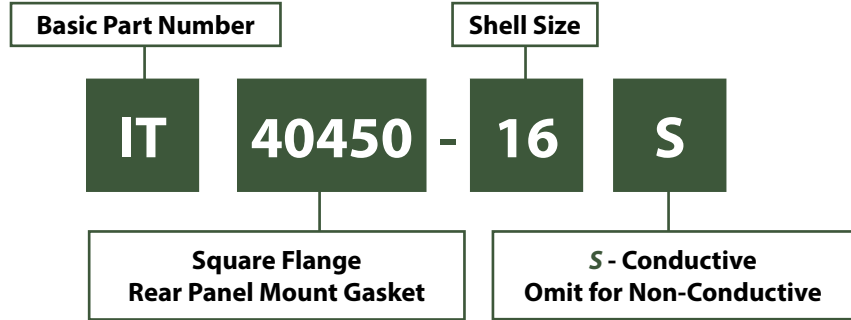


TABLE I: DIMENSIONS

Part Number	Shell Size	ØA	□R	□S	ØT
		+1	±0.2	±0.5	+0.5
IT 40450 - 16	16	25.3	24.6	32.5	4.2
IT 40450 - 18	18	28.4	27.0	35.0	4.2
IT 40450 - 22	22	34.8	31.8	41.0	4.2
IT 40450 - 28	28	44.3	39.7	50.8	5.1
IT 40450 - 32	32	50.7	44.5	57.0	5.1

Application Notes

1. Conductive or non-conductive gasket for square flange front panel mounted connectors.
2. All dimensions are metric unless otherwise noted.



IT 40460-XX or IT 40460-XXS
Fixed Connector Gasket
for Square Flange Rear Panel Mounting

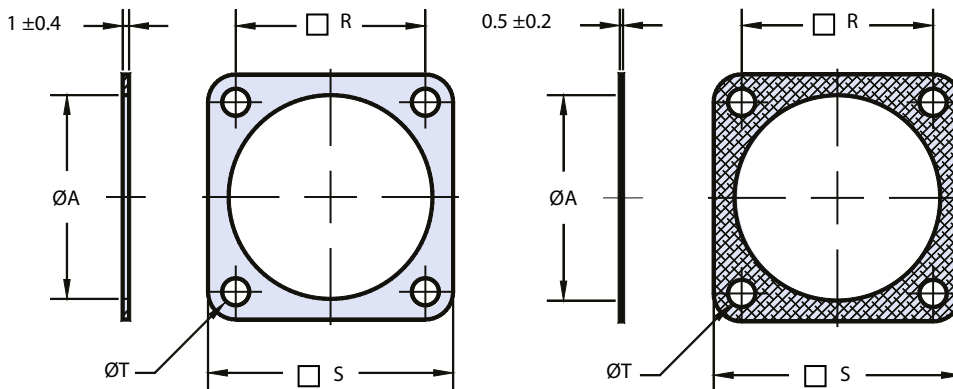
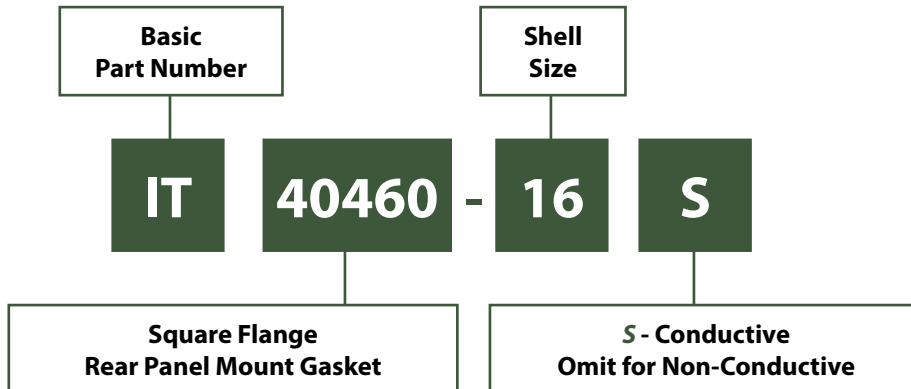


TABLE I: DIMENSIONS

Part Number	Shell Size	ØA +1	□R ±0.2	□S ±0.5	ØT +0.5
IT40460-16	16	27.4	24.6	32.5	4.2
IT40460-18	18	30.8	27.0	35.0	4.2
IT40460-22	22	37.4	31.8	41.0	4.2
IT40460-28	28	46.7	39.7	50.8	5.1
IT40460-32	32	53.4	44.5	57.0	5.1

Application Notes

1. Conductive or non-conductive gasket for square flange rear panel mounted connectors.
2. All dimensions are metric unless otherwise noted.

Other Ruggedized Electrical Power and Signal Connectors for Rail, Mass Transit, Industrial and Military Applications

Glenair manufactures a broad range of qualified electrical power and signal connectors for electrical vehicles, industrial equipment, as well as rail, mass-transit and harsh environment military applications. Many of the connector products, backshells and accessories are manufactured to comply with the MIL-DTL-5015 or MIL-DTL-26482 specifications, which include hundreds of versatile power and signal connector designs ideally suited for electrical power and signal interconnect cabling. The addition of reverse bayonet coupling to these robust military style connectors improves their reliability and mating performance in rugged, vibration and shock applications. Glenair is also able to offer many of these same connector families qualified to NATO and VG standards including VG95234 and VG95328. Specialty application connectors, such as our popular VG qualified CB connector for radio and audio applications are also available.

The Glenair Power Product Group has been manufacturing these products since 1985 in the company's facility located in Bologna, Italy. The Power Product Group factory consists of a 10.000 square meter plants in Quarto Inferiore (Granarolo dell'Emilia) which are certified to UNI EN ISO 9001, NATO AQAP110 and ISO 9001:2000, IRIS and all the existing MIL norms.

A worldwide sales and support network, including dedicated teams in Italy and the United States provides application engineering and order assistance. Glenair's worldwide network of sales and support professionals are also factory trained to support the Power Product Groups entire line of ruggedized electrical power and signal connectors, cables and power distribution products.

THE GLENAIR POWER PRODUCT GROUP LINE

ITS Connector Series

The Glenair ITS connector series is based on the MIL-DTL-5015 standard, but feature an improved reverse bayonet coupling technology in place of the threaded coupling used in MIL-DTL-5015. The 3-point bayonet coupling mechanism reduces coupling time and provides easier mating when the connector is in an awkward position. Positive locking of the three stainless steel pins provides reliable resistance to vibration and shock, and prevents connector de-coupling in even the most rugged applications such as locomotives, mass-transit cars and military vehicles. The products are qualified to the VG95234 standard. The ITS-RG Series incorporates a ruggedized outer coating of rubber for additional mechanical strength and to prevent shell damage due to rough handling.





Glenair Military and Mass Transit Signal Connectors



ITH Series

The ITH Series is most notable for its rigid inserts and crimp contacts that provide both better electrical insulation as well as reduced assembly time. The reverse bayonet ITH Series connector is also based on the MIL-DTL-5015 standard, but supports only a reduced selection of insert arrangements. All connectors in the series conform to the NATO VG95234, French (NFF 61030) and British (BS 6853) electrical standards, as well as EEC compliance directives for electromagnetic compatibility. EMI shield termination accessories are available for both overall as well as individual wire shields.



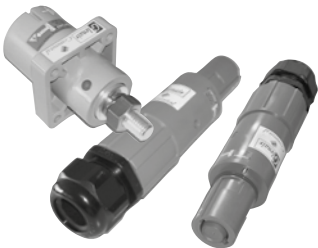
IPT and IPT SE Bayonet-Lock Connectors

The Glenair IPT series is built in accordance with MIL-C-26482 and is applied in countless applications where reliability and miniaturization are required. Used in military applications, the IPT series features reliable coupling and a complete range of backshell accessories. A VG qualified version of the product, VG95328 is also available.



IGE Series Connectors

Our IGE series connector delivers outstanding performance in high-current power applications, mainly in military systems such as ground-vehicle support. IGE series connectors are used for the transmission of high currents with low voltage such as is required in military vehicles or industrial equipment. The connector uses a unipolar contact junction with high performance dielectric materials. Several O-rings inside and outside the connectors provide watertightness up to 1 bar, while the bayonet coupling system avoids accidental unmatings in high-vibration applications.



UniPower™ Single Pole Connectors

UniPower™ is a single pole electrical connector used by the entertainment, construction and power utility industries for temporary high current applications. Glenair UniPower™ Power Distribution Connectors provide safe and reliable power distribution connections, typically in threephase or other polyphase power distribution systems. CE Approved for use in Europe only. Consult factory for other regional approvals.



CB Series "PogoPin" Connectors

The Glenair CB connector is designed to address audio equipment and field radio interconnect requirements in military and other demanding applications. The ultra-miniature reverse bayonet connector utilizes spring-loaded, wiping contacts that ensure reliable electrical and environmental performance with each mating. The product is qualified to the VG95351 and VG96934 standards.

IT Connector Series

The Glenair IT series conforms to the MIL-DTL-5015 threaded-coupling connector standard for power and signal applications in both industrial and military applications. Insert arrangements from 1 to 150 contacts, with contact sizes from 20 awg to 4/0 awg are available. These connectors are intermateable with other industry standard MIL-DTL-5015 connector families. A wide range of connector backshells and accessories are available, including protective covers for both plugs and receptacles.



ITZ Series Connectors

The need for a threaded MIL-DTL-5015 type connector with an improved double-start stub ACME style thread profile led to the development of the Glenair ITZ connector series. Available in the complete range of 5015 insert arrangements, this connector family offers faster and more reliable coupling than standard, fine-thread MIL-DTL-5015 connectors.



CSOX

CSOX is a worldwide standard for the connection of lighting equipment in the show-business field.

VG95234 (German Military BWB)

The VG95234 is the German military BWB standard equivalent of our commercial ITS reverse bayonet connector. As with the ITS, the series is based on the MIL-DTL-5015 standard, but feature an improved reverse bayonet coupling. The 3-point bayonet mechanism reduces coupling time and provides easier mating when the connector is in an awkward position. Positive locking of the three stainless steel pins provides reliable resistance to vibration and shock, and prevents connector de-coupling in even the most rugged applications such as military vehicles.



VG95328 Qualified Bayonet-Lock Connectors

The Glenair Series VG95328 Bayonet-Lock Signal Connector is ideally suited for all general and environmental applications that require a high-performance military type cylindrical connector with crimp-removable contacts. Qualified to VG95328, the bayonet mechanism provides fast and easy coupling, especially when the connector is situated in an awkward or hard to reach location.





VG96929 Bayonet-Lock Connectors Part Number Index

Product Description	Page
VG96929 Interactive Catalogue Section Index Table of Contents	1
VG96929 Single Pole Power Connectors Product Line Overview	A-1
VG96929 Single Pole Power Connectors Applications	A-2
VG96929 Single Pole Power Connectors Available Components	A-3
VG96929/Series IGE Single Pole Power Connectors Cross Reference and Exploded View	A-4
VG96929 Single Pole Power Connectors Technical Data	A-5
VG96929 Single Pole Power Connectors Contact Dimensions, Crimping Tools and Alternate Keyway Positions	A-6
VG96929 Single Pole Power Connectors Panel Cut-Out and Thickness Dimensions	A-7
VG96929 Single Pole Power Connectors How to Order	A-8
Glenair Series IGE Commercial Product Line How to Order	A-9
VG96929 A1 Square Flange Rear Panel Mount Receptacle	B-1
VG96929 A1 Square Flange Rear Panel Mount Receptacle	B-2
VG96929 A2 Square Flange Front Panel Mount Receptacle with Set Screw Termination	B-3
VG96929 A2 Square Flange Front Panel Mount Receptacle with Set Screw Termination	B-4
VG96929 B1 Square Flange Rear Panel Wall Mount Receptacle with Shrink Boot Adapter	B-5
VG96929 B1 Square Flange Rear Panel Wall Mount Receptacle with Shrink Boot Adapter	B-6
VG96929 E 90° Plug Connector with Grounding Fingers and Adapter for EMI/RFI Braid and Shrink Boot	B-7
VG96929 E 90° Plug Connector with Grounding Fingers and Adapter for EMI/RFI Braid and Shrink Boot	B-8
VG96929 F Straight Plug Connector with Grounding Fingers and Adapter for EMI/RFI Braid and Shrink Boot	B-9
VG96929 F Straight Plug Connector with Grounding Fingers and Adapter for EMI/RFI Braid and Shrink Boot	B-10
VG96929 G Straight Plug Connector with Shrink Boot Adapter	B-11
VG96929 G Straight Plug Connector with Shrink Boot Adapter	B-12
IGE 2E ... B-04 MB Square Flange Panel Mount Receptacle with Crimp Contacts	C-1
IGE 2E ... B-04 MB Square Flange Panel Mount Receptacle with Crimp Contacts	C-2
IGE 2E ... B-16 MB Square Flange Panel Mount Receptacle with Threaded Contact Terminal	C-3
IGE 2E ... B-16 MB Square Flange Panel Mount Receptacle with Threaded Contact Terminal	C-4
IGE 0E ... B-03 MB Square Flange Rear Panel Mount Receptacle with Shrink Boot Adapter	C-5
IGE 0E ... B-03 MB Square Flange Rear Panel Mount Receptacle with Shrink Boot Adapter	C-6
IGE 9E ... X-B MB & IGE 9EFP ... X-B MB Square Flange Feed-Thru Receptacle with Threaded or Through Mounting Holes	C-7
IGE 9E ... X-B MB & IGE 9EFP ... X-B MB Square Flange Feed-Thru Receptacle with Threaded or Through Mounting Holes	C-8
IGE 8E ... B-14 MB 90° Plug Connector with Grounding Fingers and Adapter for EMI/RFI Braid and Shrink Boot	C-9
IGE 8E ... B-14 MB 90° Plug Connector with Grounding Fingers and Adapter for EMI/RFI Braid and Shrink Boot	C-10
IGE 8E ... ZL MB 90° Plug Connector with Grounding Fingers and BAND-IT Backshell	C-11
IGE 8E ... ZL MB 90° Plug Connector with Grounding Fingers and BAND-IT Backshell	C-12
IGE 6E ... B-14 MB Straight Plug Connector with Grounding Fingers and Adapter for EMI/RFI Braid and Shrink Boot	C-13
IGE 6E ... B-14 MB Straight Plug Connector with Grounding Fingers and Adapter for EMI/RFI Braid and Shrink Boot	C-14
IGE 6E ... B-03 MB Straight Plug Connector with Shrink Boot Adapter	C-15
IGE 6E ... B-03 MB Straight Plug Connector with Shrink Boot Adapter	C-16
IGE 6E ... ZL MB Straight Plug Connector with BAND-IT Backshell	C-17
IGE 6E ... ZL MB Straight Plug Connector with BAND-IT Backshell	C-18

VG96929 Bayonet-Lock Connectors Part Number Index



Product Description	Page
IGE 1E ... B-03 MB In-Line Receptacle with Shrink Boot Adapter	C-19
IGE 1E ... B-03 MB In-Line Receptacle with Shrink Boot Adapter	C-20
IGE 1E ... B-14 In-Line Receptacle with Adapter for EMI/RFI Braided Shield and Shrink Boot	C-21
IGE 1E ... B-14 In-Line Receptacle with Adapter for EMI/RFI Braided Shield and Shrink Boot	C-22
IGE 0E ... ZL Square Flange Rear Panel Mount Receptacle with BAND-IT Backshell	C-23
IGE 0E ... ZL Square Flange Rear Panel Mount Receptacle with BAND-IT Backshell	C-24
IGE 6E ... 16 Straight Plug with Threaded Contact Terminal	C-25
IGE 6E ... 16 Straight Plug with Threaded Contact Terminal	C-26
IGE 7E Jam Nut Receptacle with Threaded Contact Terminal	C-27
IGE 7E Jam Nut Receptacle with Threaded Contact Terminal	C-28
ITS 05 - XX Dummy Stowage Receptacle	D-1
ITS 05 - XX Dummy Stowage Receptacle	D-2
ITB 02T Receptacle Connector Cap with Stainless Steel Chain	D-3
ITB 06T Plug Connector Cap with Stainless Steel Chain	D-4
ITB 07T Jam Nut Connector Cap with Stainless Steel Chain	D-5
IT 90376 ... Y/R and TP02 Protective Plastic Dust Cover for Plug or Receptacle Connectors	D-6
IT 40450-XX or IT 40450-XXS Fixed Connector Gasket for Square Flange Front Panel Mounting	D-7
IT 40460-XX or IT 40460-XXS Fixed Connector Gasket for Square Flange Rear Panel Mounting	D-8
Glenair Military and Mass Transit Signal Connectors	E-1
Glenair Military and Mass Transit Signal Connectors	E-2
Glenair Military and Mass Transit Signal Connectors	E-3
VG96929 Bayonet-Lock Connectors Part Number Index	F-1

Why Choose **GLENAIR?**



Plenty of Raw Materials!



Outstanding
Customer Service!



In-House Assembly!



Abundant Machining Capacity!



Huge "Same-Day" Inventory!



One of North America's
and Machining



High-Production Injection Molding Equipment



State-of-the-Art Plating Capabilities



The Industry's Most Experienced EMI/RFI Braided Shielding Specialists



Largest CNC Milling Installations



Clean Rooms for Filter Array and Printed Circuit Board Assembly

Glenair

INNOVATION

Performance • Durability • Ease of Use



Geo-Marine®

Band-Master™ ATS

Well-Master™ 260°



SAV-CON®
CONNECTOR SAVERS

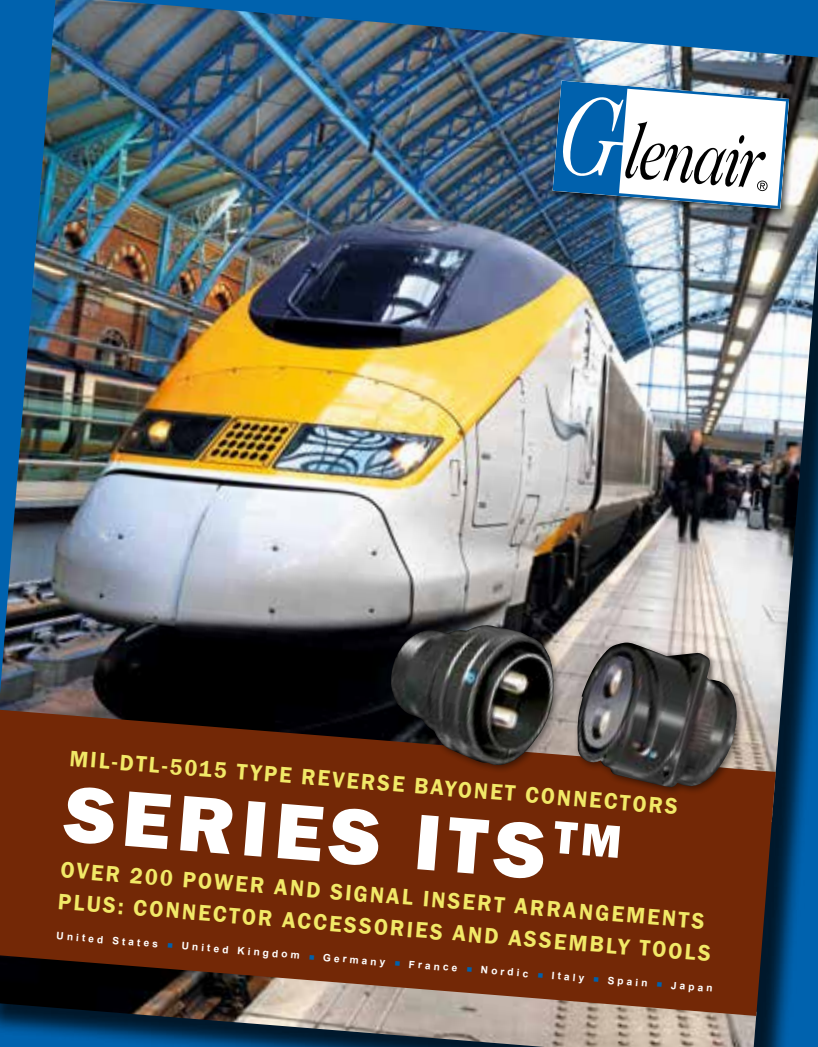
ARMORLITE™



This special industrial-strength capability guide provides a comprehensive overview of Glenair's "no gap" family of interconnect solutions for rugged industrial, rail, geophysical and power industry applications. No other interconnect manufacturer in the world offers such a broad range of connectors, backshells, wire protection conduit, shrink boots, tools and more for harsh-environment industrial applications. All our solutions are backed with our high availability customer service model, which includes in-stock inventory for thousands of critical part numbers, no dollar or quantity minimum orders, free samples upon request, free engineering and application development and more. Contact the factory or our industrial/rail product team for application engineering assistance.

More Options Than Ever Before!

Glenair Commercial Series ITS Reverse Bayonet Connectors



Glenair

MIL-DTL-5015 TYPE REVERSE BAYONET CONNECTORS

SERIES ITS™

OVER 200 POWER AND SIGNAL INSERT ARRANGEMENTS
PLUS: CONNECTOR ACCESSORIES AND ASSEMBLY TOOLS

United States • United Kingdom • Germany • France • Nordic • Italy • Spain • Japan



Worldwide Sales: Glenair Italia S.p.A. - Bologna Headquarter, Tel: +39-051-782811 Email: sales@glenair.it

Italy Sales: Glenair Italia S.p.A. - Milan Sales Office, Tel: +39-02-91082121 Email: sales@glenair.it

North American Sales: Glenair Connecticut, Tel: 203-741-1115 Email: sales@glenair.com

www.glenair.com - www.glenair.it

A World of Interconnect Solutions



MISSION-CRITICAL INTERCONNECT SOLUTIONS

Glenair, Inc.

1211 Air Way • Glendale, California • 91201-2497

Telephone: 818-247-6000 • Fax: 818-500-9912 • sales@glenair.com

www.glenair.com

Glenair Power Products Group

20 Sterling Drive
Wallingford, CT
06492

Telephone:
203-741-1115
Facsimile:
203-741-0053
sales@glenair.com

Glenair UK Ltd

40 Lower Oakham Way
Oakham Business Park
Mansfield, Notts
NG18 5BY England

Telephone:
+44-1623-638100
Facsimile:
+44-1623-638111
sales@glenair.co.uk

Glenair Microway Systems

7000 North Lawndale Avenue
Lincolnwood, IL
60712

Telephone:
847-679-8833
Facsimile:
847-679-8849

Glenair Nordic AB

Gustav III : S Boulevard 46
SE-169 27 Solna
Sweden

Telephone:
+46-8-50550000
sales@glenair.se

Glenair Electric GmbH

Schaberweg 28
61348 Bad Homburg
Germany

Telephone:
06172 / 68 16 0
Facsimile:
06172 / 68 16 90
info@glenair.de

Glenair Iberica

C/ La Vega, 16
45612 Velada
Spain

Telephone:
+34-925-89-29-88
Facsimile:
+34-925-89-29-87
sales@glenair.es

Glenair Italia S.p.A.

Via Del Lavoro, 7
40057 Quarto Inferiore –
Granarolo dell'Emilia
Bologna, Italy

Telephone:
+39-051-782811
Facsimile:
+39-051-782259
info@glenair.it

Glenair France SARL

7, Avenue Parmentier
Immeuble Central Parc #2
31200 Toulouse
France

Telephone:
+33-5-34-40-97-40
Facsimile:
+33-5-61-47-86-10
sales@glenair.fr

Glenair Korea

B-1304 Gunpo IT Valley
148 Gosan-Ro, Gunpo-Si
Kyunggi-Do, Korea
435-733

Telephone:
+82-31-8068-1090
Facsimile:
+82-31-8068-1092
sales@glenair.kr

Mouser Electronics

Authorized Distributor

Click to View Pricing, Inventory, Delivery & Lifecycle Information:

[Glenair:](#)

[ITB02T-16](#) [ITB02T-32](#) [ITB02T-36](#) [IT40460-10](#) [IT40460-24](#)