

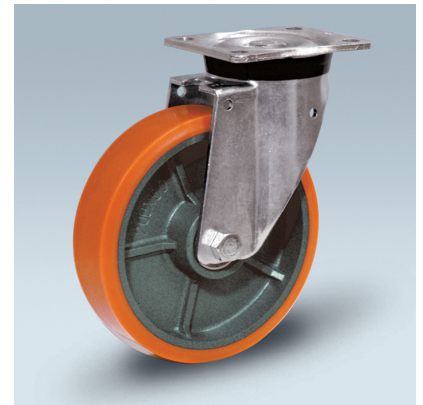
## WHEEL Z 150X50/60 BB SWIVEL FORK P60

### Wheel series Z

Cast iron wheels with polyurethane coating 95 Sh.A available with shielded precision ball bearings.  
Wheel fitted with ball bearings.

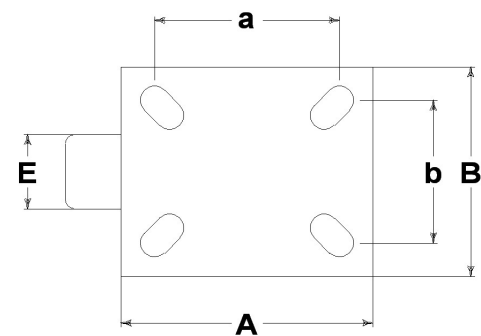
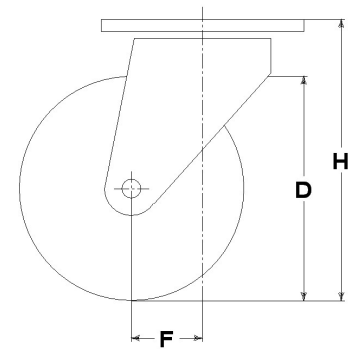
### Castor series P60

P60 series, heavy duty pressed steel forks, swivel with hardened steel double races & 'water resistant' protections. Finish: zincplated.



### Technical data

|                               |     |            |
|-------------------------------|-----|------------|
| Wheel diameter                | D   | 150 mm     |
| Tyre width                    | E   | 50,0 mm    |
| Bearing seat diameter         | s   | 47 mm      |
| Bore diameter                 | d   | 20 mm      |
| Outer faces bearings distance | V   | 54 mm      |
| Weight article                |     | 5,470 kg   |
| Hub width                     | L   | 60 mm      |
| Overall height                | H   | 203 mm     |
| Top plate outer dimensions    | AxB | 135x110 mm |
| Bolt hole spacing             | axb | 105x75 mm  |
| Bolt hole spacing             | axb | 105x80 mm  |
| Fixing bolt diameter          | g   | M12        |
| Offset                        | F   | 64 mm      |
| Fork width                    | U   | 60 mm      |
| Load Capacity                 |     | 700 kg     |



### Related Articles

Spare part wheel: **7020CC**  
Version with footguard: **23867PP**  
Version with brake: **23867FR**  
Version with footguard: **23867FRPP**  
Version with brake: **23867FV**  
Version with footguard: **23867FVPP**  
Directional Lock: **P3961**

### GENERAL INFORMATION / RECOMMENDATIONS AND WARNINGS

The cited text and the complete catalogue in their most up-dated versions are available in our web-site [www.lagspa.it/downloads](http://www.lagspa.it/downloads). The dimensions, descriptions, specifications and illustrations herein are indicative and subject to variations without notice. The fact that products are illustrated herein does not necessarily imply they are available from stock nor does it place us under any obligation to supply them. Tests carried out refer to the original products with original accessories: the replacement of one of the components with others of different manufacture might prevent the same results from being achieved and will automatically invalidate any guarantee. **Please contact our technical service concerning any special application.**